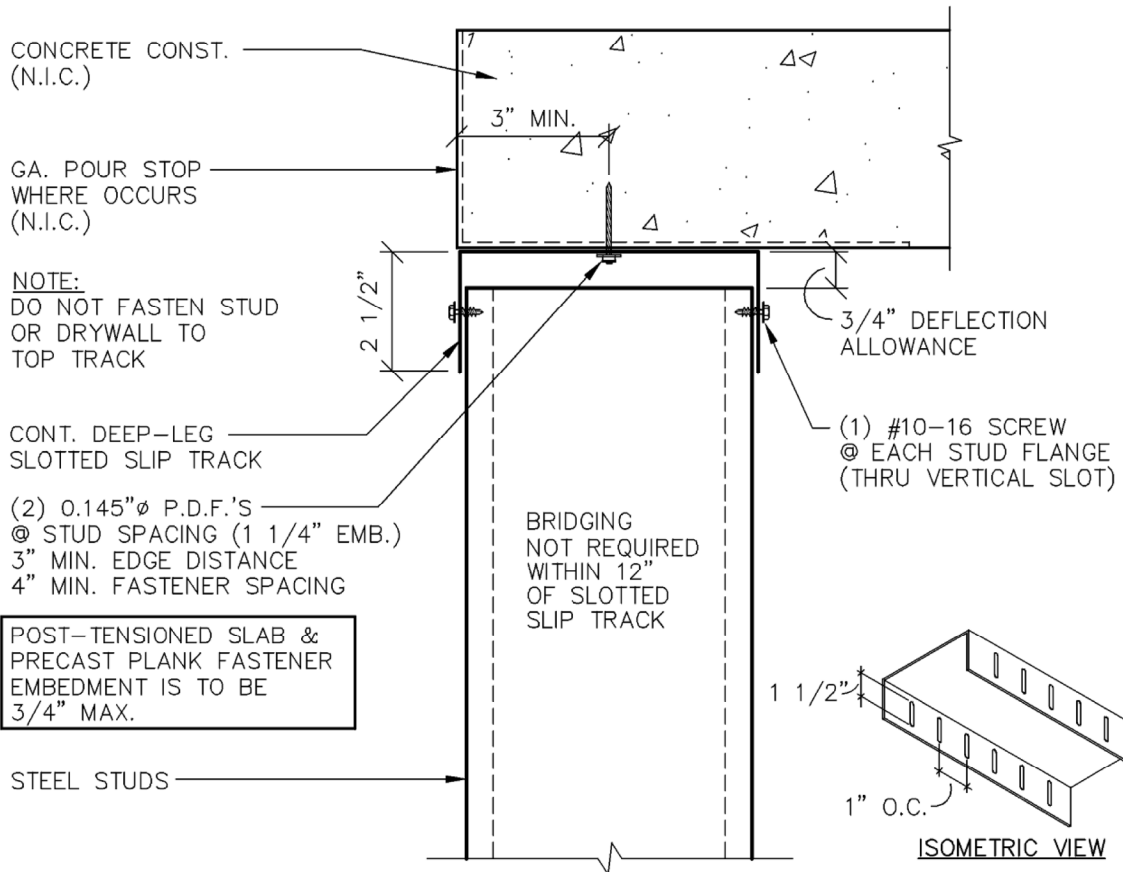


**@ JAMB CONDITIONS**



**TYPICAL FRAMING**

**TELLING™**

**BUILDSTRONG**

6272 CENTER STREET  
MENTOR, OHIO 44060  
PHONE: 440-974-3370

DETAIL IS FOR REFERENCE ONLY. NOT FOR CONSTRUCTION.

DETAIL PROVIDED BY:

**EXCEL**  
ENGINEERING

100 CAMELOT DRIVE  
FOND DU LAC, WI 54935  
PHONE: (920) 926-9800

**@ CONCRETE SLOTTED SLIP TRACK DETAIL**