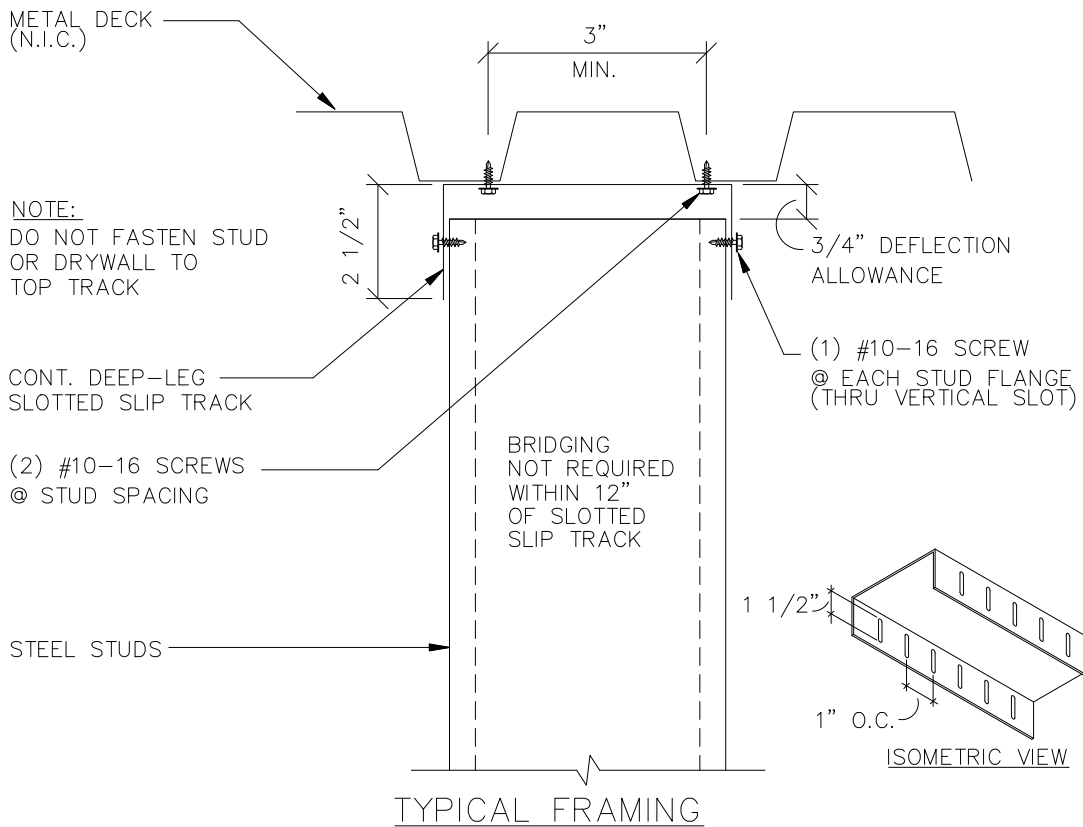


@ JAMB CONDITIONS



@ METAL DECK
SLOTTED SLIP TRACK DETAIL

TELLING™
BUILDSTRONG
6272 CENTER STREET
MENTOR, OHIO 44060
PHONE: 440-974-3370

DETAIL IS FOR REFERENCE ONLY. NOT FOR CONSTRUCTION.
DETAIL PROVIDED BY:
EXCEL ENGINEERING
100 CAMELOT DRIVE
FOND DU LAC, WI 54935
PHONE: (920) 926-9800