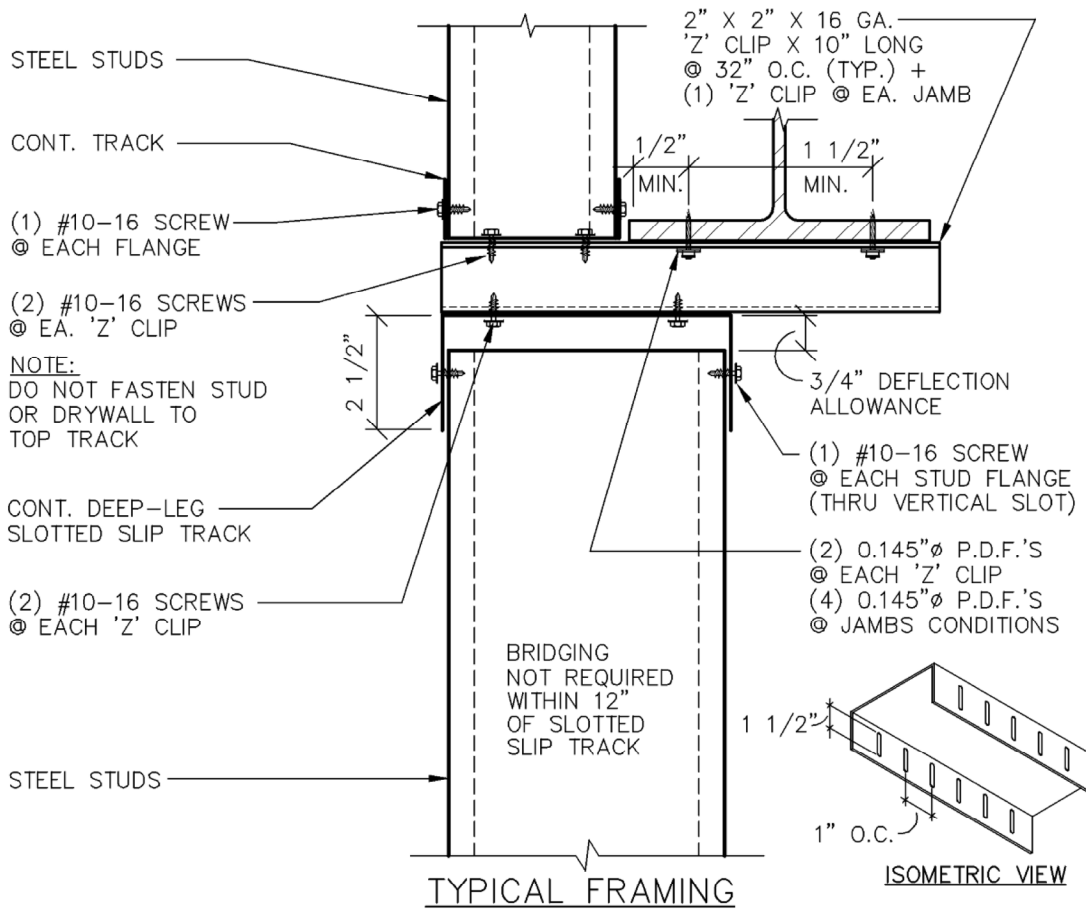


@ JAMB CONDITIONS



TELLING™

BUILDSTRONG

6272 CENTER STREET
MENTOR, OHIO 44060
PHONE: 440-974-3370

DETAIL IS FOR REFERENCE ONLY. NOT FOR CONSTRUCTION.

DETAIL PROVIDED BY:

EXCEL ENGINEERING

100 CAMELOT DRIVE
FOND DU LAC, WI 54935
PHONE: (920) 926-9800

@ STEEL BEAM W/ INFILL & Z-CLIP SLOTTED SLIP TRACK DETAIL