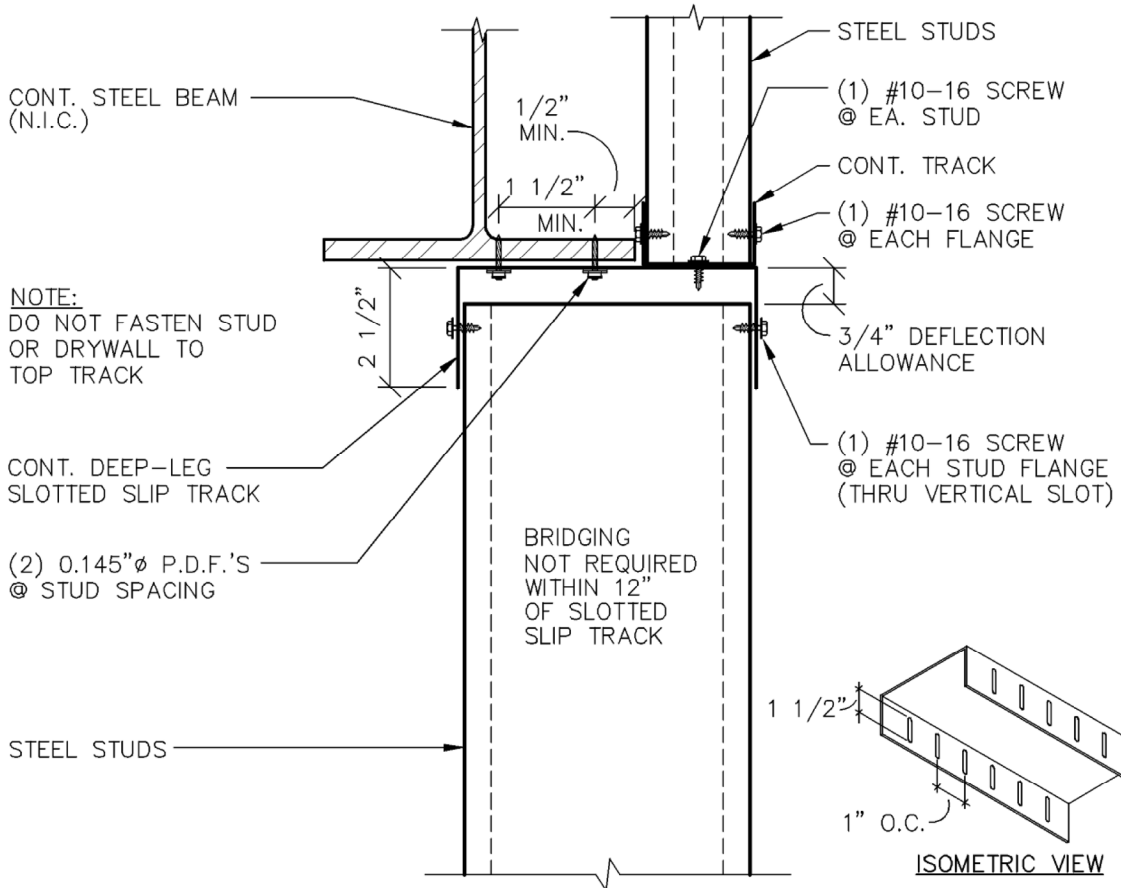


@ JAMB CONDITIONS



TYPICAL FRAMING

TELLING™



BUILDSTRONG

6272 CENTER STREET  
MENTOR, OHIO 44060  
PHONE: 440-974-3370

DETAIL IS FOR REFERENCE ONLY. NOT FOR CONSTRUCTION.

DETAIL PROVIDED BY:



100 CAMELOT DRIVE  
FOND DU LAC, WI 54935  
PHONE: (920) 926-9800

@ STEEL BEAM  
SLOTTED SLIP TRACK DETAIL