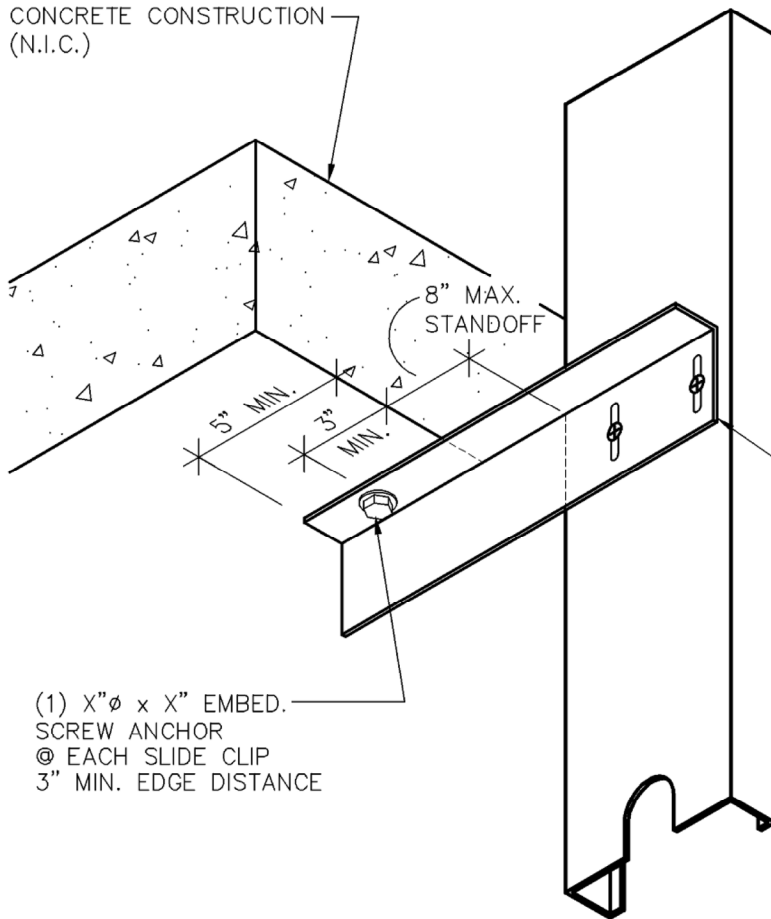


CONCRETE CONSTRUCTION
(N.I.C.)



STEEL STUDS

VERTICAL SLIDE CLIP
INSTALL PER MFG.
SPECIFICATIONS.

◎ JAMB CONDITIONS:
PROVIDE (1) SLIDE CLIP
◎ EA. SIDE OF JAMB
(2) V.S.C. PER JAMB

(1) X"φ x X" EMBED.
SCREW ANCHOR
◎ EACH SLIDE CLIP
3" MIN. EDGE DISTANCE

CONNECTION TO OCCUR
6" MIN. FROM PUNCHOUT.
FOR PUNCHOUT REINFORCING

TELLING™



BUILDSTRONG

6272 CENTER STREET
MENTOR, OHIO 44060
PHONE: 440-974-3370

DETAIL IS FOR
REFERENCE ONLY.
NOT FOR CONSTRUCTION.

DETAIL PROVIDED BY:



100 CAMELOT DRIVE
FOND DU LAC, WI 54935
PHONE: (920) 926-9800

TYPICAL BYPASS @ CONCRETE VERTICAL SLIDE CLIP DETAIL