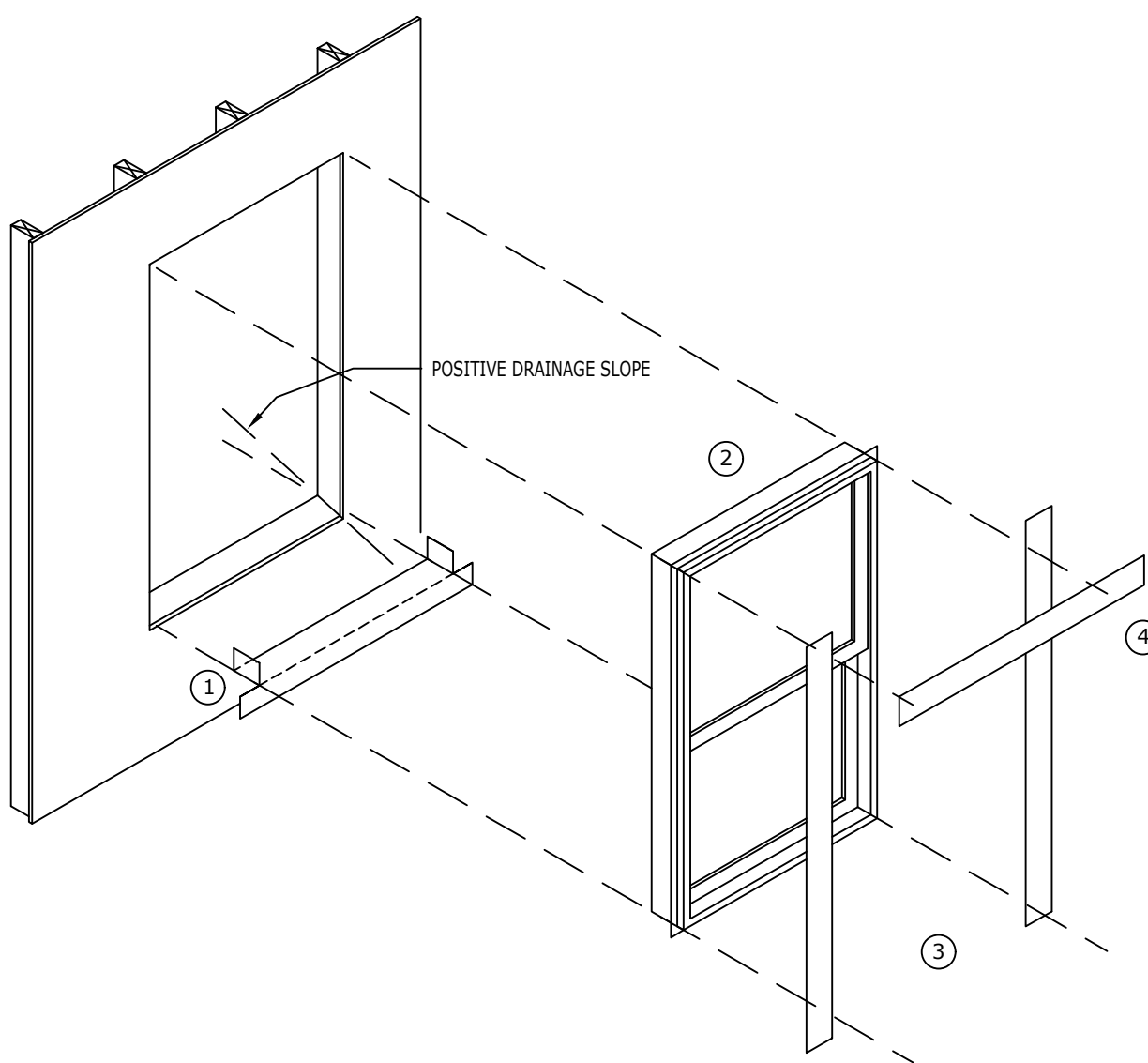


INSTALLATION SEQUENCE FOR STRIP FLASHING TERM[®] MOISTURE / AIR / TERMITE BARRIER TO A FLANGED WINDOW, DOOR, OR FIXTURE:



1. INSTALL POLYGUARD TERM[®] MOISTURE / AIR / TERMITE BARRIER TO COVER THE SLOPED SILL / THRESHOLD, 3-INCHES OF THE WALL FACE, AND 3-INCHES OF EACH JAMB. CHECK FOR NO GAPS OR PINHOLES.
2. INSTALL THE WINDOW, DOOR, OR FIXTURE.
3. INSTALL TERM[®] MOISTURE / AIR / TERMITE BARRIER TO COVER THE FLANGE AND WALL ALONG EACH JAMB AND 3-INCHES ABOVE THE HEAD AND BELOW THE SILL / THRESHOLD.
4. INSTALL TERM[®] MOISTURE / AIR / TERMITE BARRIER TO COVER A MINIMUM OF 3-INCHES OF THE WALL FACE AT THE HEAD AND JAMBS. (WHEN A TWF WILL BE INSTALLED AT THE HEAD FOR A MASONRY FINISH, EXTEND THE HEAD WALL FACE FLASHING COVERAGE TO INTERFACE WITH 2-INCHES OF THE TWF MEMBRANE.)
5. CHECK ALL BARRIER, ESPECIALLY AT CORNERS, FOR NO GAPS OR PINHOLES.

NOTE: THIS ROUGH OPENING WALL IS SHOWN AS FRAME BUT COULD BE MASONRY. THE INSTALLATION SEQUENCE FOR FLASHING IS THE SAME FOR EITHER MATERIAL OF CONSTRUCTION.

FREE THE SURFACES THAT WILL RECEIVE THE FLASHING FROM IRREGULARITIES THAT WOULD INTERFERE WITH A FLAT INTERFACE WITH THE FLASHING, OR POSE A FLASHING PUNCTURE HAZARD. APPLY A COATING OF POLYGUARD 650LT OR SHUR-TAC WATER-BASED LIQUID ADHESIVE TO CLEAN AND DRY SURFACES THAT WILL BE RECEIVING THE FLASHINGS. BASE SELECTION OF LIQUID ADHESIVE ON SUBSTRATE COMPATIBILITY AND VOC REQUIREMENTS.

TFR5 FLASHING AT FLANGED WINDOW, DOOR, OR FIXTURE WITH TERM[®] MOISTURE / AIR / TERMITE BARRIER

©POLYGUARD PRODUCTS, INC.

Polyguard[®]
 Innovation based. Employee owned. Expect more.
 P.O. Box 755 - Ennis, TX 75120
 Phone: 214-515-5000 Fax: 972-875-9425
 Web Site - www.polyguardbarriers.com



The information provided is based on data and knowledge considered to be true and accurate and is offered for the users' consideration, investigation, and verification; but we do not warrant the results to be achieved. Please read all data sheets, statements, suggestions, or recommendations in conjunction with our conditions of sale, which apply to all goods supplied by us.	DRAWING SCALE:
	NOT TO SCALE
	EFFECTIVE DATE:
	03/01/2018
	SUPERCEDES:
	05/31/2017