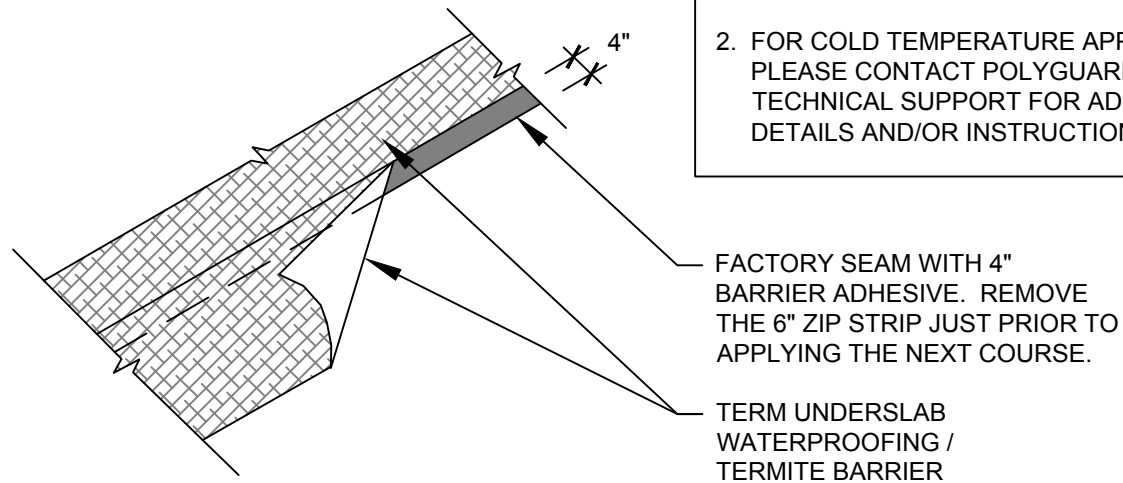


**(A)** SECTION VIEW

**NOTES:**

1. SELF-ADHERING LAPS ARE FORMED WITH EACH SHEET OVERLAP.
2. FOR COLD TEMPERATURE APPLICATIONS, PLEASE CONTACT POLYGUARD TERM TECHNICAL SUPPORT FOR ADDITIONAL DETAILS AND/OR INSTRUCTIONS.



**(B)** ISOMETRIC VIEW

FACTORY SEAM WITH 4" BARRIER ADHESIVE. REMOVE THE 6" ZIP STRIP JUST PRIOR TO APPLYING THE NEXT COURSE.

TERM UNDERSLAB WATERPROOFING / TERMITE BARRIER

**TU1**

**TERM<sup>®</sup> UNDERSLAB WATERPROOFING / TERMITE BARRIER - SIDE LAP / FACTORY SEAM**

©POLYGUARD PRODUCTS, INC.

**Polyguard<sup>®</sup>**  
 Innovation based. Employee owned. Expect more.  
 P.O. Box 755 - Ennis, TX 75120  
 Phone: 214-515-5000 Fax: 972-875-9425  
 Web Site - www.polyguardbarriers.com



The information provided is based on data and knowledge considered to be true and accurate and is offered for the users' consideration, investigation, and verification; but we do not warrant the results to be achieved. Please read all data sheets, statements, suggestions, or recommendations in conjunction with our conditions of sale, which apply to all goods supplied by us.	<b>DRAWING SCALE:</b>
	NOT TO SCALE
	<b>EFFECTIVE DATE:</b>
	03/13/2019
	<b>SUPERCEDES:</b>
	03/01/2019