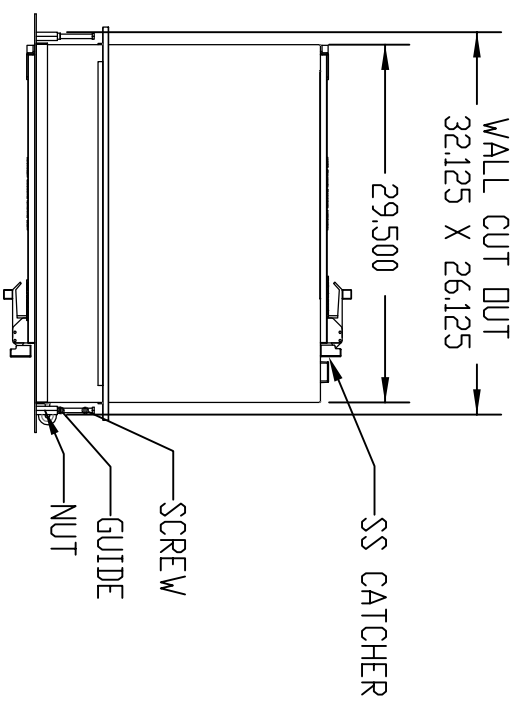
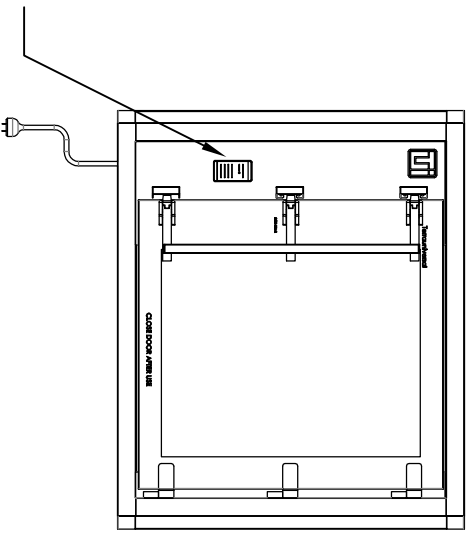
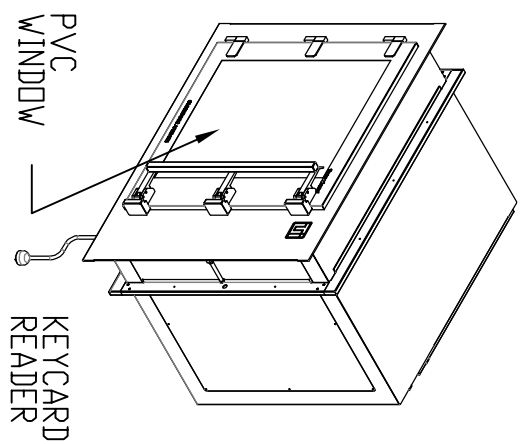
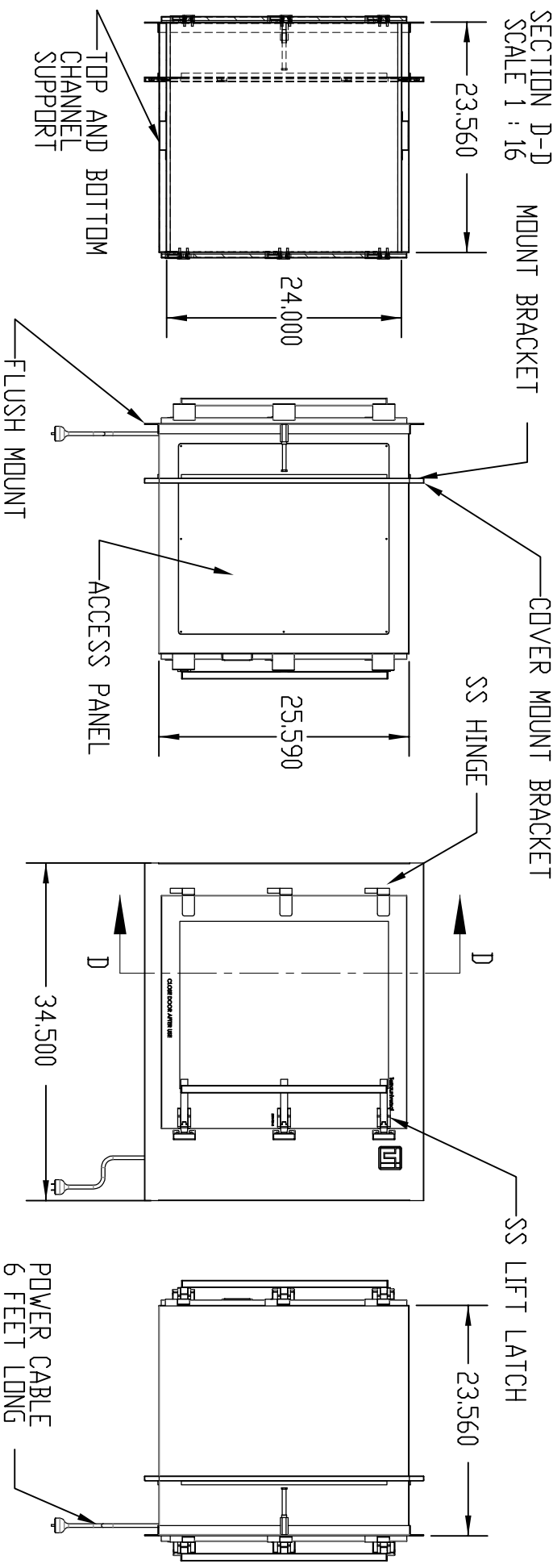


SECTION D-D  
SCALE 1 : 16

MOUNT BRACKET

COVER MOUNT BRACKET



REV#	DESCRIPTION	DATE	BY
01	INITIAL RELEASE	2/24/16	JR

MATERIAL SPEC.

FINISH SPEC.

UNLESS OTHERWISE SPECIFIED, DIMENSIONS ARE IN INCHES

304SS	ELECTROPOLISH
-------	---------------

TOLERANCES IN INCHES	DECIMALS ±	FRACTIONS ±	FRACTIONS ±	FRACTIONS ±
XX	.03	X/16	1°	
XXX	.010	X/32	1/64	

ISSUED BY:	DATE:
JUAN REAL	5/6/2016



Terra  
Universal

TITLE	SCALE	SHEET
PASS-THROUGH: EP304SS SMART, ID 19.5" W X ID 24 D X ID 24 H ISOLATED INTERLOCK	A	1 OF 18

2635-10A-2