

SECTION D-D
SCALE 1 : 24

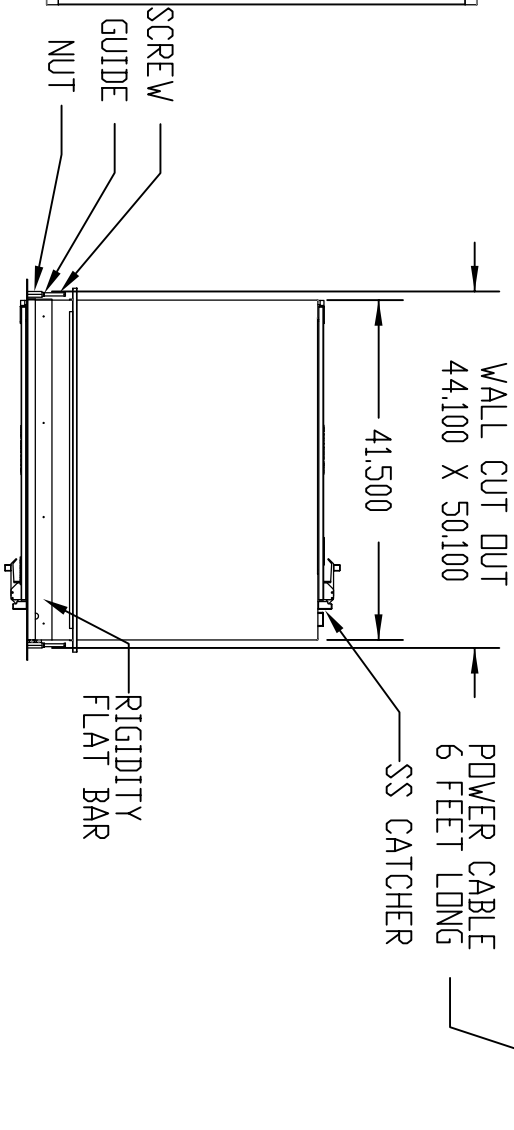
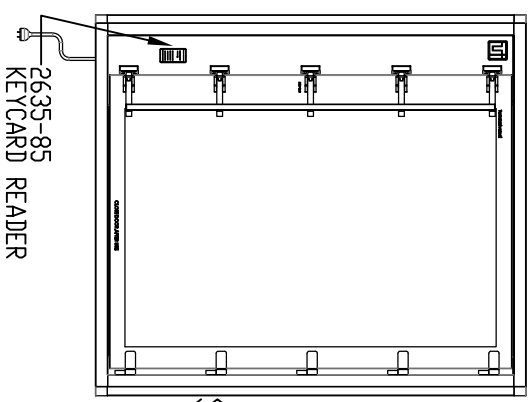
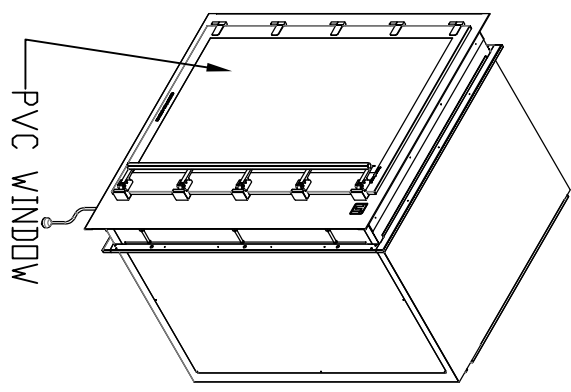
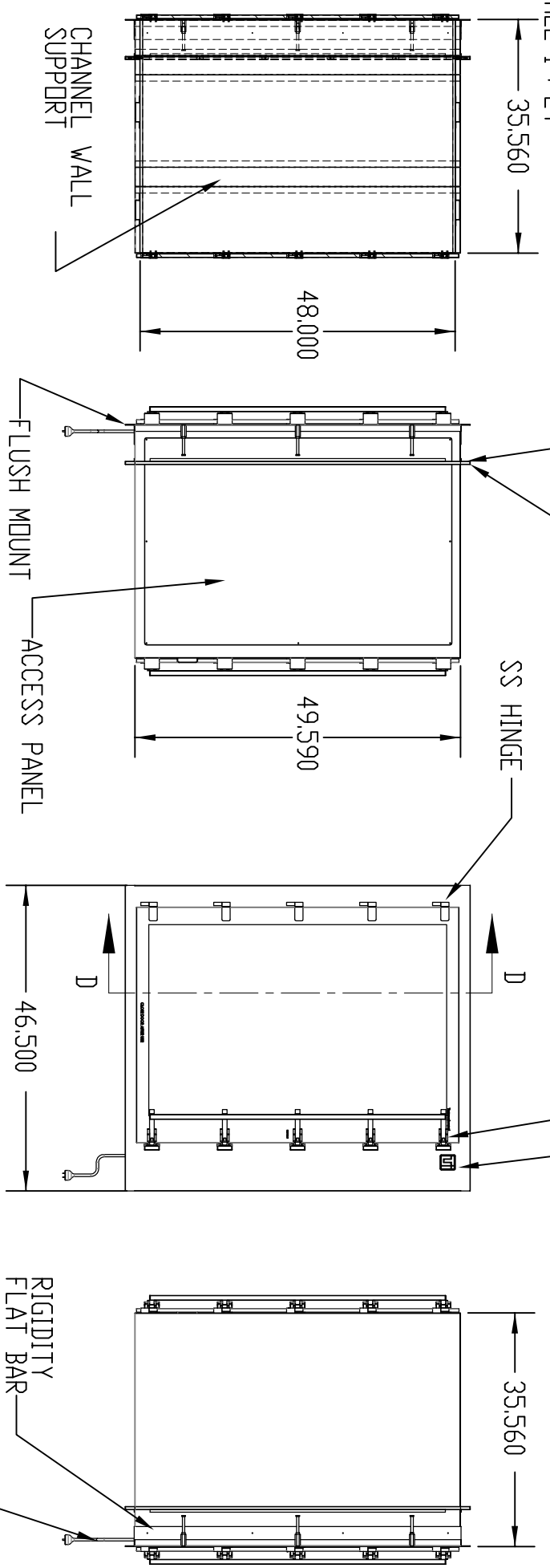
ALL SHOPS

MOUNT BRACKET

COVER MOUNT BRACKET

SS LIFT LATCH

INDICATOR LED LOGO



REV#	DESCRIPTION	DATE	BY
NC	INITIAL RELEASE	2-24-16	JR
		11-5-15	J

MATERIAL SPEC.	FINISH SPEC.
304SS	ELECTROPOLISH

UNLESS OTHERWISE SPECIFIED, DIMENSIONS ARE IN INCHES	TOLERANCES IN INCHES
JXX DECIMALS ±	.03
XXX DECIMALS ±	.010
XXXX DECIMALS ±	.005
ISSUED BY:	JUAN REAL
DATE:	5/6/2016



Terra
Universal
Proprietary & Confidential
No part of this document may be reproduced, stored in a retrieval system, or transmitted in any form or by any means, electronic, mechanical, photocopying, recording, or by any information storage and retrieval system, without the prior written permission of Terra Universal. Disclosure or Copying Prohibited.

TITLE	SCALE	SHEET
PASS-THROUGH, EP304SS SMART, ID 31,500*W X ID 36D X ID 48H ISOLATED INTERLOCK	A	1 OF 18