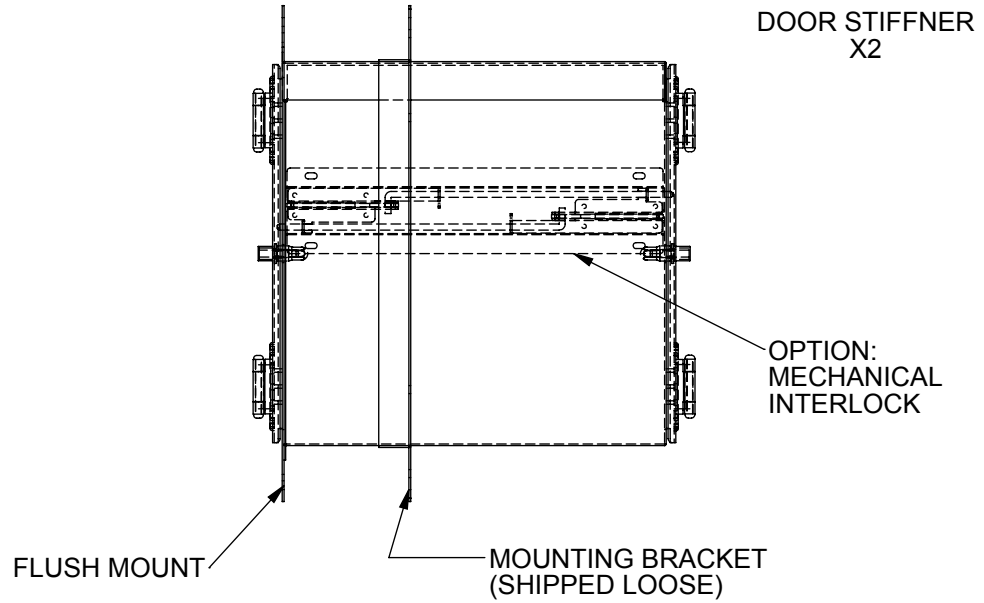


PA01536  
CHROME HINGE  
X4



REVISIONS			
RV#	DESCRIPTION	DATE	BY
NC	INITIAL RELEASE	9-15-16	JR
○			

MATERIAL SPEC.	FINISH SPEC.
STAINLESS STEEL SD PVC	304 FINISH

UNLESS OTHERWISE SPECIFIED, DIMENSIONS ARE IN INCHES			
TOLERANCES ON:			
.XX	DECIMALS ± .03	X' ±	1"
.XXX	DECIMALS ± .010	X/X ±	1/64
SIGNATURES		DATE	
ISSUED BY:	JUAN R	9-15-16	
REF #:			

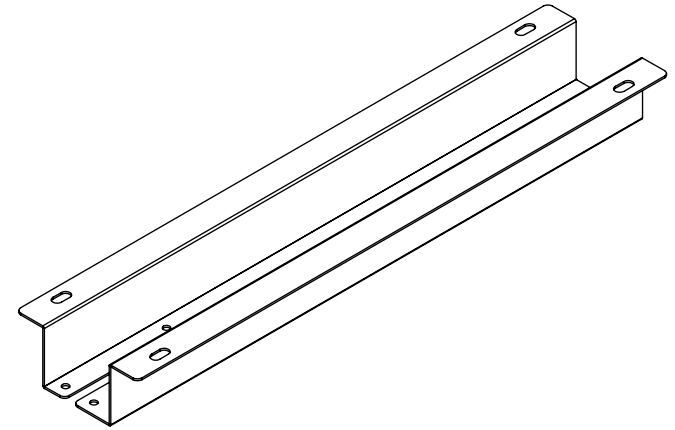
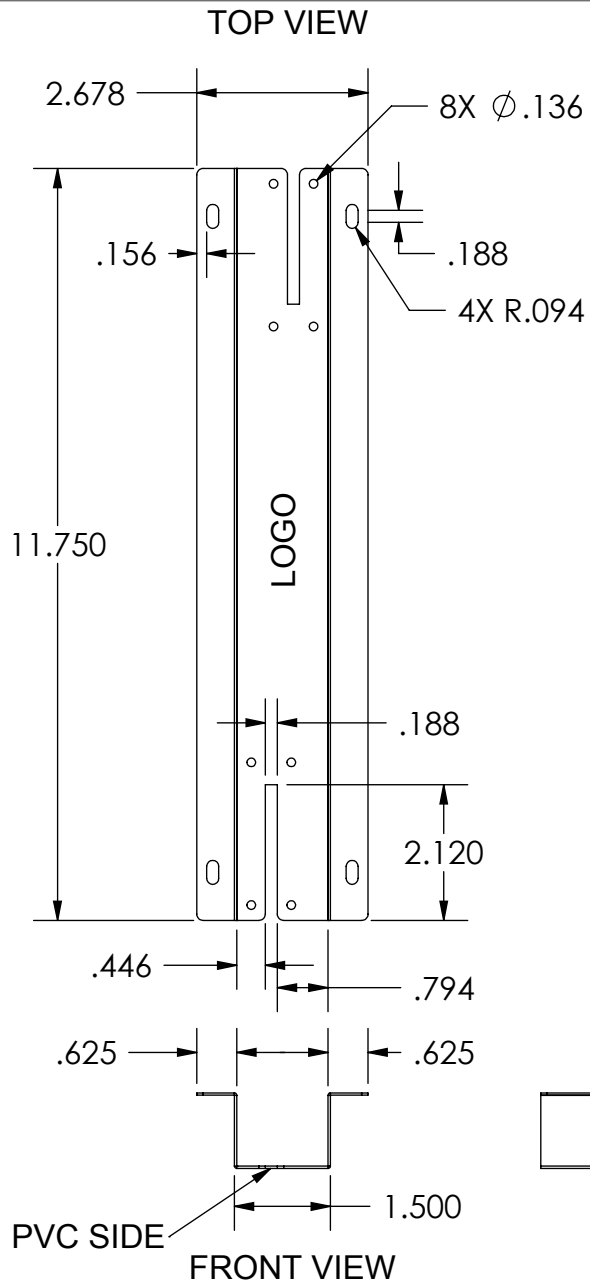


PROPRIETARY & CONFIDENTIAL  
ALL RIGHTS RESERVED BY  
TERRA UNIVERSAL  
DISCLOSURE OR COPYING PROHIBITED

TITLE	
PASS-THROUGH 304SS, WALL MOUNT VALULINE 12"W x 12"D x 12"H	
A	2634-42
SCALE	SHEET 1 OF 9

SHEET METAL	
FOLDER #	DRAWING #
PROGRAM #	SHEET #
PROG. #	PUNCH ONLY
067/2634-23-0001	
MAT'L	20GA 304SS 1PVC
S/S	12.750 x 7.000
P/S	11.750 x 4.850 2.00 XS
BR	1/32
SB	0.065 @ 90°
M/P	1
NOTES	LASER

1 REQ.



**MAIN INTERLOCK HOUSING**

REVISIONS			
RV#	DESCRIPTION	DATE	BY
NC	INITIAL RELEASE	9-15-16	JR

MATERIAL SPEC.	FINISH SPEC.
STAINLESS STEEL	304 FINISH

UNLESS OTHERWISE SPECIFIED, DIMENSIONS ARE IN INCHES	
TOLERANCES ON:	
.XX DECIMALS ± .03	X' ± 1"
.XXX DECIMALS ± .010	X/X ± 1/64
SIGNATURES	DATE
ISSUED BY: JUAN REAL	9-15-16
REF #:	

**Terra Universal**

PROPRIETARY & CONFIDENTIAL  
ALL RIGHTS RESERVED BY  
TERRA UNIVERSAL  
DISCLOSURE OR COPYING PROHIBITED

TITLE	
PASS-THROUGH 304SS, WALL MOUNT VALULINE 12"W x 12"D x 12"H	
SCALE	2634-42
	SHEET 2 OF 9

SHEET METAL

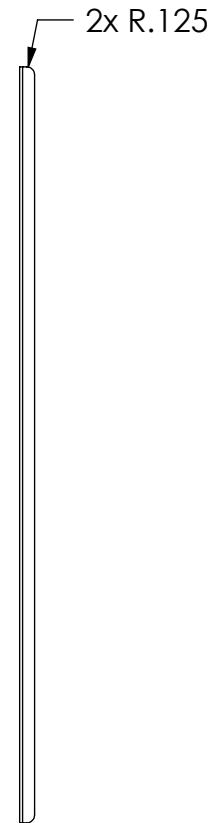
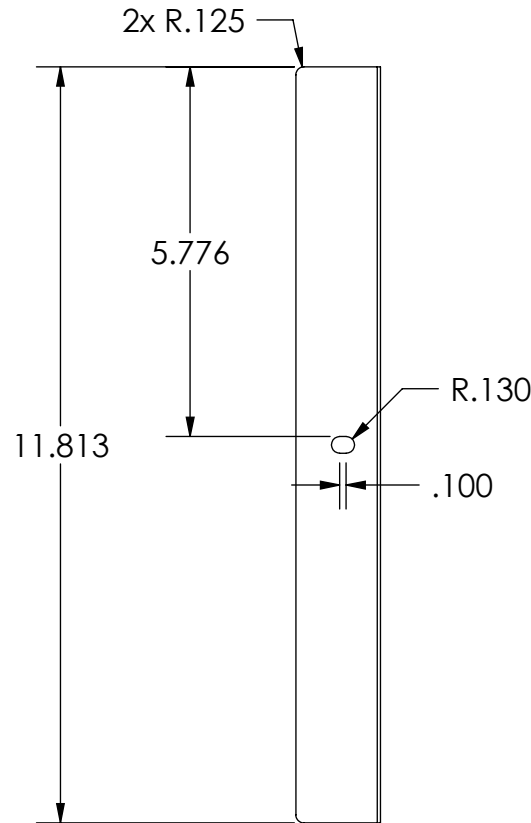
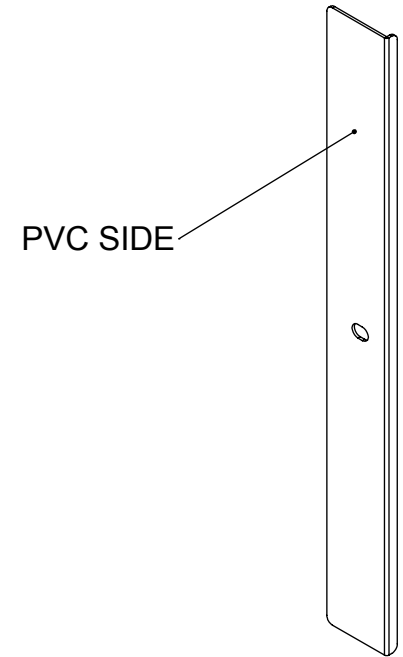
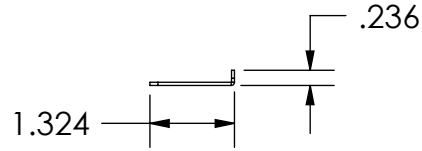
FOLDER # DRAWING # SHEET #  
 PROGRAM # xxxxxxxx-xx-xxxxx-x-0xxxxx  
 PROG. # PUNCH ONLY

067/2634-23-0002

MAT'L	18GA 304SS 1PVC
S/S	13.000 X 3.5000
P/S	11.813 X 1.479 2.00 XS
BR	1/32
SB	0.080 @ 90°
M/P	2
NOTES	LASER

2 REQ.

TOP VIEW



FRONT VIEW

RIGHT SIDE VIEW

REVISIONS			
RV#	DESCRIPTION	DATE	BY
NC	INITIAL RELEASE	6/30/16	LN

MATERIAL SPEC.	FINISH SPEC.
STAINLESS STEEL	304 FINISH

UNLESS OTHERWISE SPECIFIED, DIMENSIONS ARE IN INCHES	
TOLERANCES ON:	
.XX DECIMALS ± .03	X' ± 1"
.XXX DECIMALS ± .010	X/X ± 1/64
SIGNATURES	DATE
ISSUED BY: LEO NGUYEN	6/30/16
REF #:	91853



PROPRIETARY & CONFIDENTIAL  
 ALL RIGHTS RESERVED BY  
 TERRA UNIVERSAL  
 DISCLOSURE OR COPYING PROHIBITED

TITLE	PASS-THROUGH 304SS, WALL MOUNT VALULINE 12"W x 12"D x 12"H
SCALE	A 2634-42
SHEET	3 OF 9

SHEET METAL

FOLDER # \_\_\_\_\_ DRAWING # \_\_\_\_\_ SHEET # \_\_\_\_\_  
 PROG. # \_\_\_\_\_ PUNCH ONLY \_\_\_\_\_  
 PROGRAM # xxxxxxxx-xx-xxxxx-x-0xxxx

041/2634-42-0003

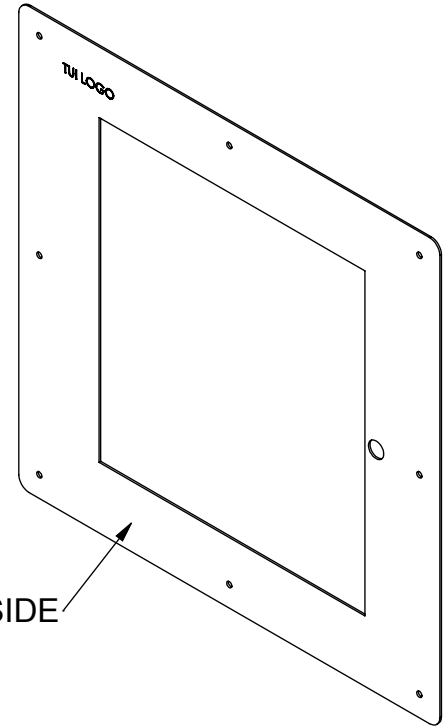
MAT'L	16GA 304SS 1PVC
S/S	16.500 X 17.000
P/S	15.500 X 15.500
BR	1/32
SB	0.106 @ 90°
M/P	1
NOTES	LASER

TOP VIEW



15.500

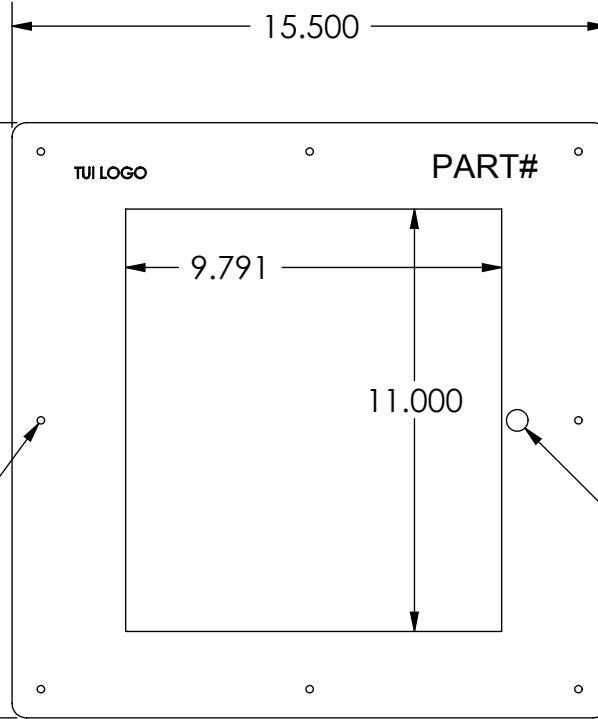
4X R.375



PVC SIDE

1 REQ.

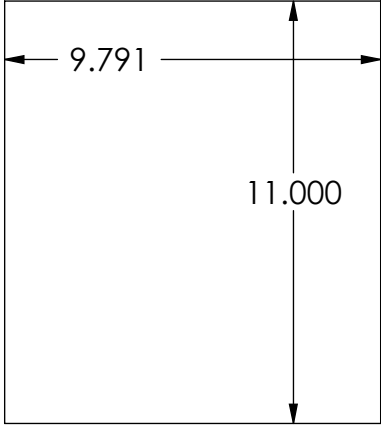
15.500



8x Ø.193

TUI LOGO

PART#



11.000

Ø.563

FRONT VIEW

FRONT COVER

REVISIONS			
RV#	DESCRIPTION	DATE	BY
NC	INITIAL RELEASE	9-15-16	JR
○			

MATERIAL SPEC.
STAINLESS STEEL

FINISH SPEC.
304 FINISH

UNLESS OTHERWISE SPECIFIED, DIMENSIONS ARE IN INCHES	
TOLERANCES ON:	
.XX DECIMALS ± .03	X' ± 1"
.XXX DECIMALS ± .010	X/X ± 1/64
SIGNATURES	DATE
ISSUED BY: JUAN R	9-15-16
REF #:	



PROPRIETARY & CONFIDENTIAL  
 ALL RIGHTS RESERVED BY  
 TERRA UNIVERSAL  
 DISCLOSURE OR COPYING PROHIBITED

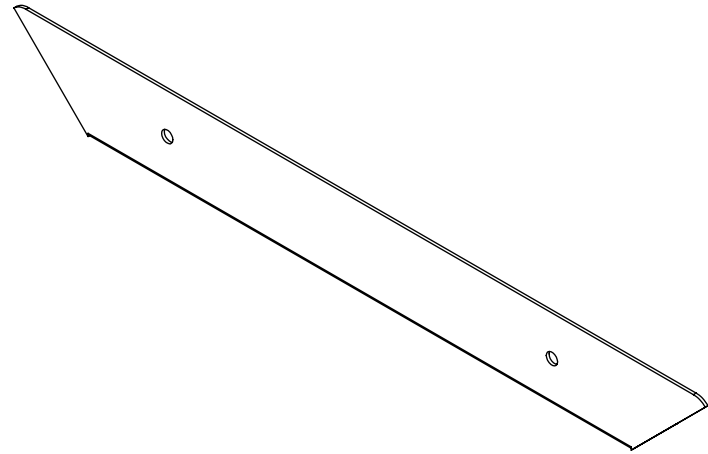
TITLE	PASS-THROUGH 304SS, WALL MOUNT VALULINE 12"W x 12"D x 12"H
SCALE	A
	2634-42
SHEET	4 OF 9

SHEET METAL

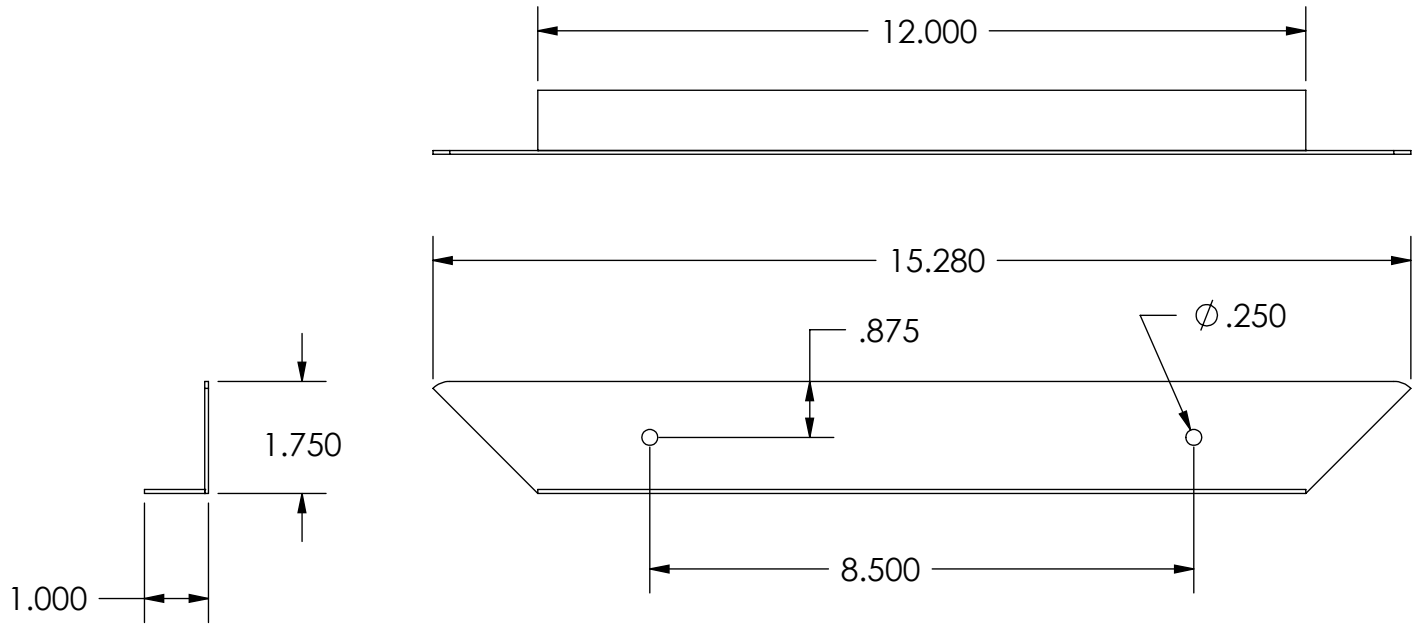
FOLDER # \_\_\_\_\_ DRAWING # \_\_\_\_\_ SHEET # \_\_\_\_\_  
 PROG. # \_\_\_\_\_ PUNCH ONLY \_\_\_\_\_  
 PROGRAM # xxxxxxxx-xx-xxxxx-x-xxxxx

041/2634-42-O004

MAT'L	14GA 304SS 1PVC
S/S	16.000 X 14.000
P/S	15.280 X 2.645
BR	1/32
SB	0.125 @ 90°
M/P	4
NOTES	LASER



4 REQ.



REVISIONS			
RV#	DESCRIPTION	DATE	BY
NC	INITIAL RELEASE	9-15-16	JR
○			

MATERIAL SPEC.	FINISH SPEC.
STAINLESS STEEL	304 FINISH

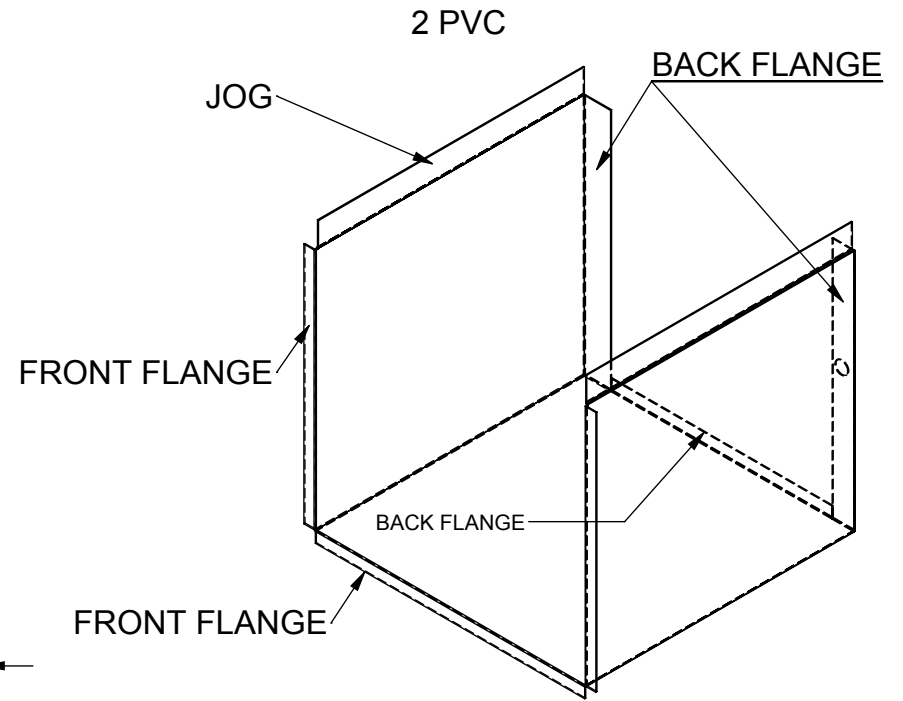
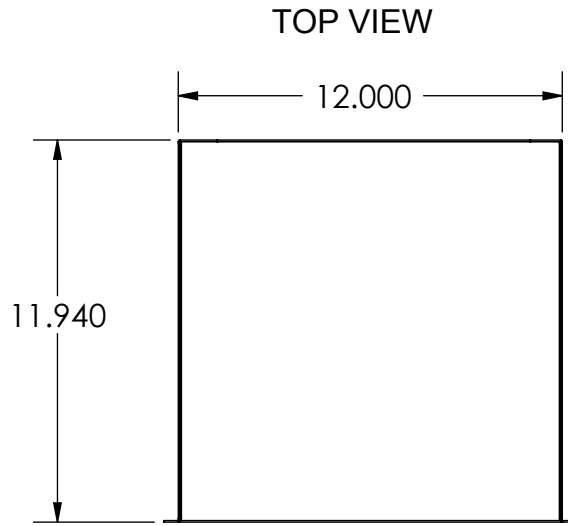
UNLESS OTHERWISE SPECIFIED, DIMENSIONS ARE IN INCHES	
TOLERANCES ON:	
.XX DECIMALS ± .03	X' ± 1"
.XXX DECIMALS ± .010	X/X ± 1/64
SIGNATURES	DATE
ISSUED BY: JUAN R	9-16-16
REF #:	



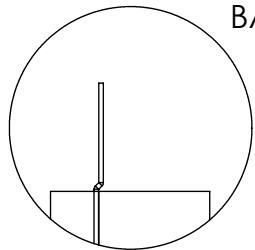
PROPRIETARY & CONFIDENTIAL  
 ALL RIGHTS RESERVED BY  
 TERRA UNIVERSAL  
 DISCLOSURE OR COPYING PROHIBITED

TITLE
PASS-THROUGH 304SS, WALL MOUNT VALULINE 12"W x 12"D x 12"H
A 2634-42
SCALE
SHEET 5 OF 9

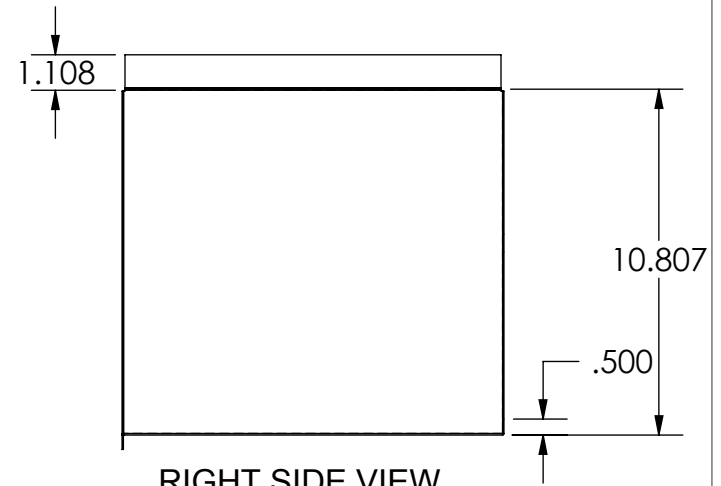
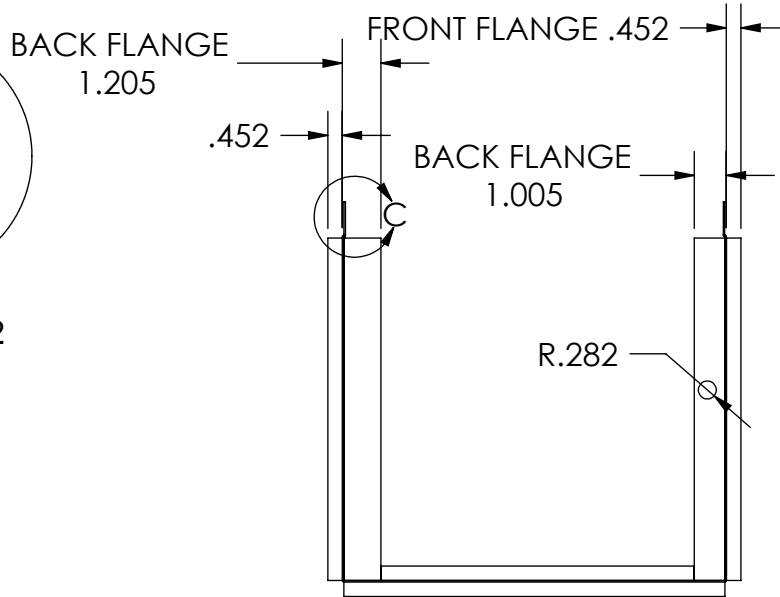
SHEET METAL			
FOLDER #	DRAWING #	SHEET #	PROG. #
PROGRAM # xxxxxxxx-xx-xxxxx-x-xxxxx		PUNCH ONLY	
041/2634-42-0005			
MAT'L	18GA 304SS 2PVC		
S/S	15.000 X 37.000		
P/S	13.485 X 35.621		
BR	1/32		
SB	0.080 @ 90°		
M/P	1		
NOTES	LASER		



1 REQ.



**DETAIL C**  
SCALE 1 : 2  
**JOG**



**BODY**

REVISIONS				MATERIAL SPEC.	FINISH SPEC.	UNLESS OTHERWISE SPECIFIED, DIMENSIONS ARE IN INCHES TOLERANCES ON:
RV#	DESCRIPTION	DATE	BY			
NC	INITIAL RELEASE	9-15-16	LN	STAINLESS STEEL	304 FINISH	.XX DECIMALS ± .03 X' ± 1"
○						.XXX DECIMALS ± .010 X/X ± 1/64
						SIGNATURES DATE
						ISSUED BY: JUAN R 9-16-16
						REF #:

MATERIAL SPEC.		FINISH SPEC.	
STAINLESS STEEL		304 FINISH	

UNLESS OTHERWISE SPECIFIED, DIMENSIONS ARE IN INCHES TOLERANCES ON:	
.XX DECIMALS ± .03	X' ± 1"
.XXX DECIMALS ± .010	X/X ± 1/64
SIGNATURES	DATE
ISSUED BY: JUAN R	9-16-16
REF #:	

**Terra Universal**

PROPRIETARY & CONFIDENTIAL  
ALL RIGHTS RESERVED BY  
TERRA UNIVERSAL  
DISCLOSURE OR COPYING PROHIBITED

TITLE	
PASS-THROUGH 304SS, WALL MOUNT VALULINE 12"W x 12"D x 12"H	
SCALE	2634-42
SHEET	6 OF 9

SHEET METAL

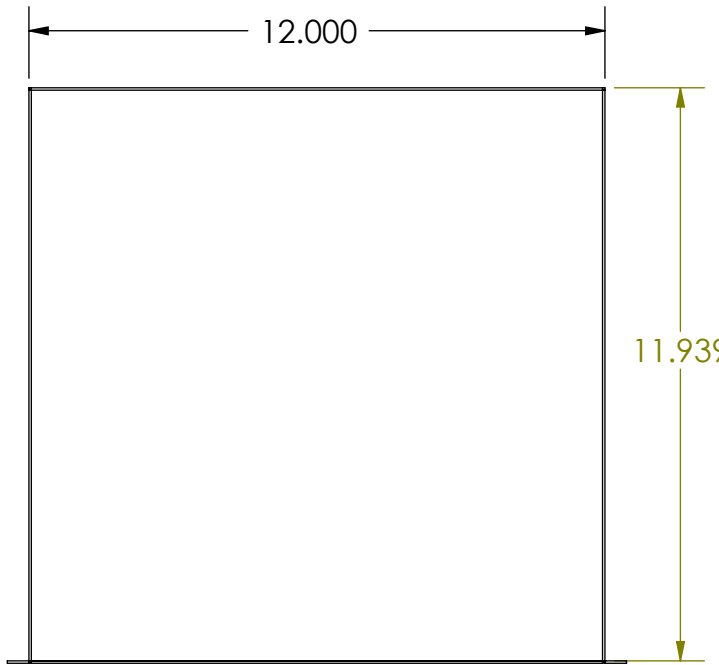
FOLDER # \_\_\_\_\_ DRAWING # \_\_\_\_\_ SHEET # \_\_\_\_\_  
 PROGRAM # xxxxxxxx-xx-xxxxx-x-xxxxx

041/2634-42-0006

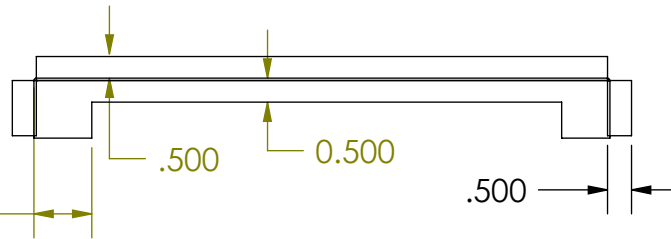
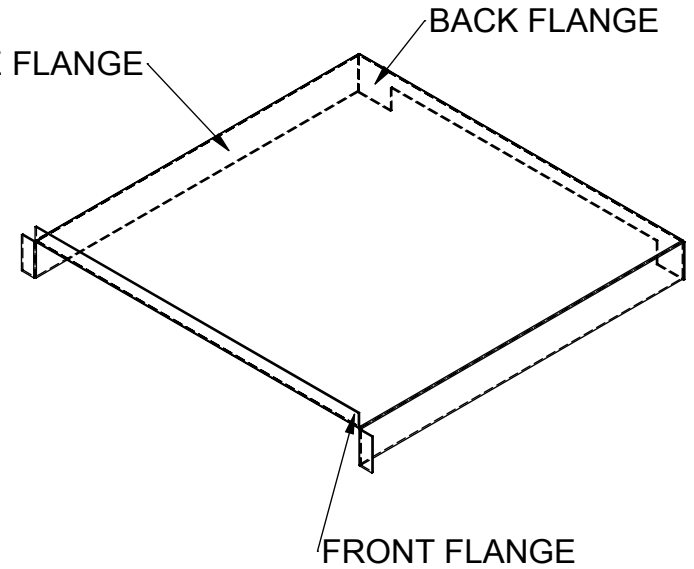
MAT'L	18GA 304SS 2PVC
S/S	15.000 X 15.000
P/S	14.240 X 13.577
BR	1/32
SB	0.080 @ 90°
M/P	1
NOTES	LASER

1 REQ.

TOP VIEW

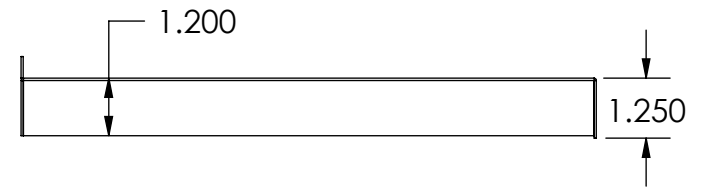


SIDE FLANGE




BACK FLANGE 1.205

FRONT VIEW

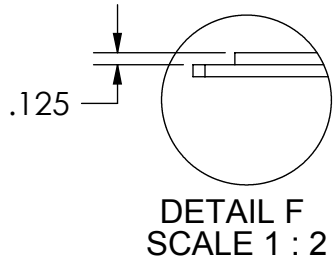


RIGHT SIDE VIEW

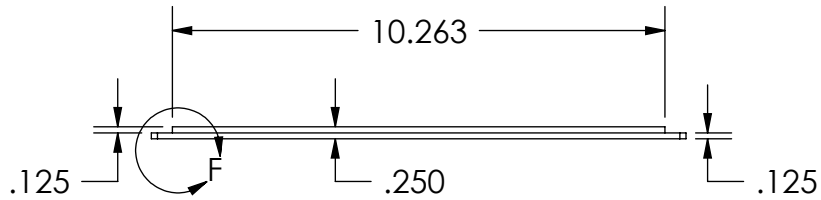
TOP BODY

REVISIONS				MATERIAL SPEC.	FINISH SPEC.	UNLESS OTHERWISE SPECIFIED, DIMENSIONS ARE IN INCHES		 <b>Terra Universal</b> <small>PROPRIETARY &amp; CONFIDENTIAL                  ALL RIGHTS RESERVED BY                  TERRA UNIVERSAL                  DISCLOSURE OR COPYING PROHIBITED</small>	TITLE	
RV#	DESCRIPTION	DATE	BY			TOLERANCES ON:			SCALE	2634-42
NC	INITIAL RELEASE	9-9-16	JR	STAINLESS STEEL	304 FINISH	.XX DECIMALS ± .03	X' ± 1"	A 7 OF 9	PASS-THROUGH 304SS, WALL MOUNT VALULINE 12"W x 12"D x 12"H	
						SIGNATURES	DATE			
						REF #:				

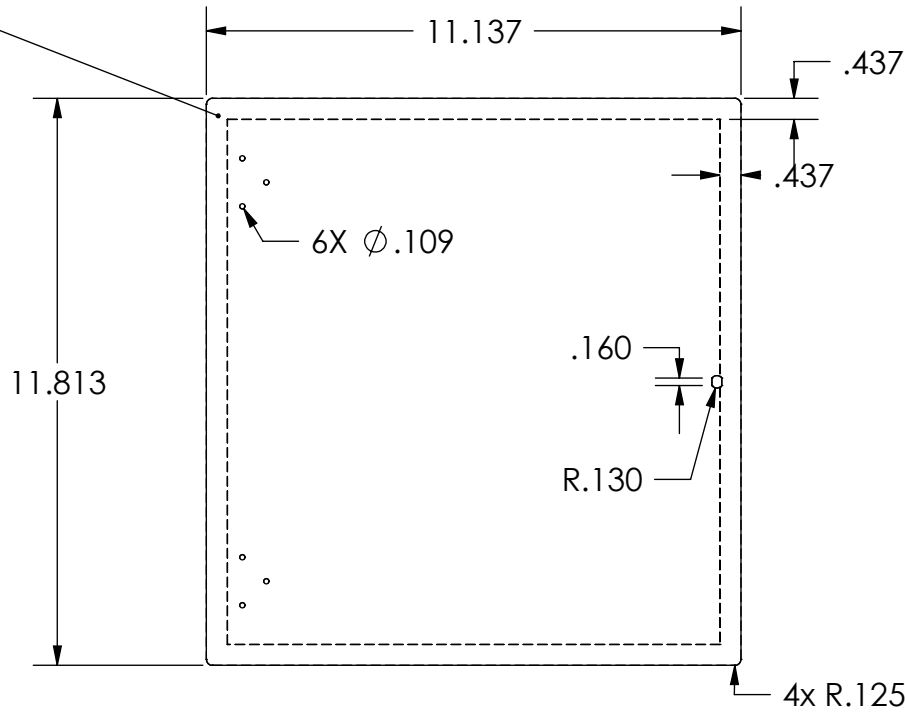
Clear\_Acrylic\_Valuline\_Door.plt



TOP VIEW

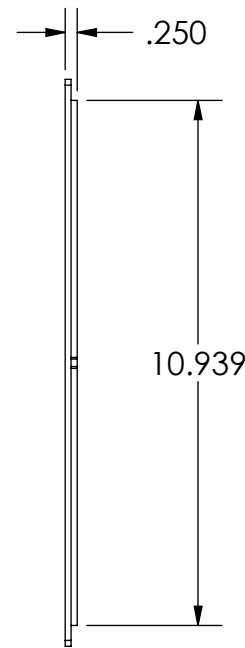


ENGRAVE 1/8"  
ALL AROUND

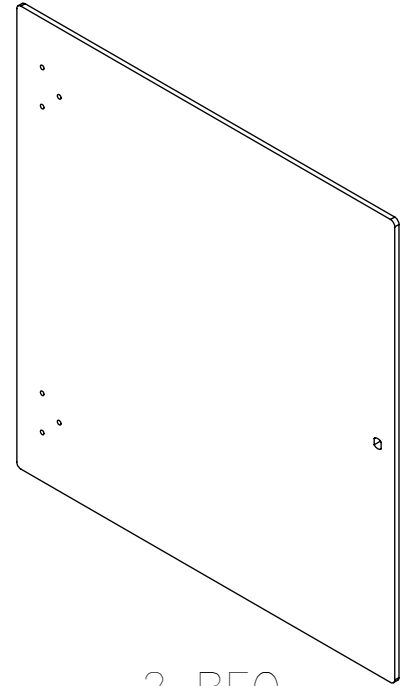


CLEAR ACRYLIC DOOR  
1/4" thick

FRONT VIEW



RIGHT SIDE VIEW



2 REQ.

REVISIONS			
RV#	DESCRIPTION	DATE	BY
NC	INITIAL RELEASE	9-16-16	JR

MATERIAL SPEC.	FINISH SPEC.
CLEAR ACRYLIC	

UNLESS OTHERWISE SPECIFIED, DIMENSIONS ARE IN INCHES			
TOLERANCES ON:			
.XX	DECIMALS ± .03	X' ± 1"	
.XXX	DECIMALS ± .010	X/X ± 1/64	
SIGNATURES		DATE	
ISSUED BY:	JUAN R	DATE	9-9-16
REF #:			

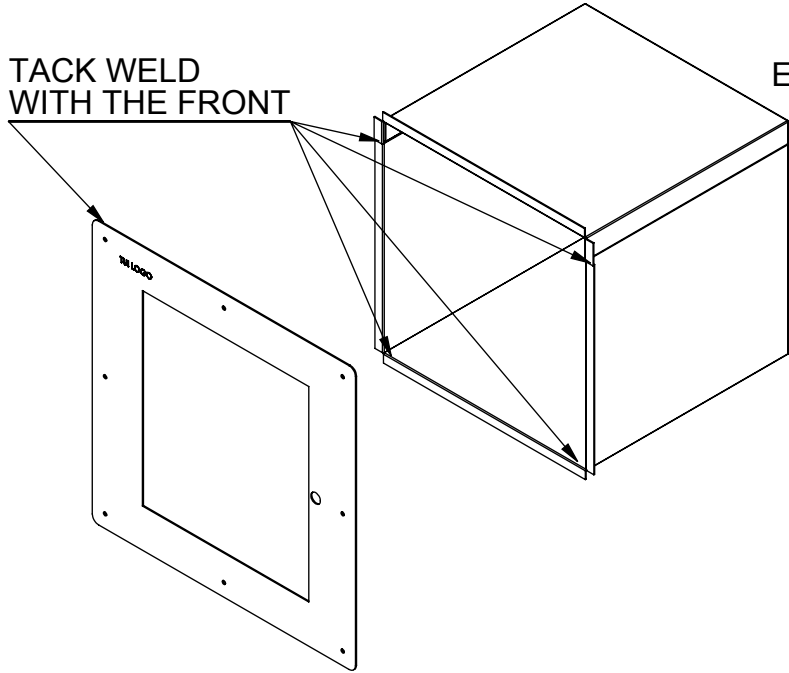


PROPRIETARY & CONFIDENTIAL  
ALL RIGHTS RESERVED BY  
TERRA UNIVERSAL  
DISCLOSURE OR COPYING PROHIBITED

TITLE			
PASS-THROUGH 304SS, WALL MOUNT VALULINE 12"W x 12"D x 12"H			
A	2634-42		
SCALE		SHEET	8 OF 9

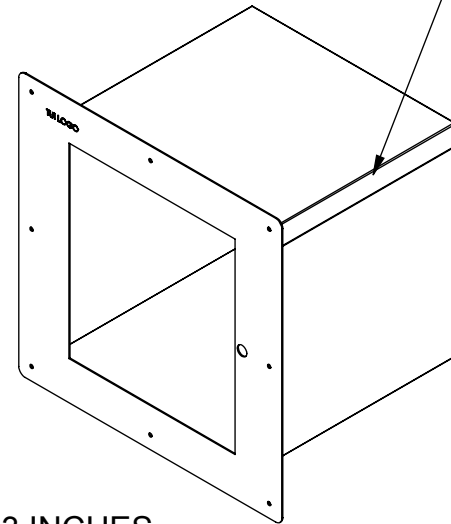


TACK WELD WITH THE FRONT



EXPLODED VIEW

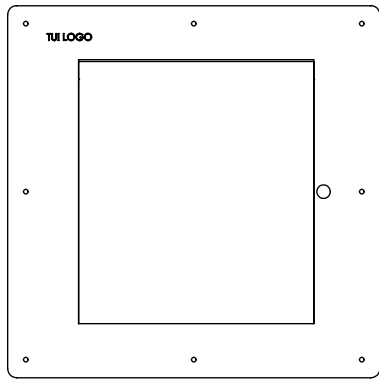
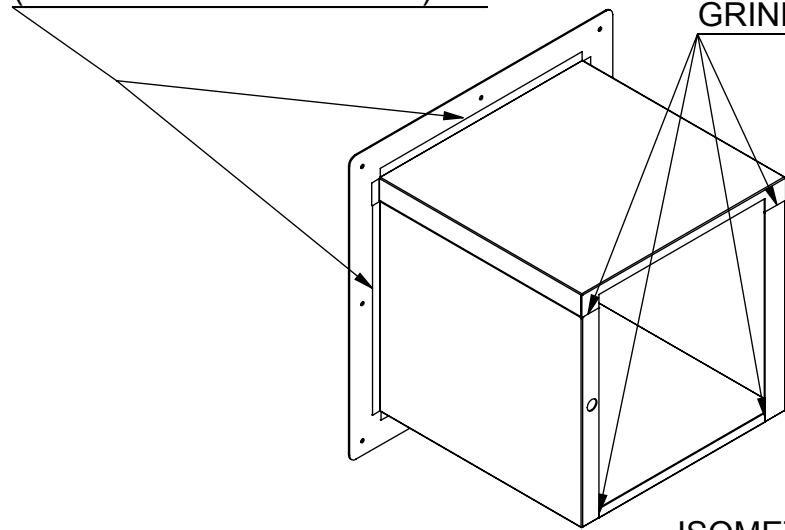
ISOMETRIC VIEW



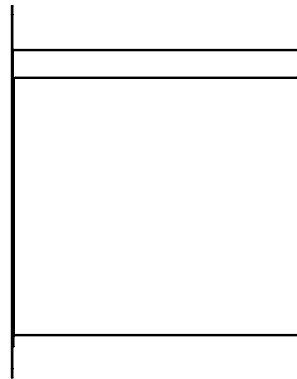
SPOT WELD

TACK WELD EVERY 3 INCHES  
(FRONT COVER TO BODY)

CONTINUOUS WELD  
GRIND TO SEAMLESS



FRONT VIEW



RIGHT SIDE VIEW

ISOMETRIC BACK VIEW

REVISIONS			
RV#	DESCRIPTION	DATE	BY
NC	INITIAL RELEASE	9-9-16	JR
○			

MATERIAL SPEC.	FINISH SPEC.
STAINLESS STEEL	304 FINISH

UNLESS OTHERWISE SPECIFIED, DIMENSIONS ARE IN INCHES	
TOLERANCES ON:	
.XX DECIMALS ± .03	X' ± 1"
.XXX DECIMALS ± .010	X/X ± 1/64
SIGNATURES	DATE
ISSUED BY: JUAN R	6/30/16
REF #:	

**Terra  
Universal**

PROPRIETARY & CONFIDENTIAL  
ALL RIGHTS RESERVED BY  
TERRA UNIVERSAL  
DISCLOSURE OR COPYING PROHIBITED

TITLE	PASS-THROUGH 304SS, WALL MOUNT VALULINE 12"W x 12"D x 12"H
SCALE	2634-42
SHEET	9 OF 9