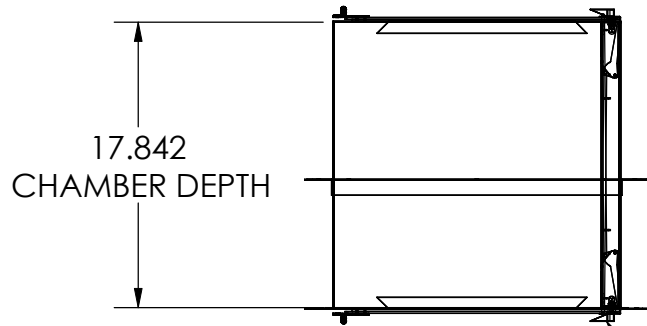
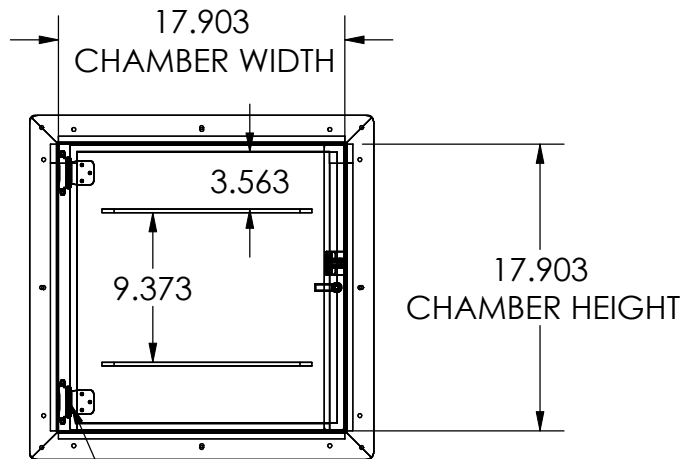
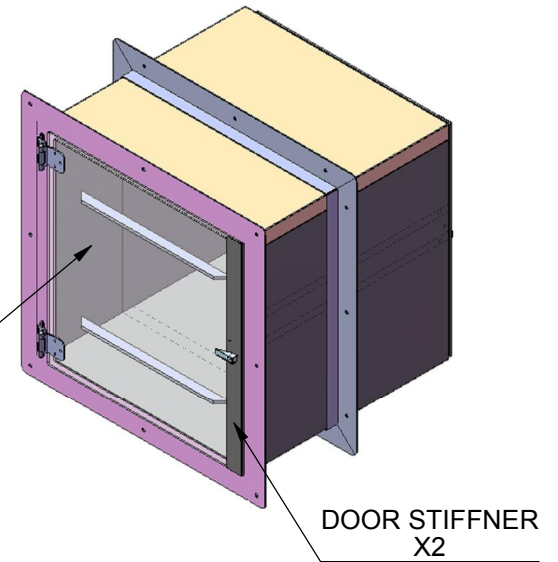


**VALULINE PASS-THROUGH**  
18"W X 18"D X 18"H



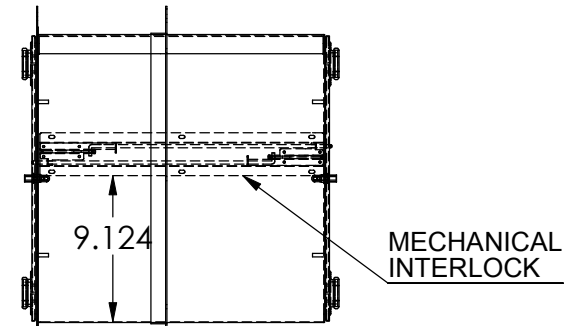
PA06217  
LATCH  
SWELL ACTION  
QTY 2 PCS

SD PVC  
WINDOW



PA01536  
CHROME HINGE  
X4

ADJUSTABLE  
WALL THICKNESS



FLUSH MOUNT  
(FIXED)

MOUNTING BRACKET  
(SHIPPED LOOSE)

REVISIONS			
RV#	DESCRIPTION	DATE	BY
NC	INITIAL RELEASE	8/19/16	WN
○			

MATERIAL SPEC.	FINISH SPEC.
304SS	
SD PVC	

UNLESS OTHERWISE SPECIFIED, DIMENSIONS ARE IN INCHES	
TOLERANCES ON:	
.XX DECIMALS ± .03 X' ± 1"	
.XXX DECIMALS ± .010 X/X ± 1/64	
SIGNATURES	DATE
ISSUED BY: <i>WILLIAM NGUYEN</i>	8/19/16
REF #:	



PROPRIETARY & CONFIDENTIAL  
ALL RIGHTS RESERVED BY  
TERRA UNIVERSAL  
DISCLOSURE OR COPYING PROHIBITED

TITLE
PASS-THROUGH 304SS, WALL MOUNT VALULINE 18"W x 18"D x 18"H
A 2634-45
SCALE
SHEET 1 OF 10