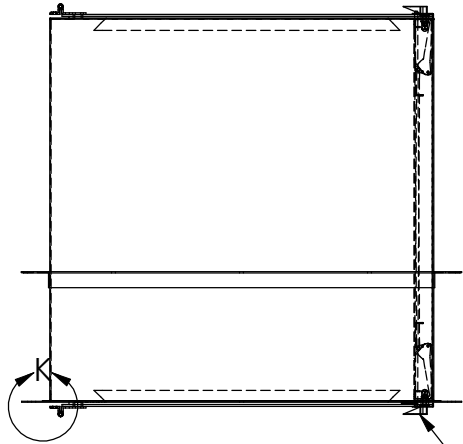
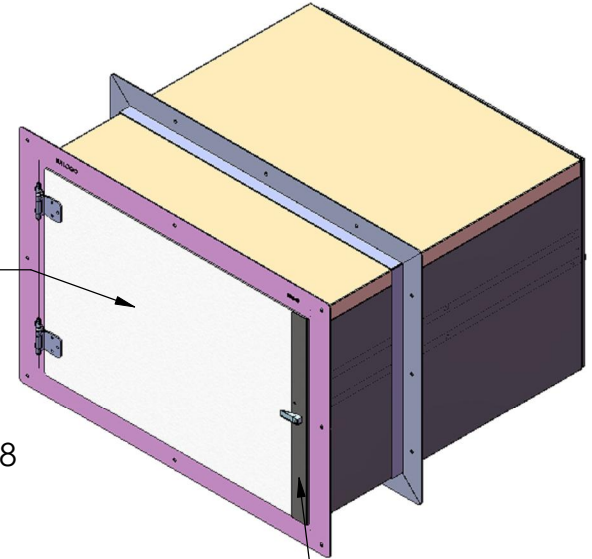


DETAIL K
SCALE 1 : 2



PA06217
LATCH
SWELL ACTION
QTY 2 PCS

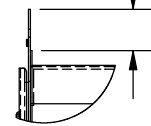
SD PVC
WINDOW



1.298

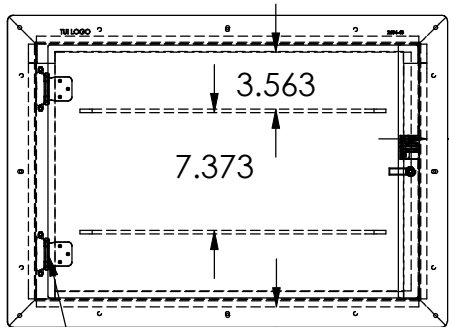
DOOR STIFFENER
X2

DETAIL L
SCALE 1 : 6



1.298

PA01536
CHROME HINGE
X 4

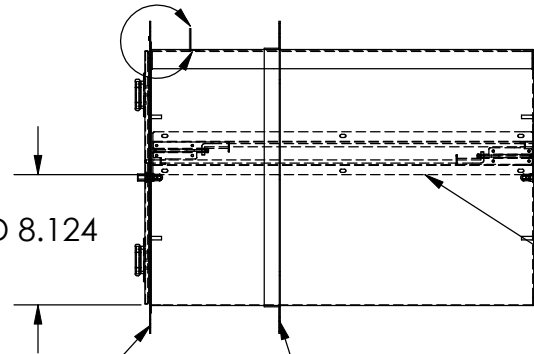


1.300

1.300

ID 8.124

FLUSH MOUNT



OPTION:
MECHANICAL
INTERLOCK

MOUNTING BRACKET
(SHIPPED LOOSE)

REVISIONS			
RV#	DESCRIPTION	DATE	BY
NC	INITIAL RELEASE	1-25-17	JR

MATERIAL SPEC.	FINISH SPEC.
304 SS	SD PVC

UNLESS OTHERWISE SPECIFIED, DIMENSIONS ARE IN INCHES			
TOLERANCES ON:			
.XX	DECIMALS ± .03	X' ± 1"	
.XXX	DECIMALS ± .010	X/X ± 1/64	
SIGNATURES		DATE	
ISSUED BY: JUAN R		1-25-17	
REF #:			



PROPRIETARY & CONFIDENTIAL
ALL RIGHTS RESERVED BY
TERRA UNIVERSAL
DISCLOSURE OR COPYING PROHIBITED

TITLE
PASS-THROUGH; 304 SS 24"W X 24"D X 16"H WALL MOUNT W/BACKET, VALULINE
A 2634-47
SCALE
SHEET 1 OF 13