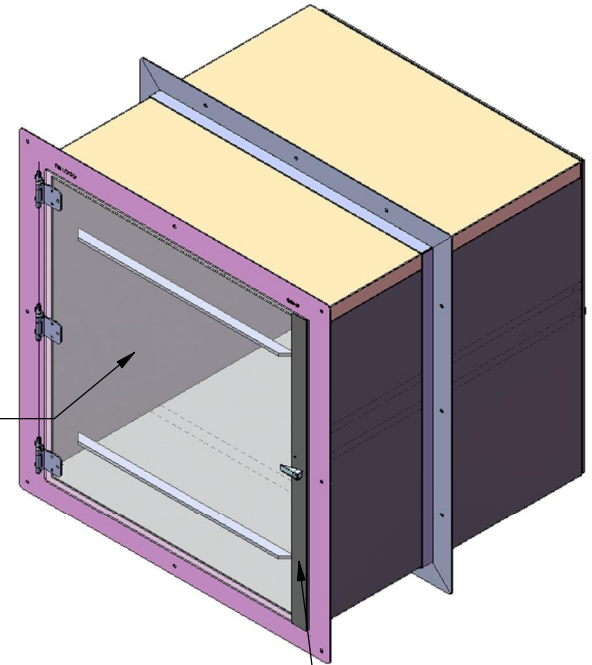
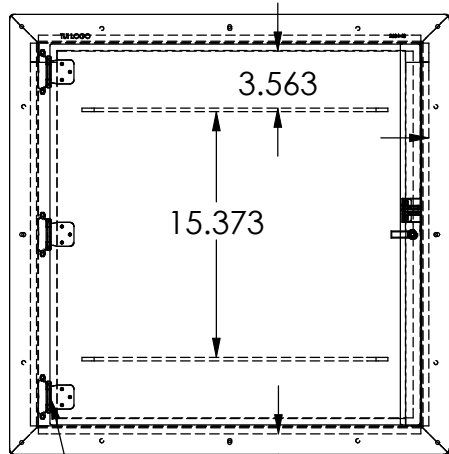


PA06217  
LATCH  
SWELL ACTION  
QTY 2 PCS



SD PVC  
WINDOW

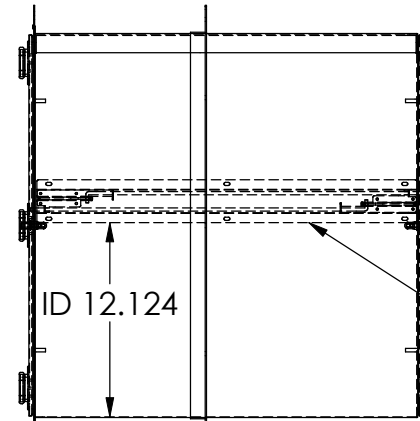
DOOR STIFFNER  
X2



1.300

1.300

PA01536  
CHROME HINGE  
X 6



ID 12.124

OPTION:  
MECHANICAL  
INTERLOCK

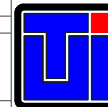
FLUSH MOUNT

MOUNTING BRACKET  
(SHIPPED LOOSE)

REVISIONS			
RV#	DESCRIPTION	DATE	BY
NC	INITIAL RELEASE	8-15-16	JR
○			

MATERIAL SPEC.	FINISH SPEC.
304 SS	SD PVC

UNLESS OTHERWISE SPECIFIED, DIMENSIONS ARE IN INCHES			
TOLERANCES ON:			
.XX	DECIMALS ± .03	X' ± 1"	
.XXX	DECIMALS ± .010	X/X ± 1/64	
SIGNATURES		DATE	
ISSUED BY:	JUAN R	6/30/16	
REF #:			



**Terra  
Universal**

PROPRIETARY & CONFIDENTIAL  
ALL RIGHTS RESERVED BY  
TERRA UNIVERSAL  
DISCLOSURE OR COPYING PROHIBITED

TITLE
PASS-THROUGH: 304 SS 24" W X 24" D X 24" H WALL MOUNT W/BACKET, VALULINE
A 2634-48
SCALE
SHEET 1 OF 13