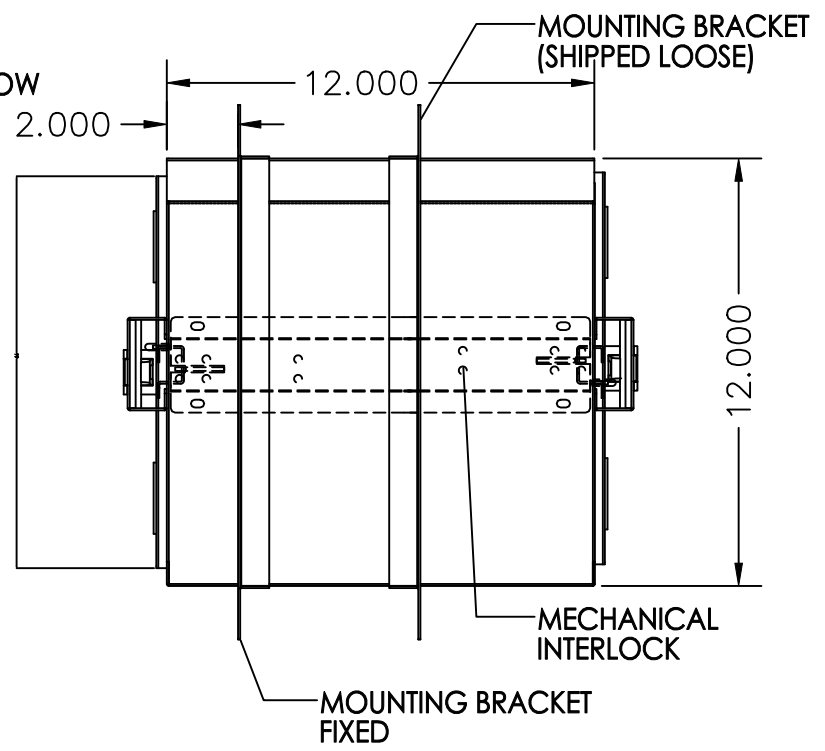


SD PDF VIEWING WINDOW

LIFT LATCH 1603-40-2



LTR	DESCRIPTION	DATE	APPD
NC	INITIAL RELEASE	6/13/13	GG
○			

CONFIG	DESCRIPTION
MATERIAL SPEC.	FINISH SPEC.
304SS	
SDPVC	

UNLESS OTHERWISE SPECIFIED, DIMENSIONS ARE IN INCHES

TOLERANCES ON:

.XX DECIMALS ± .03	X± 1
.XXX DECIMALS ± 010	X/X ± 1/64
SIGNATURES	
DATE	
DRAWN: G GARCIA	6/13/13
ENGR:	

PROPRIETARY & CONFIDENTIAL
ALL RIGHTS RESERVED BY
TERRA UNIVERSAL
DISCLOSURE OR COPYING PROHIBITED

TITLE			
PASS-THROUGH WALL MTD w/BRACKETS, SS SDPVC 12"W x 12"D x 12"H			
A	1992-09D		
NEXT ASSY	USED ON	SCALE NONE	PASS-THROUGH SHEET 1 OF 1