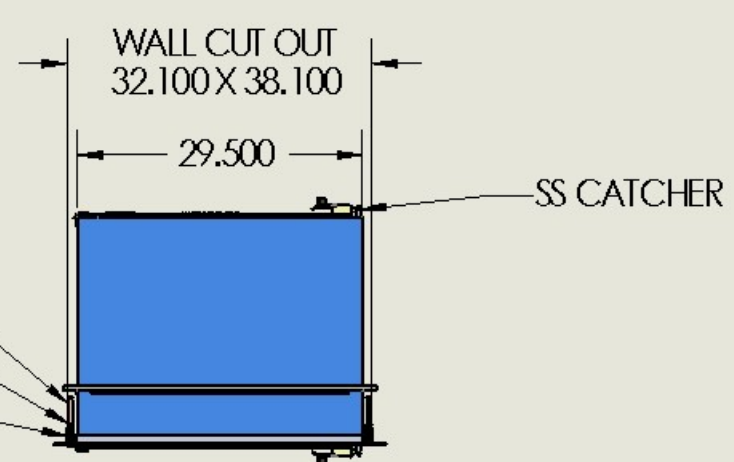
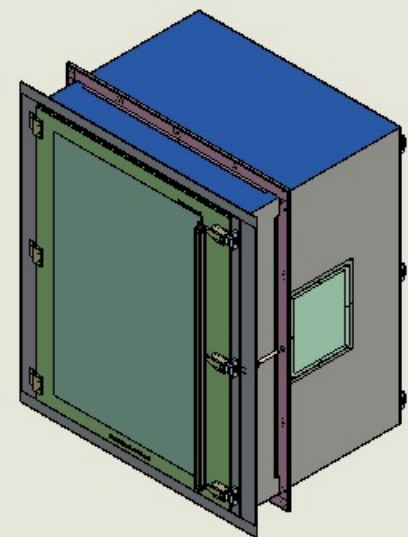


SECTION D-D
SCALE 1 : 20



SCREW
GUIDE
NUT

REV	DESCRIPTION	DATE	BY
VC	WTA RE-BASE	17-01-15	N
○			

MATERIAL SPEC.	FINISH SPEC.
304SS	FLUSH MOUNT

DIMENSIONS SPEC. (ALL DIMENSIONS ARE IN MILLIMETERS UNLESS OTHERWISE SPECIFIED)	
TO FRANCIS ONE:	
.XX DECIMALS ± .05	X' ± 1"
.XXX DECIMALS ± .010	X/X ± 1/64
SCHEMATIC DATE:	
ISSUED BY: DOUGLAS	7/23/2015
REF #:	10948-N1-1



PASS-THROUGH; EP304SS CLEANSEAM+, 24"W X 24"D X 36" ISOLATED INTERLOCK	
A	2638-78A-7
SCALE:	SCALE: 1 OF 10