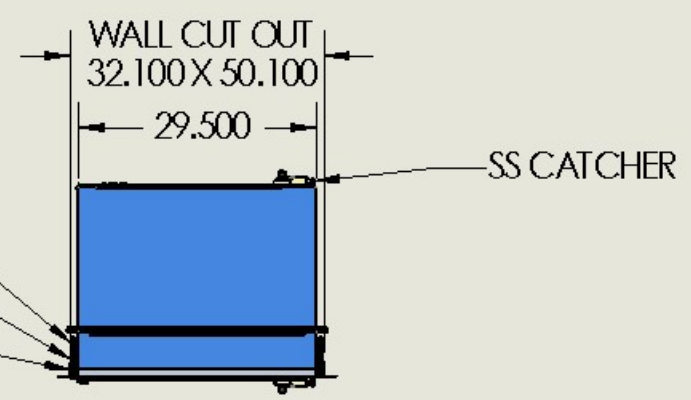
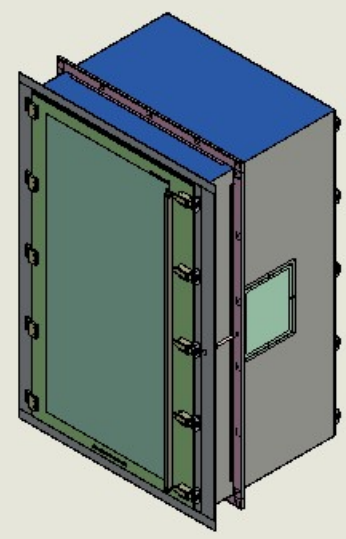


SECTION D-D
SCALE 1 : 24



REVISIONS			
REV	DESCRIPTION	DATE	BY
VC	WTA RE-BASE	17-01-15	N

MATERIAL SPEC.	FINISH SPEC.
304SS	POURDOR 54

DIMENSIONS SPEC. TO DIMENSIONS ARE IN MILLIS TO FRANCE'S D.V.		
.XX	DEC. MA 5 ± 0.5	X' ± 1"
.XXX	DEC. MA 5 ± 0.10	X/X ± 1/64
SCHEMATIC		DATE
DESIGN BY:	PO. MOJAVE	7/23/2015
REF #:	00943-N1-1	

Terra Universal

PROPERTY & CONFIDENTIAL
ALL RIGHTS RESERVED BY
TERRA UNIVERSAL
EXCLUSIVE OF OTHER PARTIES

TITLE	
PASS-THROUGH; EP304SS CLEANSEAM +, 24"W X 24"D X 48H ISOLATED INTERLOCK	
REV. A	2638-79A-2