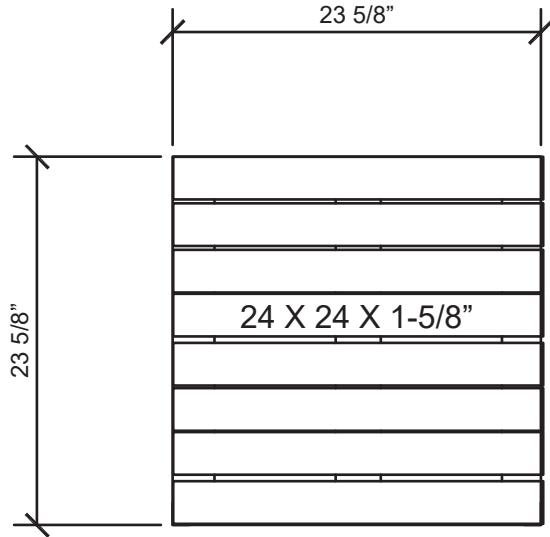


IPE WOOD TILE & LAYOUT

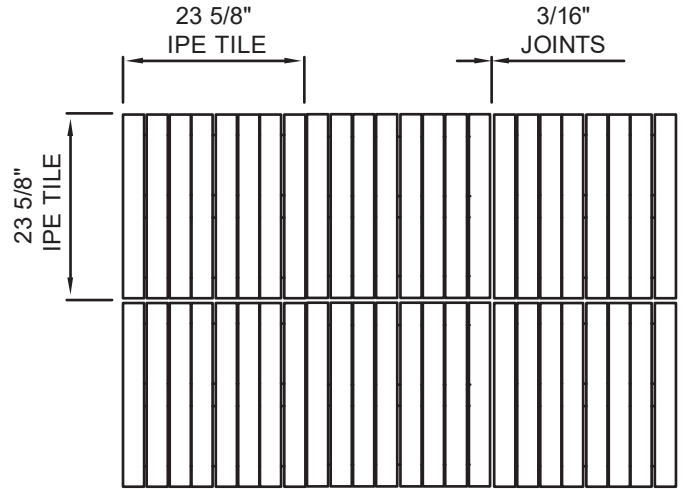
24" x 24" x 1-5/8"

National Distribution
Toll Free: 888-550-3803

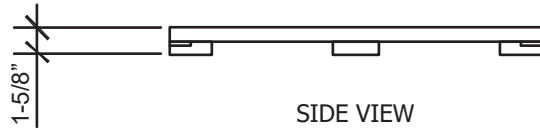
Tel: 213-550-3803
Fax: 213-380-5561



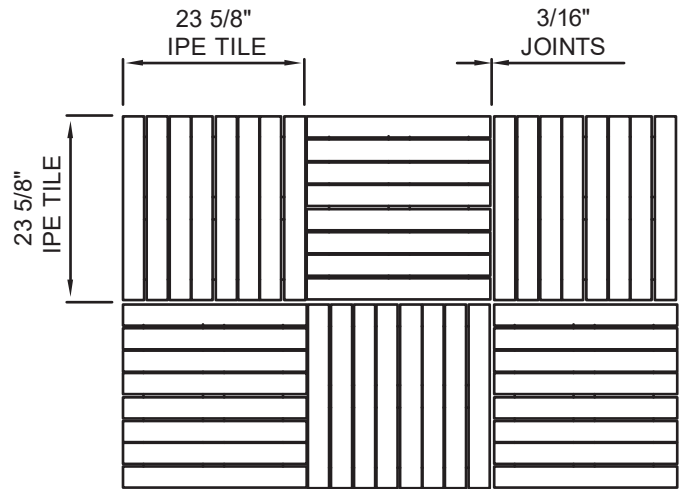
TOP VIEW



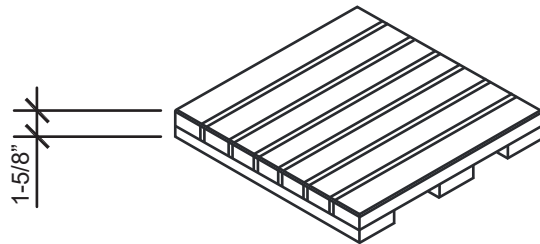
SQUARE LAYOUT



SIDE VIEW



CROSS HATCH LAYOUT



ISOMETRIC VIEW

GENERAL NOTES: APPLY TO ALL OF THE ABOVE PRODUCTS

1. INSTALLATION MUST BE COMPLETED IN ACCORDANCE WITH TILE UP INC PRODUCT SPECIFICATIONS.
2. DRAWING NOT TO SCALE.
3. USE OF BUFFER PADS IS MANDATORY.
4. CONTRACTOR'S NOTE: FOR PRODUCT AND COMPANY INFORMATION VISIT www.TILETECHPAVERS.com