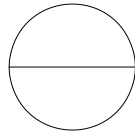




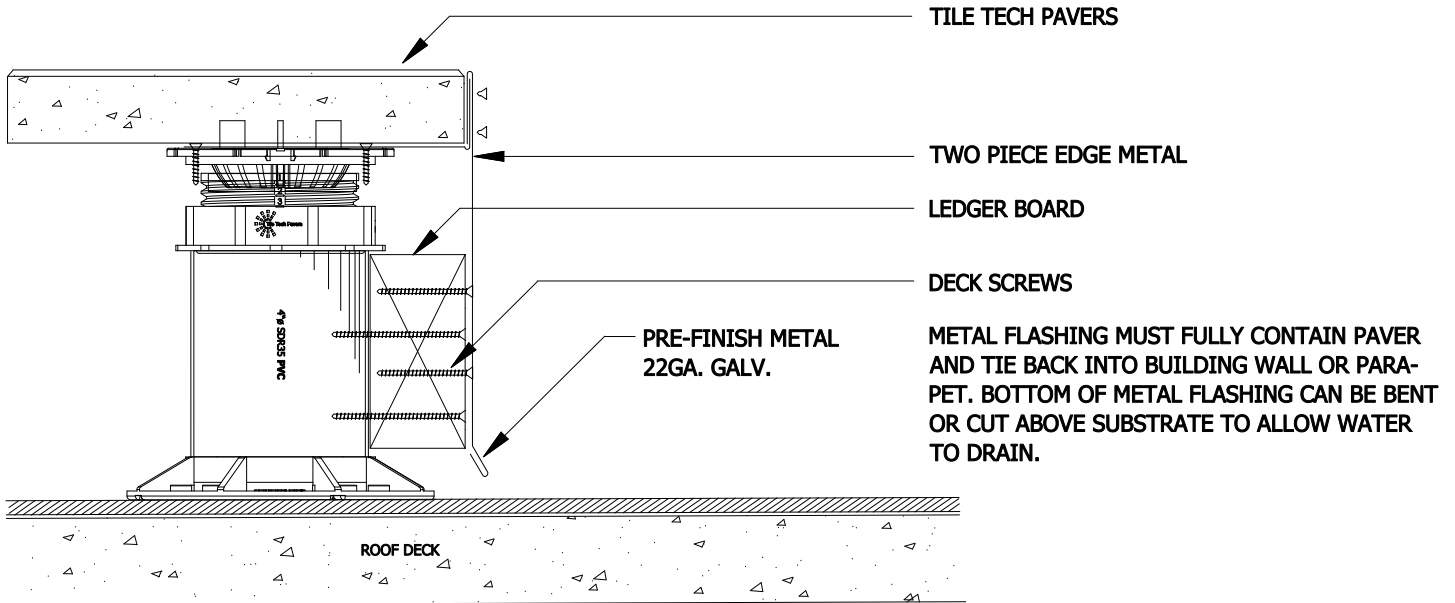
National Distribution Tel: 213-380-5560  
 Toll Free: 888-380-5575 Fax: 213-380-5561



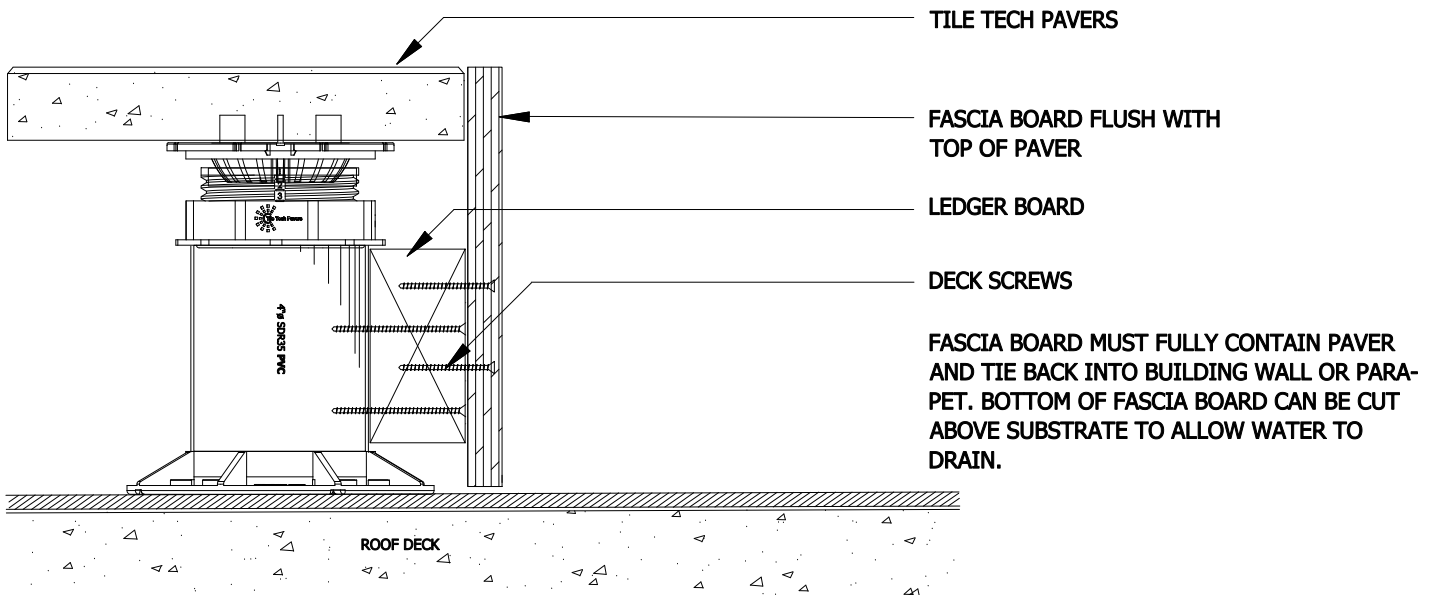
## PERIMETER EDGE RESTRAINT OPTIONS

### METAL FLASHING AND WOOD FASCIA CONTAINMENT DETAILS

#### METAL FLASHING CONTAINMENT



#### WOOD FASCIA CONTAINMENT



**GENERAL NOTES: APPLY TO ALL OF THE ABOVE PRODUCTS**

1. INSTALLATION MUST BE COMPLETED IN ACCORDANCE WITH TILE TECH PAVERS PRODUCT SPECIFICATIONS.
2. DRAWING NOT TO SCALE.
3. USE OF BUFFER PADS IS MANDATORY.
4. CONTRACTOR'S NOTE: FOR PRODUCT AND COMPANY INFORMATION VISIT [www.TILETECHPAVERS.com](http://www.TILETECHPAVERS.com)