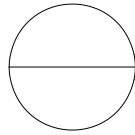


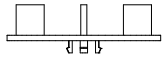


National Distribution Tel: 213-380-5560
Toll Free: 888-380-5575 Fax: 213-380-5561

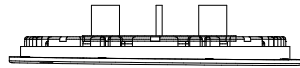


STAK-CAP™ & UNI-JUST™ PEDESTALS

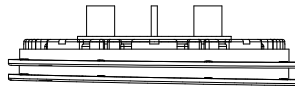
SAMPLE PEDESTAL CONFIGURATION & COMBINATION
COMPENSATION FROM 1/2" TO 22" HIGH & 0% TO 6% SLOPE



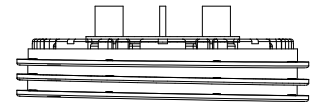
SPACER
FIXED HEIGHT 1/8"



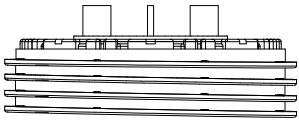
STAK-CAP™
HEIGHT 3/8" SLOPE 1% Max



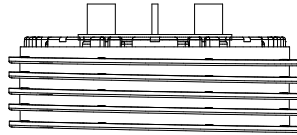
STAK-CAP™ X2
HEIGHT 1" SLOPE 2% Max



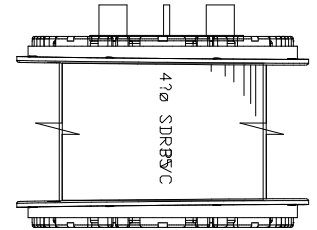
STAK-CAP™ X3
HEIGHT 1-3/8" SLOPE 3% Max



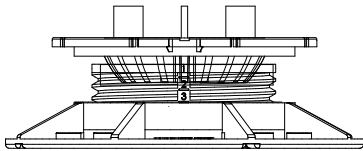
STAK-CAP™ X4
HEIGHT 1-7/8" SLOPE 4% Max



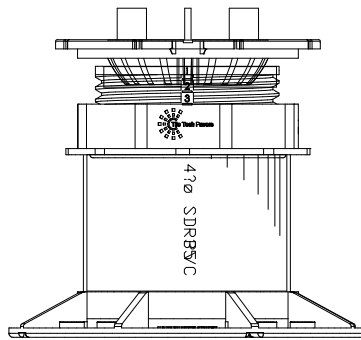
STAK-CAP™ X5
HEIGHT 2-1/4" SLOPE 5% Max



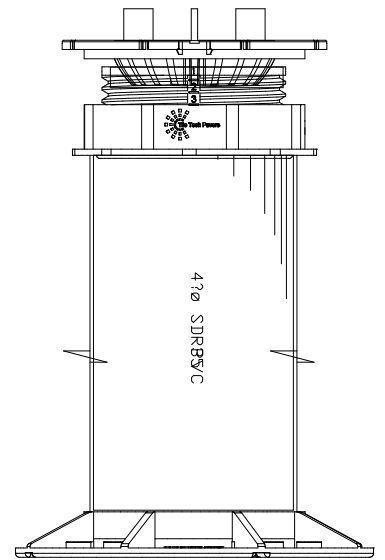
STAK-CAP™ X2 w/ PVC PIPE
HEIGHT "VARIABLE" MAX 6"
SLOPE 5% MAX w/ SHIMS



UNI-JUST™ w/o PVC PIPE
HEIGHT 2-1/4" TO 3"
SLOPE 0% TO 6%



UNI-JUST™ w/o PVC PIPE
HEIGHT 3" TO 3-3/4"
SLOPE 0% TO 6%



UNI-JUST™ w/ PVC PIPE
HEIGHT "VARIABLE" MAX 22"
SLOPE 0% TO 6%

GENERAL NOTES: APPLY TO ALL OF THE ABOVE PRODUCTS

1. INSTALLATION MUST BE COMPLETED IN ACCORDANCE WITH TILE TECH PAVERS PRODUCT SPECIFICATIONS.
2. DRAWING NOT TO SCALE.
3. USE OF BUFFER PADS IS MANDATORY.
4. CONTRACTOR'S NOTE: FOR PRODUCT AND COMPANY INFORMATION VISIT www.TILETECHPAVERS.com