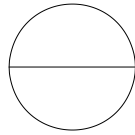


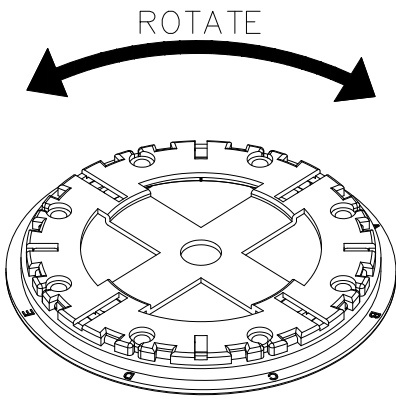


National Distribution Tel: 213-380-5560  
Toll Free: 888-380-5575 Fax: 213-380-5561



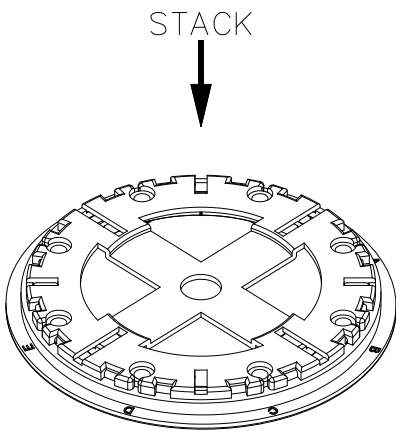
## STAK-CAP™ PEDESTAL SYSTEM

HEIGHT ADJUSTMENT FROM 1/2" TO 6" SLOPE ADJUSTMENT FROM 0% TO 5%



### PRODUCT CHARACTERISTICS:

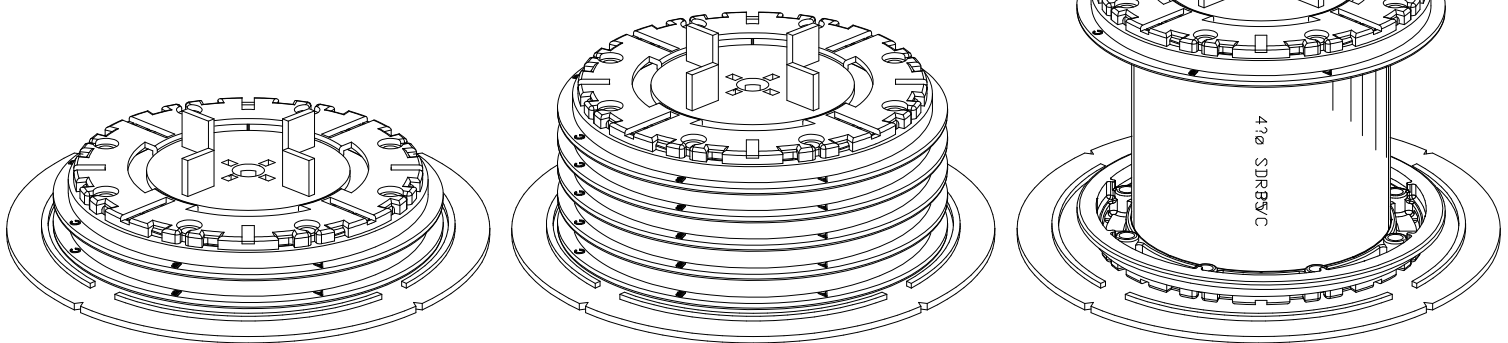
EACH CAP WILL COMPENSATE FOR UP TO 1/8" PER FOOT SLOPE (1%) & ADD 3/8" TO THE OVERALL HEIGHT OF A PEDESTAL. PVC PIPE CAN BE USED TO GAIN ADDITIONAL HEIGHT OF 16" MAX. ROTATE ONE CAP RELATIVE TO ANOTHER BY ALIGNING THE ALPHABETS TO CHANGE SLOPE. A & A WILL REACH MAXIMUM SLOPE AND A & E WILL CANCEL SLOPE. A MAXIMUM OF 5 CAPS CAN BE STACKED WITH TOTAL SLOPE OF 5/8" PER FOOT (5%) & WITH TOTAL HEIGHT OF 2-1/4" INCLUDING THE USE OF BUFFER PADS.



### CONFIGURATION CHART:

1 CAP = 5/8" HIGH	1/8" PER FOOT	1% MAX
2 CAPS = 1" HIGH	1/4" PER FOOT	2% MAX (A+A)
3 CAPS = 1-3/8" HIGH	3/8" PER FOOT	3% MAX (A+A+A)
4 CAPS = 1-7/8" HIGH	1/2" PER FOOT	4% MAX (A+A+A+A)
5 CAPS = 2-1/4" HIGH	5/8" PER FOOT	5% MAX (A+A+A+A+A)

PVC + 2 CAPS = VARIABLE HEIGHT	0% MAX
PVC + 3 CAPS = VARIABLE HEIGHT	1% MAX
PVC + 4 CAPS = VARIABLE HEIGHT	2% MAX
PVC + 5 CAPS = VARIABLE HEIGHT	3% MAX



### GENERAL NOTES: APPLY TO ALL OF THE ABOVE PRODUCTS

1. INSTALLATION MUST BE COMPLETED IN ACCORDANCE WITH TILE TECH PAVERS PRODUCT SPECIFICATIONS.
2. DRAWING NOT TO SCALE.
3. USE OF BUFFER PADS IS MANDATORY.
4. CONTRACTOR'S NOTE: FOR PRODUCT AND COMPANY INFORMATION VISIT [www.TILETECHPAVERS.com](http://www.TILETECHPAVERS.com)