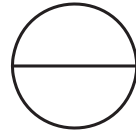


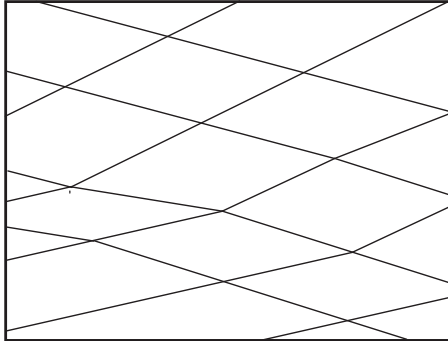


National Distribution Tel: 213-380-5560
Toll Free: 888-380-5575 Fax: 213-380-5561

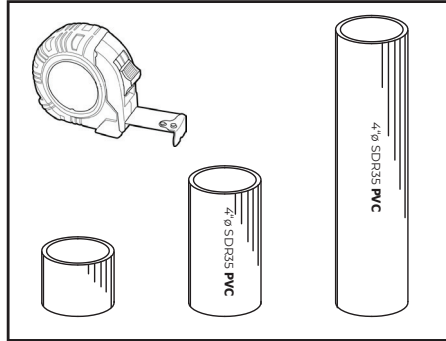


UNI-JUST™ PEDESTAL INSTRUCTIONS

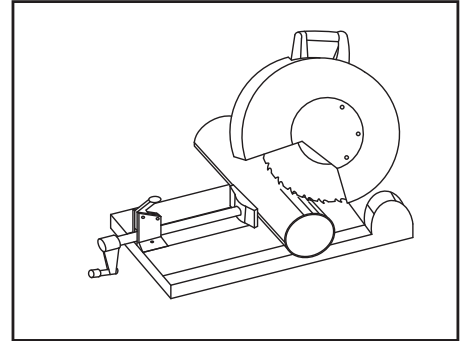
INSTALLATION INSTRUCTIONS 1/2" to 24" HIGH & 0%-4% SLOPE



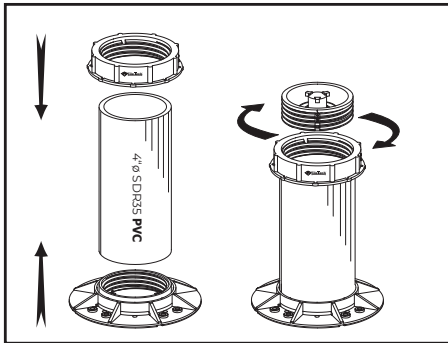
1. Chalk grid lines starting from door threshold based on paver size plus 1/8" gap.



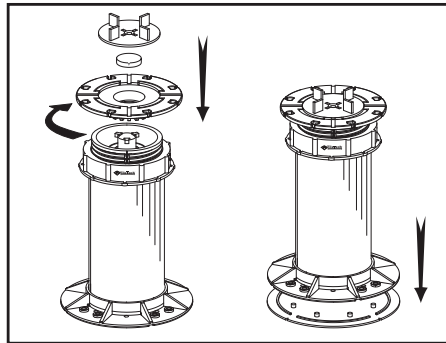
2. Using a laser, determine final height of pedestals. Deduct 1/4" for base & cap assembly. Measure & mark PVC pipe to be cut.



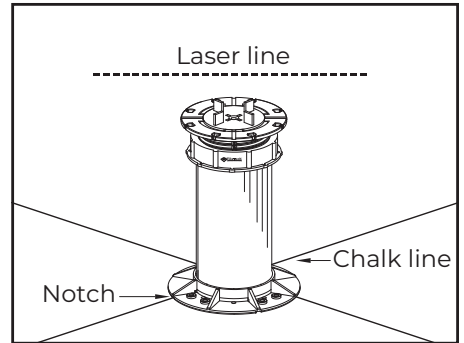
3. Cut PVC pipe to required height with a 12" chop saw. Using sand paper, remove any burrs from cut ends.



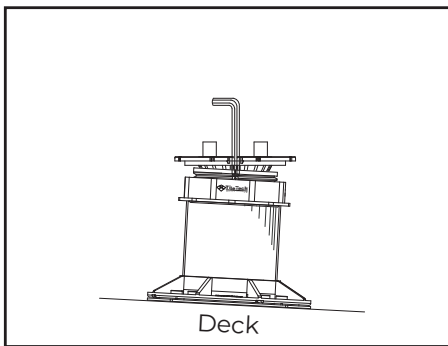
4. Assemble by inserting cut PVC pipe in to Uni-Base™ and Uni-Collar™ in to other end of PVC pipe. Screw Uni-Insert™ in to Uni-Collar™ minimum of 2 threads.



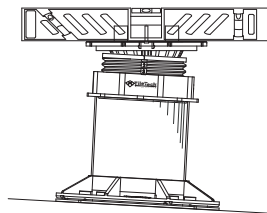
5. Complete assemble by rotating and aligning Uni-Cap™ with Uni-Insert™ and Lock Ring. Align & attach Buffer Pad to Uni-Base™.



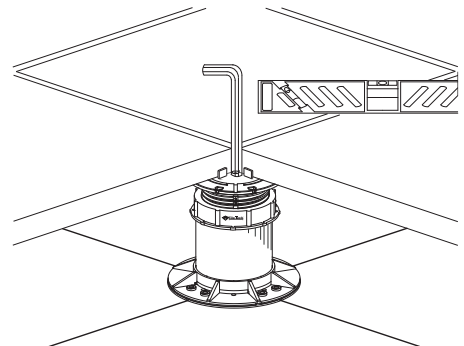
6. Position pedestal under laser line and align Buffer Pad notch with chalk line.



7. Adjust final pedestal height by using Allen Key from top to screw up or down Uni-Insert™.



8. Use a spirit level to level Uni-Cap™ in any direction.



9. Use Allen Key to fine tune loaded pedestal for a perfect level & height.

GENERAL NOTES: APPLY TO ALL OF THE ABOVE PRODUCTS

1. INSTALLATION MUST BE COMPLETED IN ACCORDANCE WITH TILE TECH INC PRODUCT SPECIFICATIONS.

2. DRAWING NOT TO SCALE.

3. CONTRACTOR'S NOTE: FOR PRODUCT AND COMPANY INFORMATION VISIT www.TILETECHPAVERS.com