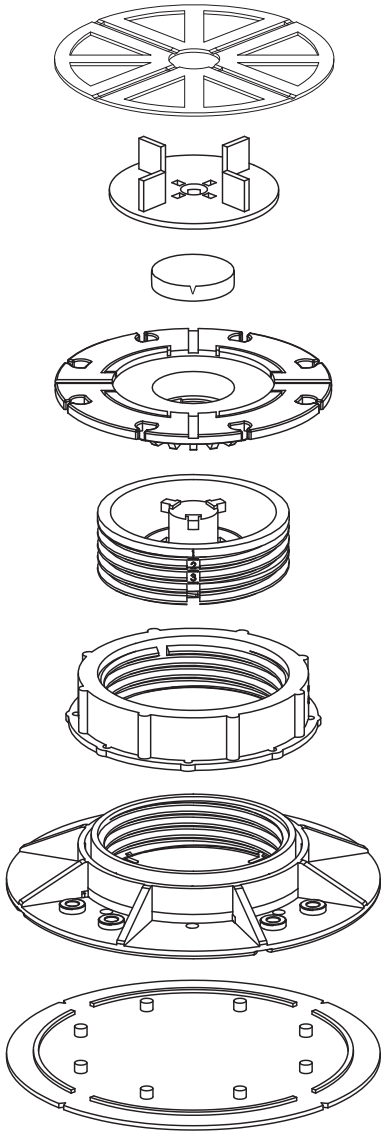


National Distribution Tel: 213-550-3803
Toll Free: 888-550-3803 Fax: 213-380-5561



Uni-Shim™ - 1/8" & 1/16"

Allows for fine-tuning of individual pavers. Can be broken into quarters or halves and stacked.

Spacer Tabs - 1/8" tabs can be broken off allowing different paving configurations.

Lock Ring Used to secure pavers from pivoting.

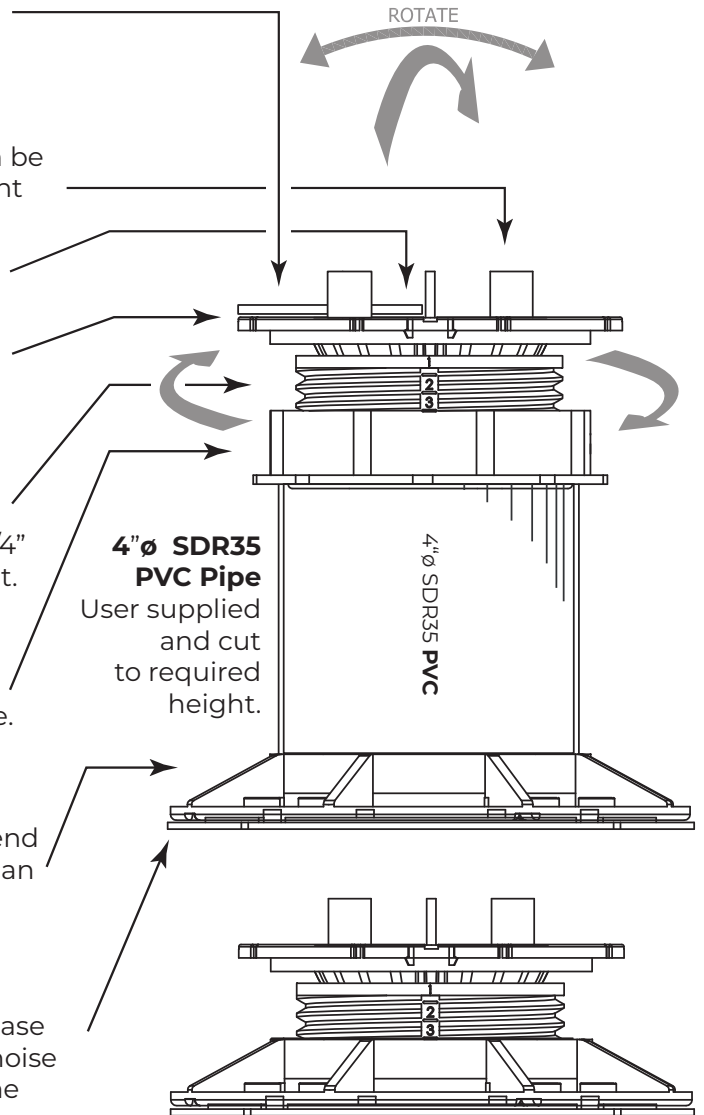
Uni-Cap™ Self-leveling & adjustable in any direction from 0% to 4% slope.

Uni-Insert™ - 3/4" & 1-1/2"
Screw adjustment from 3/4" to 1-1/2" of additional height.

Uni-Collar™ - Snaps on to end of 4"Ø SDR35 PVC pipe.

Uni-Base™ - Snaps on to end of 4"Ø SDR35 PVC pipe or can be used with **Uni-Insert™**.

Buffer Pad - Used under base to provide slip resistance, noise dampening and membrane protection.



GENERAL NOTES: APPLY TO ALL OF THE ABOVE PRODUCTS

1. INSTALLATION MUST BE COMPLETED IN ACCORDANCE WITH TILE TECH INC PRODUCT SPECIFICATIONS.
2. DRAWING NOT TO SCALE.
3. USE OF BUFFER PADS IS MANDATORY.
4. CONTRACTOR'S NOTE: FOR PRODUCT AND COMPANY INFORMATION VISIT www.TileTechPavers.com