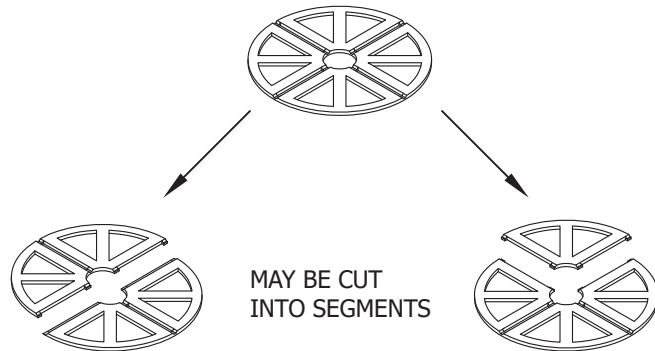


National Distribution Tel: 213-550-3803
 Toll Free: 888-550-3803 Fax: 213-380-5561

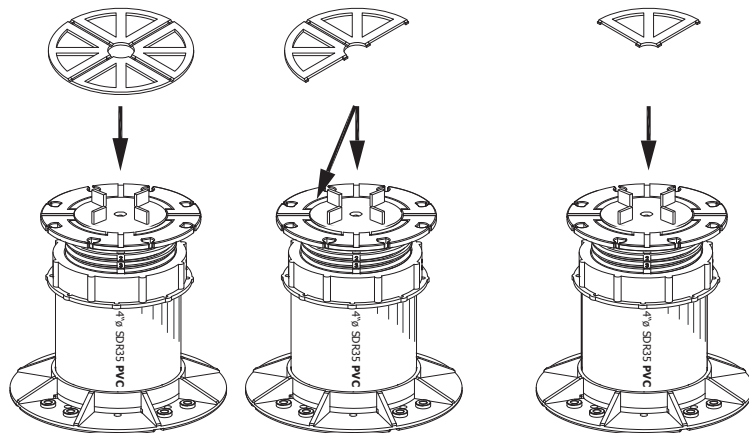
UNI-SHIM™ 1/8" & 1/16"

A UNI-SHIM 1/8" OR 1/16" MAY BE PLACED ON TOP OF EACH PEDESTAL. UNIQUE INTERLOCKING FEATURE ALLOWS SHIMS LOCK TO EACH OTHER AND TO PEDESTAL TOPS, NO GLUING REQUIRED. SHIMS MAY BE USED WHOLE OR BROKEN INTO SEGMENTS FOR FINE TUNING & LEVELING.



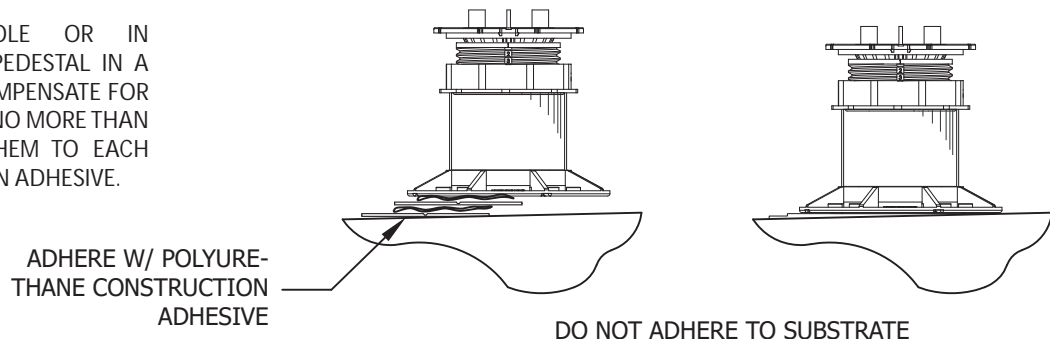
UNI-SHIM™ TOP OF PEDESTAL

UNI-SHIMS MAY BE PLACED ON TOP OF PEDESTALS FOR MINOR LEVELING OF PAVERS WITH THICKNESS VARIATIONS. USE NO MORE THAN 3 SHIMS STACKED PER CORNER.



UNI-SHIM™ UNDER PEDESTAL

PLACE UNI-SHIMS, WHOLE OR IN SEGMENTS, UNDER EACH PEDESTAL IN A STAIR STEP FASHION TO COMPENSATE FOR SLOPING SUBSTRATES. USE NO MORE THAN 2 SHIMS, AND ADHERE THEM TO EACH OTHER WITH CONSTRUCTION ADHESIVE.



GENERAL NOTES: APPLY TO ALL OF THE ABOVE PRODUCTS

1. INSTALLATION MUST BE COMPLETED IN ACCORDANCE WITH TILE TECH INC PRODUCT SPECIFICATIONS.
2. DRAWING NOT TO SCALE.
3. USE OF BUFFER PADS IS MANDATORY.
4. CONTRACTOR'S NOTE: FOR PRODUCT AND COMPANY INFORMATION VISIT www.TILETECHPAVERS.com