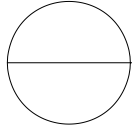




National Distribution Tel: 213-380-5560
Toll Free: 888-380-5575 Fax: 213-380-5561



WIND-LOC™ PAVER & PEDESTAL APPLICATION

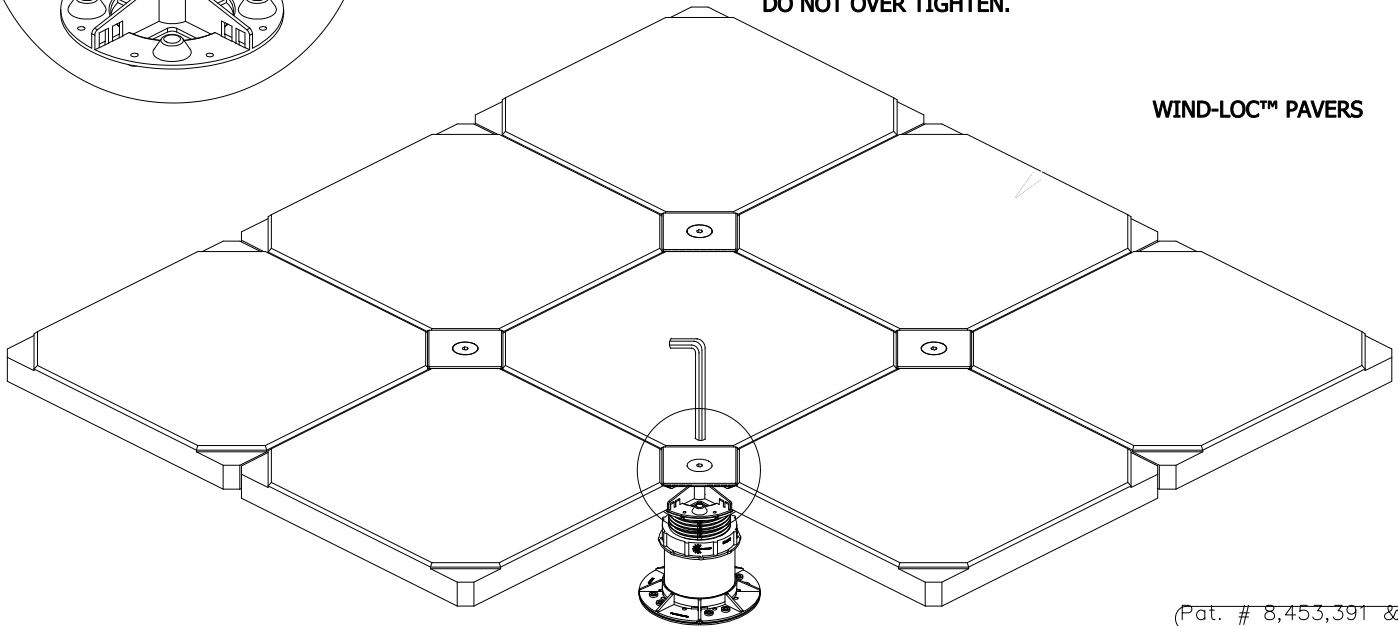
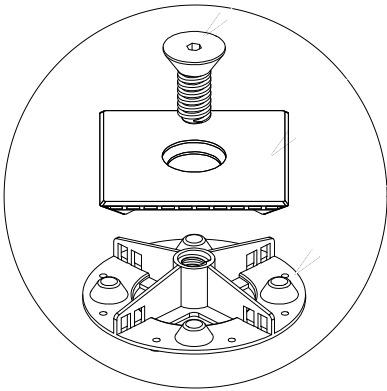
PAVER LOCK DOWN SYSTEM DETAILS. PLAN AND PROFILE VIEW

WIND-LOC™ SCREW

WIND-LOC™ PLATE

WIND-LOC™ BASE

WIND-LOC™ PEDESTAL IS MADE OF HIGH IMPACT POLYPROPYLENE & ABS AND IS MADE TO LOCK THE PAVER SYSTEM TOGETHER AND PREVENT WIND UPLIFT. POSITION AND LEVEL HYBRID PEDESTAL SYSTEM ON GRID LINES. SET THE WIND-LOC™ BASE ON TOP OF THE PEDESTAL SYSTEM AND SET WIND-LOC™ PAVERS ON TO WIND-LOC™ BASE. BE SURE TO ALIGN RECESS ON BACK SIDE OF PAVER WITH THE DOMES ON THE WIND-LOC™ BASE. POSITION & ALIGN WIND-LOC™ PLATE ON TO WIND-LOC™ PAVERS IN A DIAMOND CONFIGURATION. INSTALL WIND-LOC™ SCREW IN TO WIND-LOC™ BASE WITH A HEX BIT. TIGHTEN DOWN TO 80 PSI. DO NOT OVER TIGHTEN.



WIND-LOC™ PAVERS

Pat. # 8,453,391 & Pat. Pen

Patent Pending

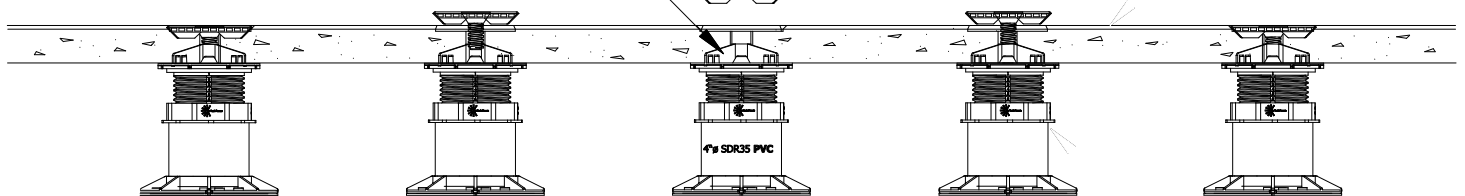
WIND-LOC™ - PROFILE VIEW

WIND-LOC™ SCREW

WIND-LOC™ PLATE

WIND-LOC™ PAVERS

WIND-LOC™ BASE



UNI-JUST™ PEDESTAL

GENERAL NOTES: APPLY TO ALL OF THE ABOVE PRODUCTS

1. INSTALLATION MUST BE COMPLETED IN ACCORDANCE WITH TILE TECH PAVERS PRODUCT SPECIFICATIONS.
2. DRAWING NOT TO SCALE.
3. USE OF BUFFER PADS IS MANDATORY.
4. CONTRACTOR'S NOTE: FOR PRODUCT AND COMPANY INFORMATION VISIT www.TILETECHPAVERS.com