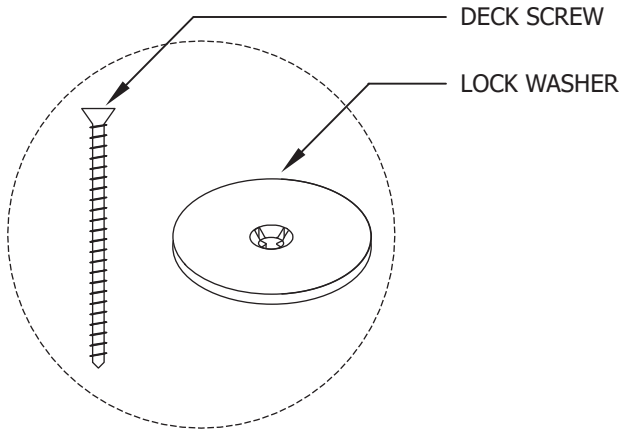


WOOD TILE & LOW-HEIGHT PEDESTAL

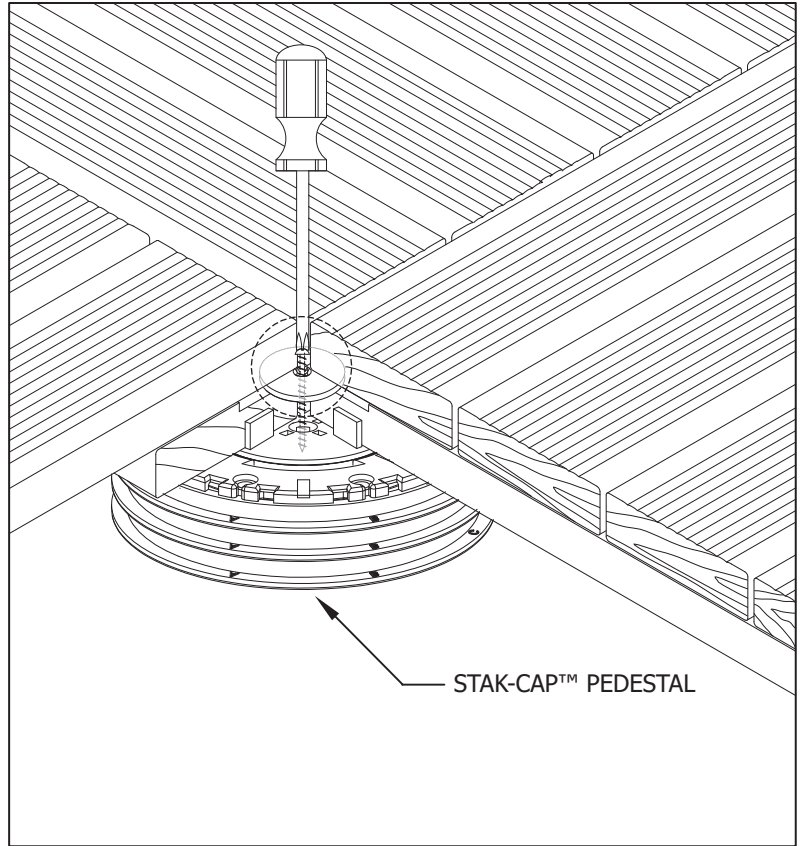
TRANSITION, ALIGNMENT & LOCK DOWN DETAILS

National Distribution Tel: 213-550-3803
 Toll Free: 888-550-3803 Fax: 213-380-5561

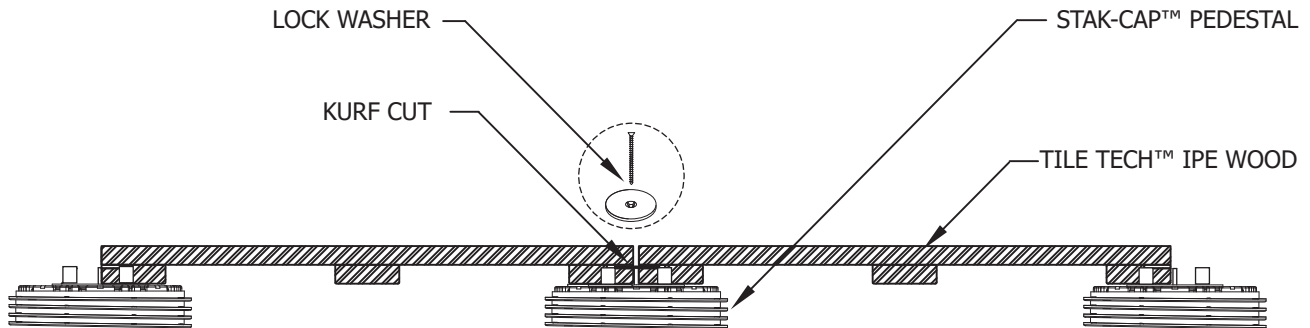


TILE TECH IPE™ WOOD TILES & STAK-CAP™ PEDESTALS SYSTEM COMPONENTS INCLUDES A IPE WOOD TILES, STAK-CAP™ PEDESTALS AND LOCK WASHER.

AFTER 3 TILES ARE INSTALLED ON TOP OF PEDESTAL, INSERT THE LOCK WASHER IN TO THE KURF CUT ON THE CORNERS OF THE 3 WOOD TILES. INSERT THE 4th PAVER IN TO THE 4th CORNER. ONCE ALL 4 PAVERS ARE TIGHTLY IN PLACE INSERT SCREW THROUGH LOCK WASHER AND HAND TIGHTEN IN TO PEDESTAL TOP UNTIL ALL 4 PAVERS ARE SECURELY FASTENED TO THE PEDESTAL. DO NOT OVER TIGHTEN.



IPE WOOD, PAVER & STAK-CAP™ PEDESTAL TRANSITION AND ALIGNMENT



GENERAL NOTES: APPLY TO ALL OF THE ABOVE PRODUCTS

1. INSTALLATION MUST BE COMPLETED IN ACCORDANCE WITH TILE UP INC PRODUCT SPECIFICATIONS.
2. DRAWING NOT TO SCALE.
3. USE OF BUFFER PADS IS MANDATORY.
4. CONTRACTOR'S NOTE: FOR PRODUCT AND COMPANY INFORMATION VISIT www.TILETECHPAVERS.com