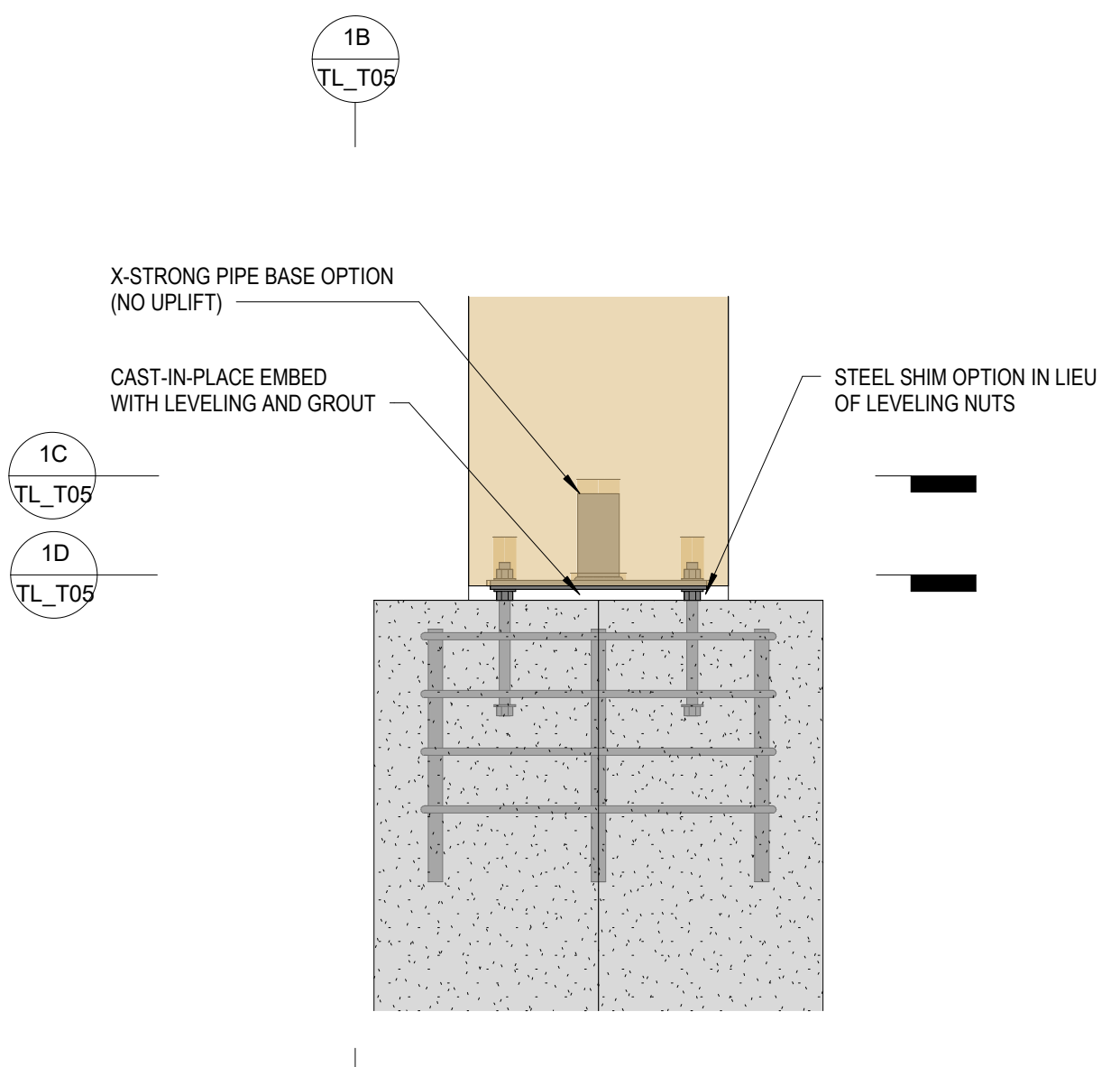
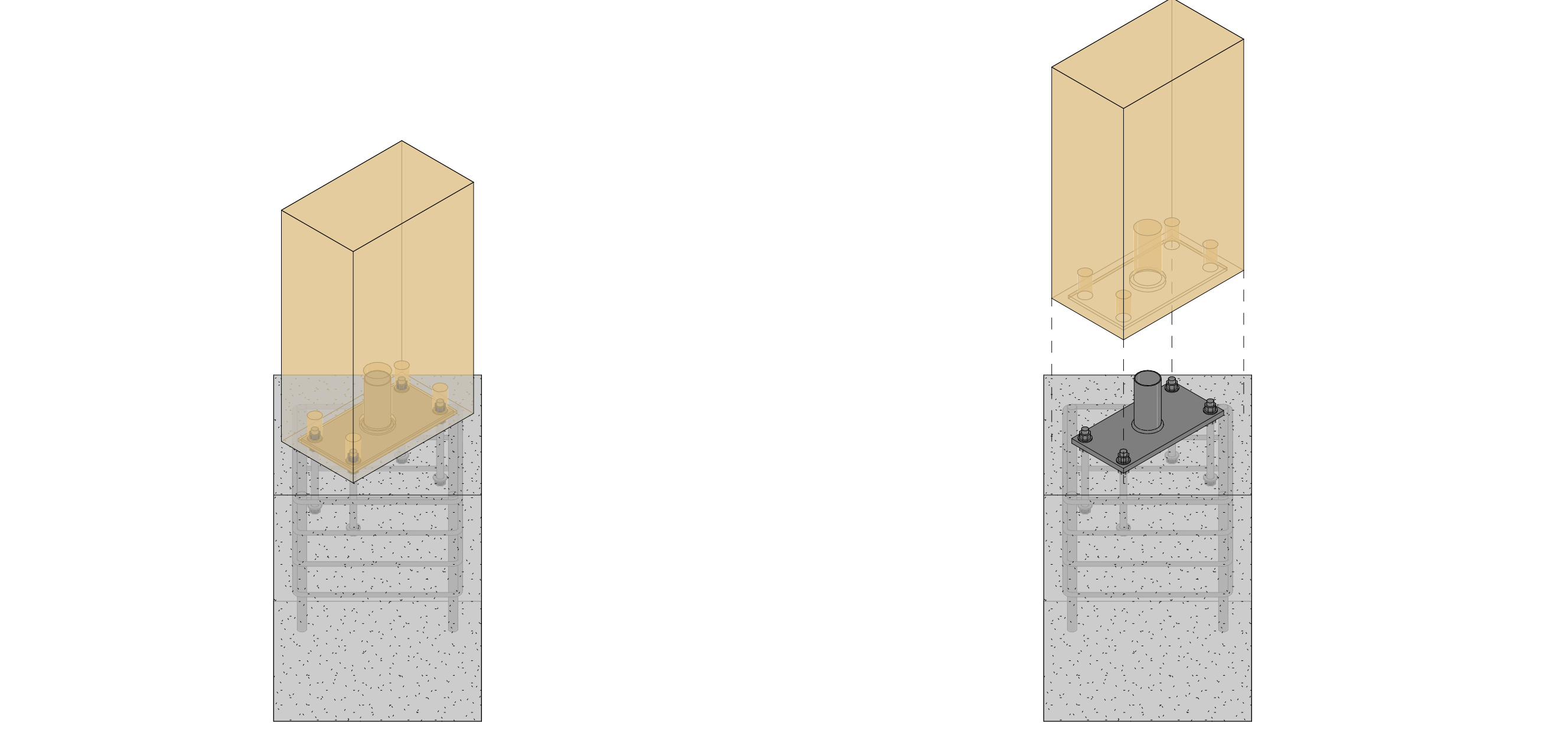
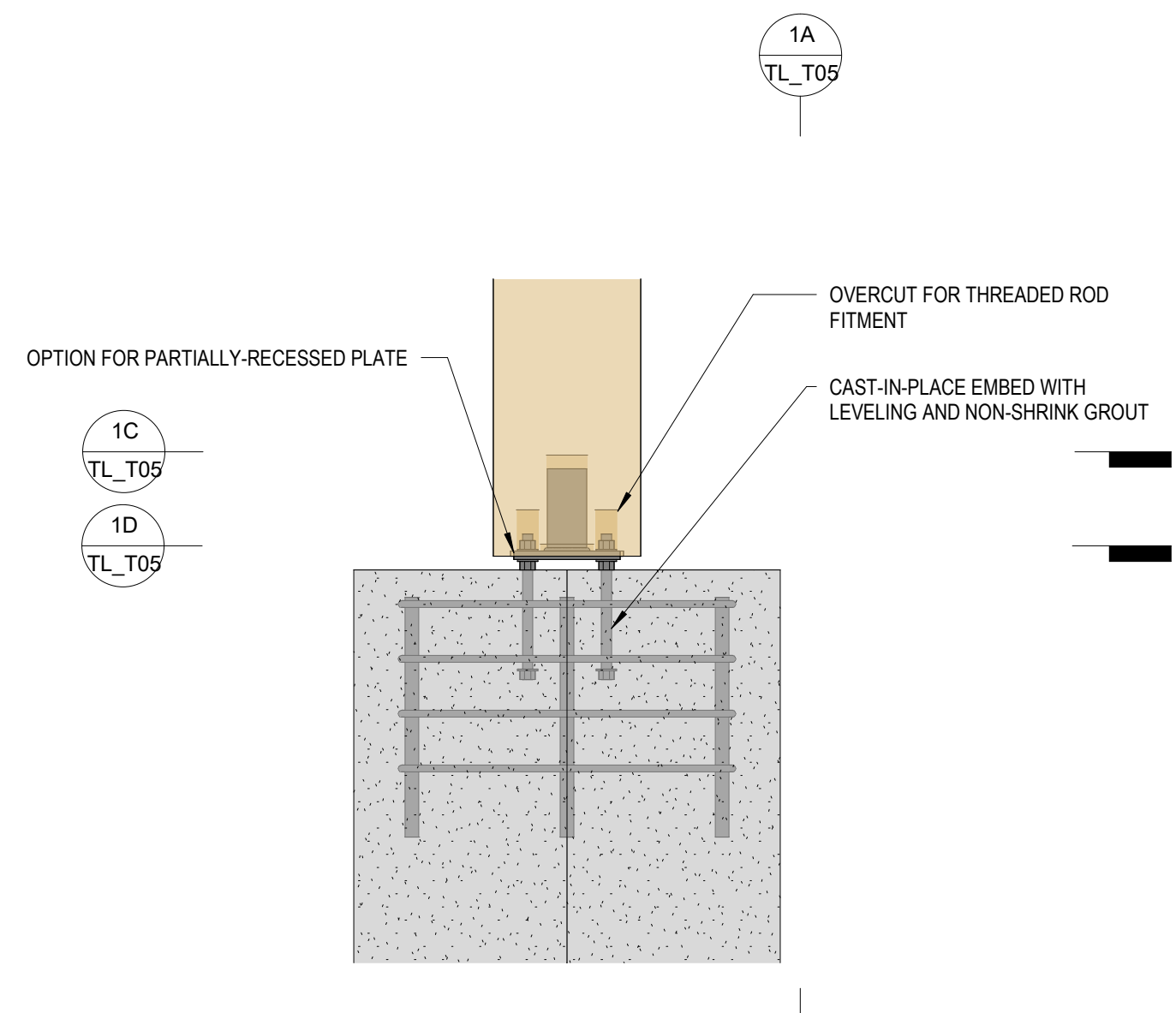


8/7/2024 7:42:49 AM

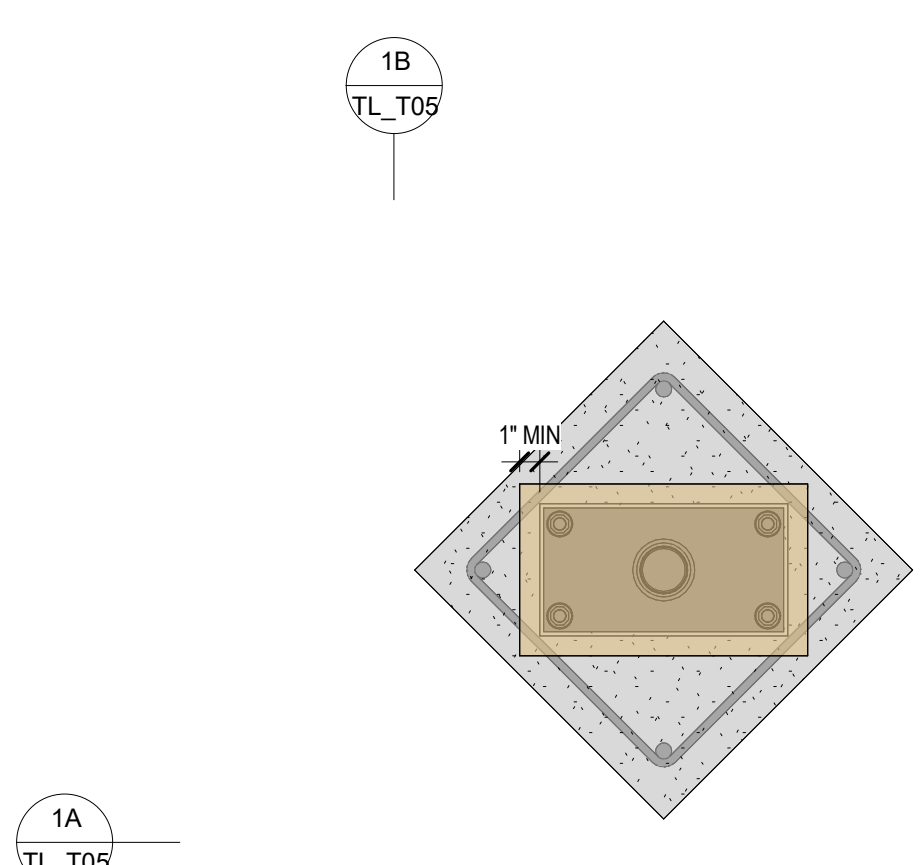
# 1 TIMBERLAB DETAILS - COLUMN BASE - PIPE



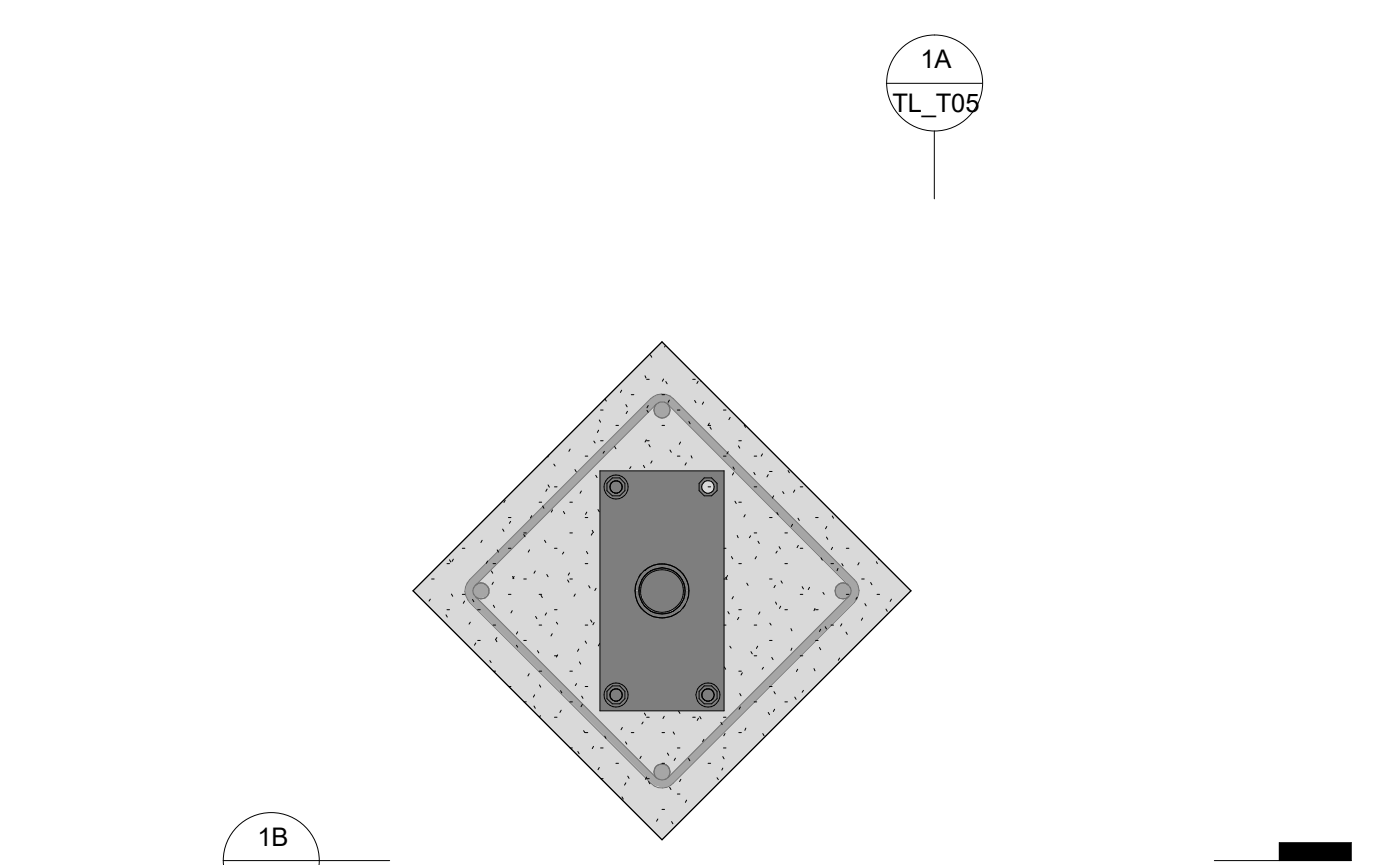
1A TIMBERLAB DETAILS - COLUMN BASE - PIPE - SECTION 1  
1" = 1'-0"



1B TIMBERLAB DETAILS - COLUMN BASE - PIPE - SECTION 2  
1" = 1'-0"

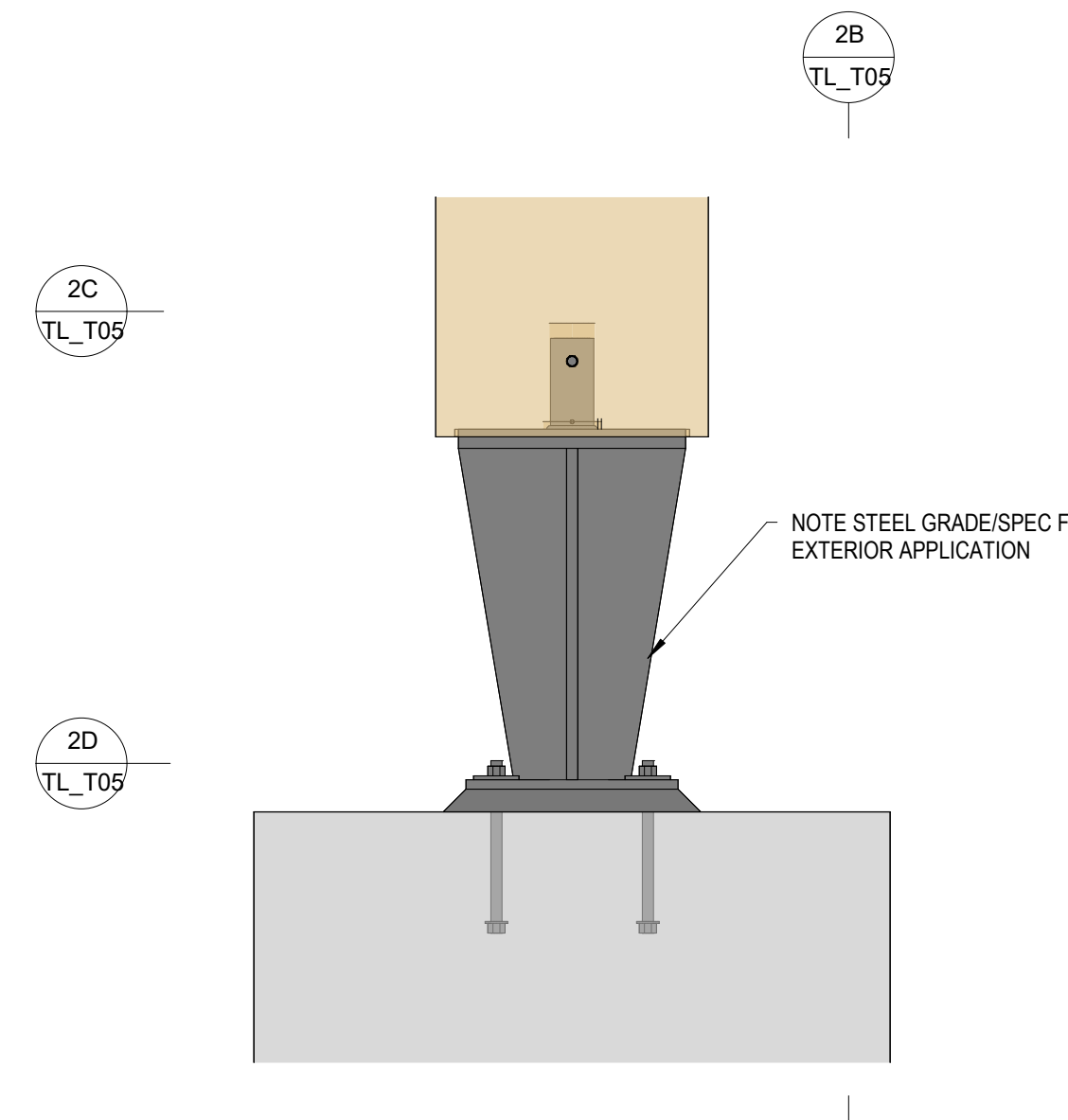
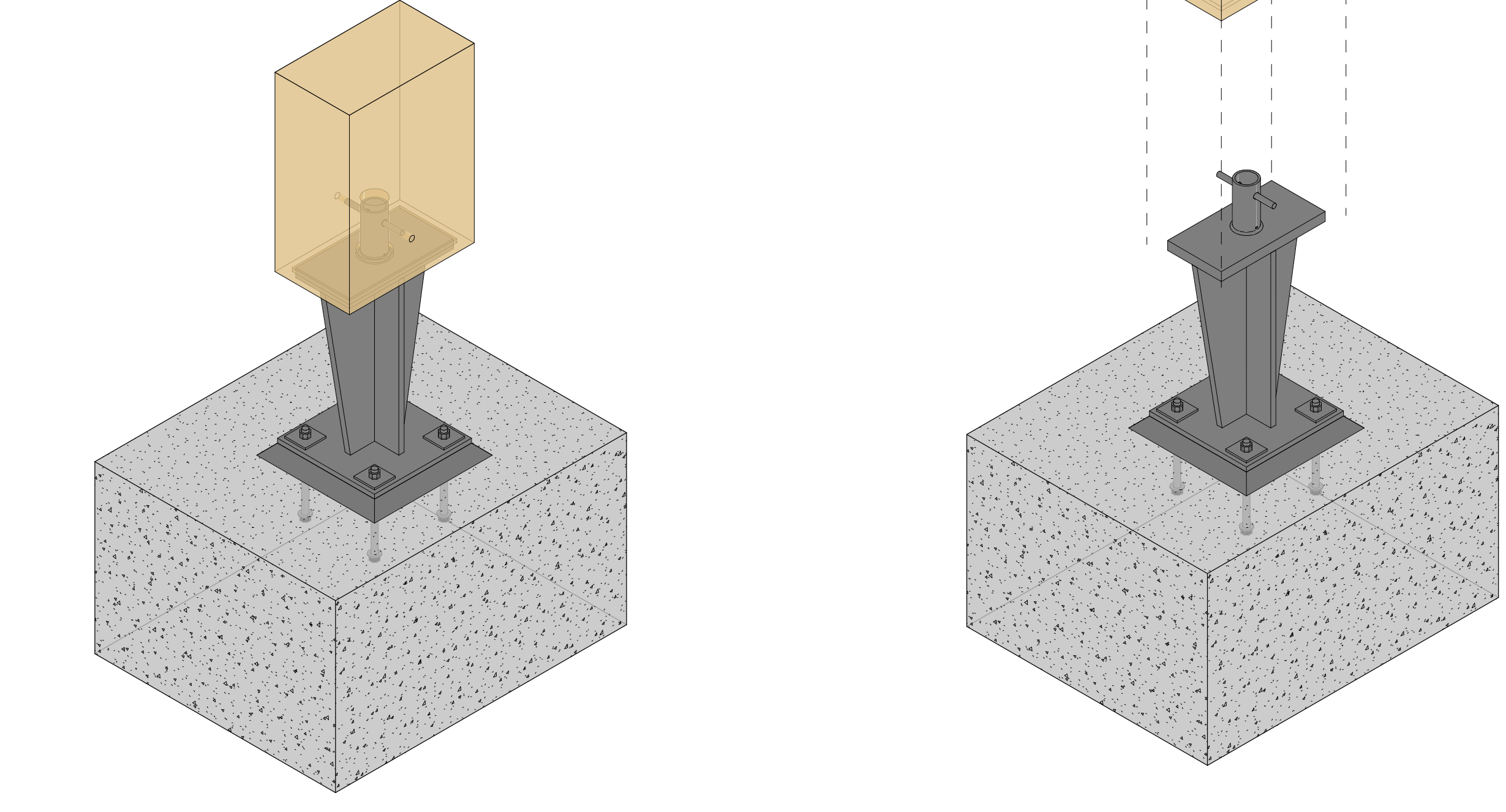


1A TIMBERLAB DETAILS - COLUMN BASE - PIPE - PLAN VIEW 1  
1" = 1'-0"

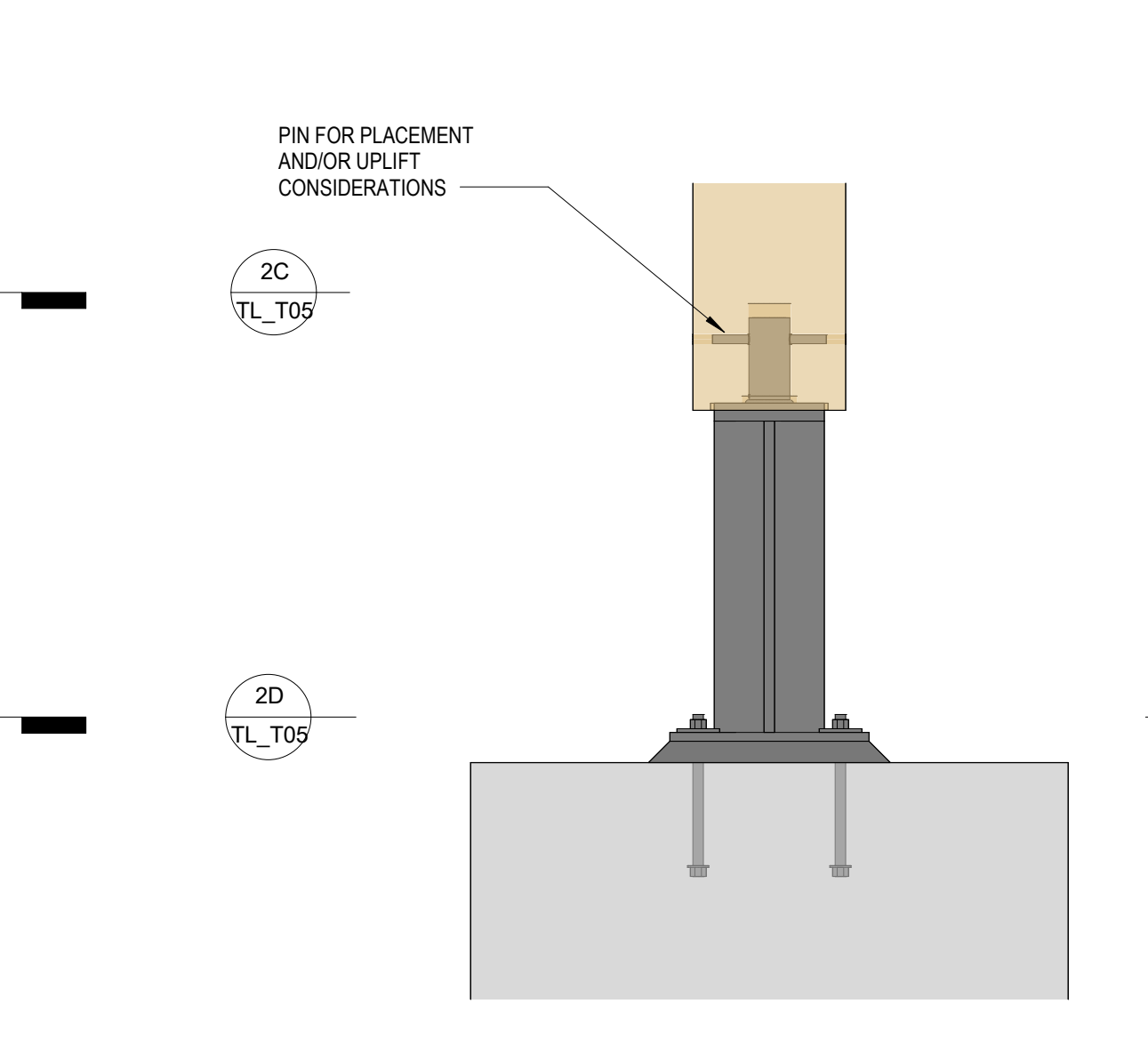


1B TIMBERLAB DETAILS - COLUMN BASE - PIPE - PLAN VIEW 2  
1" = 1'-0"

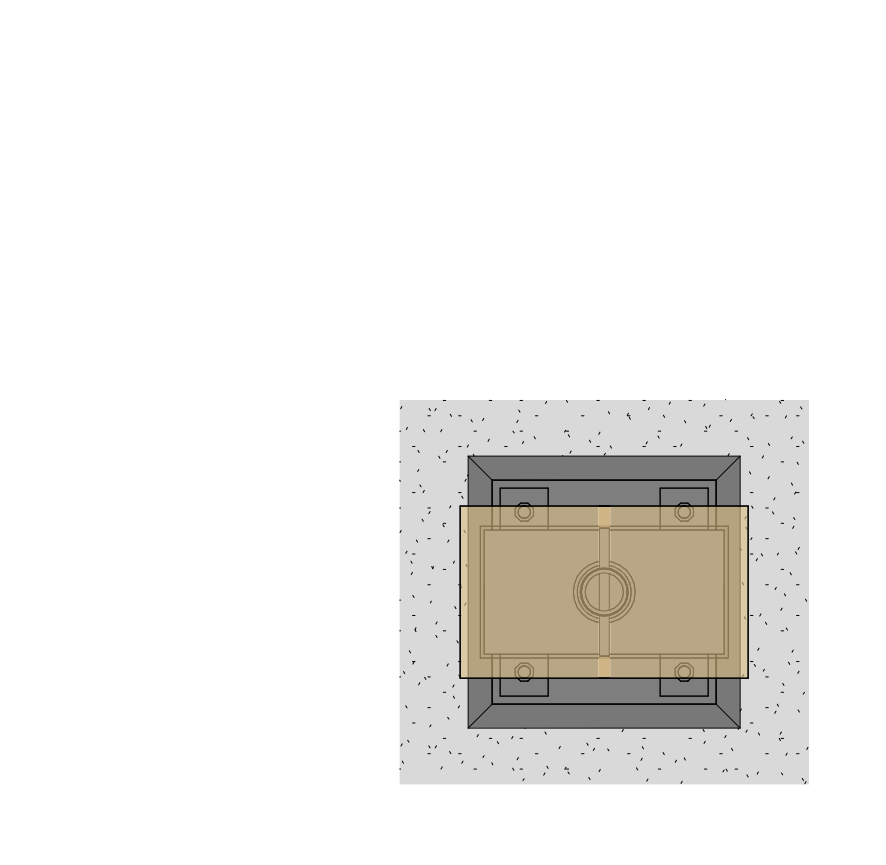
# 2 TIMBERLAB DETAILS - COLUMN BASE - PIPE - STEPPED OR EXTERIOR



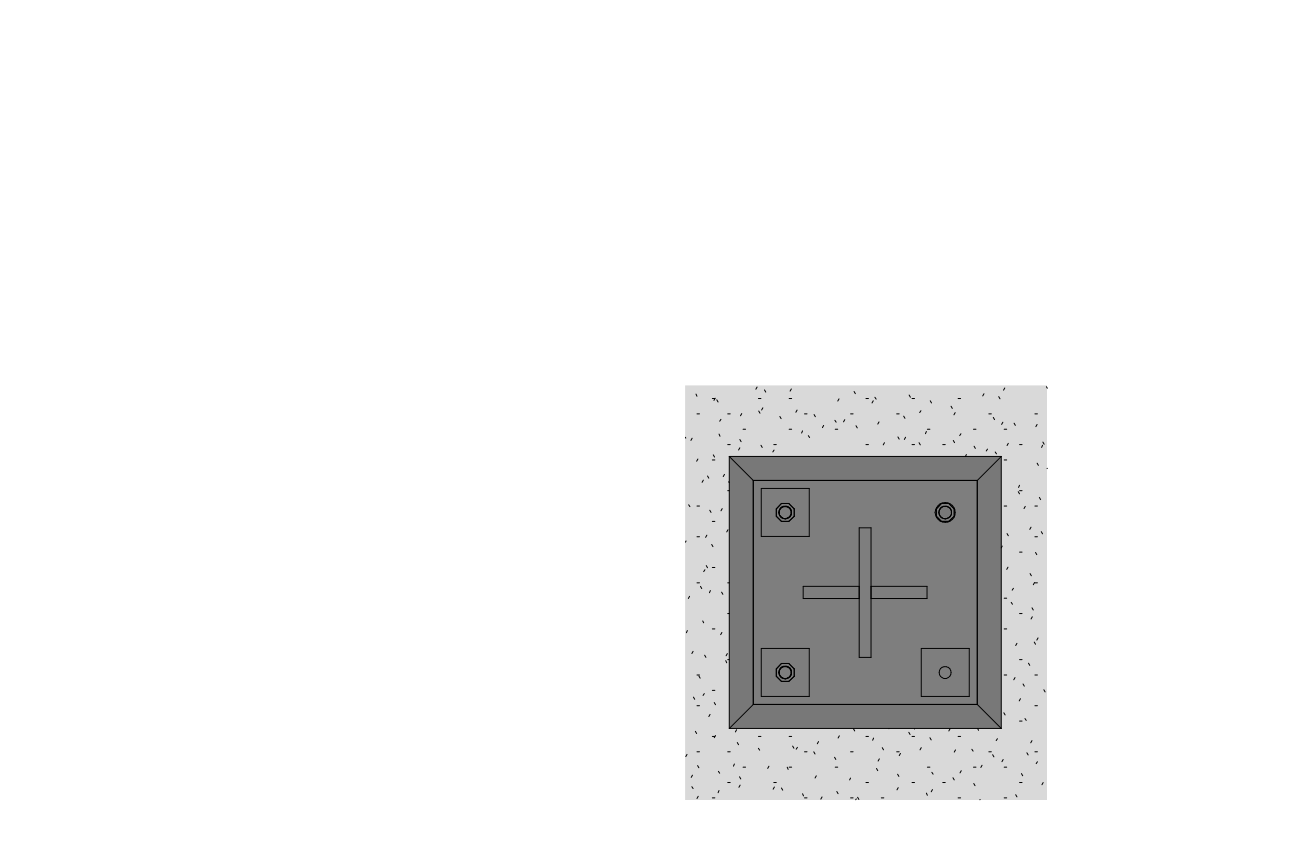
2A TIMBERLAB DETAILS - COLUMN BASE - PIPE - STEPPED OR EXTERIOR - SECTION 1  
1" = 1'-0"



2B TIMBERLAB DETAILS - COLUMN BASE - PIPE - STEPPED OR EXTERIOR - SECTION 2  
1" = 1'-0"



2A TIMBERLAB DETAILS - COLUMN BASE - PIPE - STEPPED OR EXTERIOR - PLAN VIEW 1  
1" = 1'-0"



2B TIMBERLAB DETAILS - COLUMN BASE - PIPE - STEPPED OR EXTERIOR - PLAN VIEW 2  
1" = 1'-0"



## TIMBERLAB

1601 N Columbia Blvd  
Portland, OR 97217

1610 Old Grove Road, Suite A  
Piedmont, SC 29360

503.224.6888

PROJECT:

SET ISSUANCE:

DATE ISSUED: 07/09/24

No.	Description	Date
1	REFERENCE	07/09/24

SHEET SIZE: 30x42  
DRAWN BY:  
CHECKED BY:

SHEET:

### TIMBERLAB DETAILS - COLUMN BASE - STEPPED OR EXTERIOR WITH PIPE

# TL\_T05