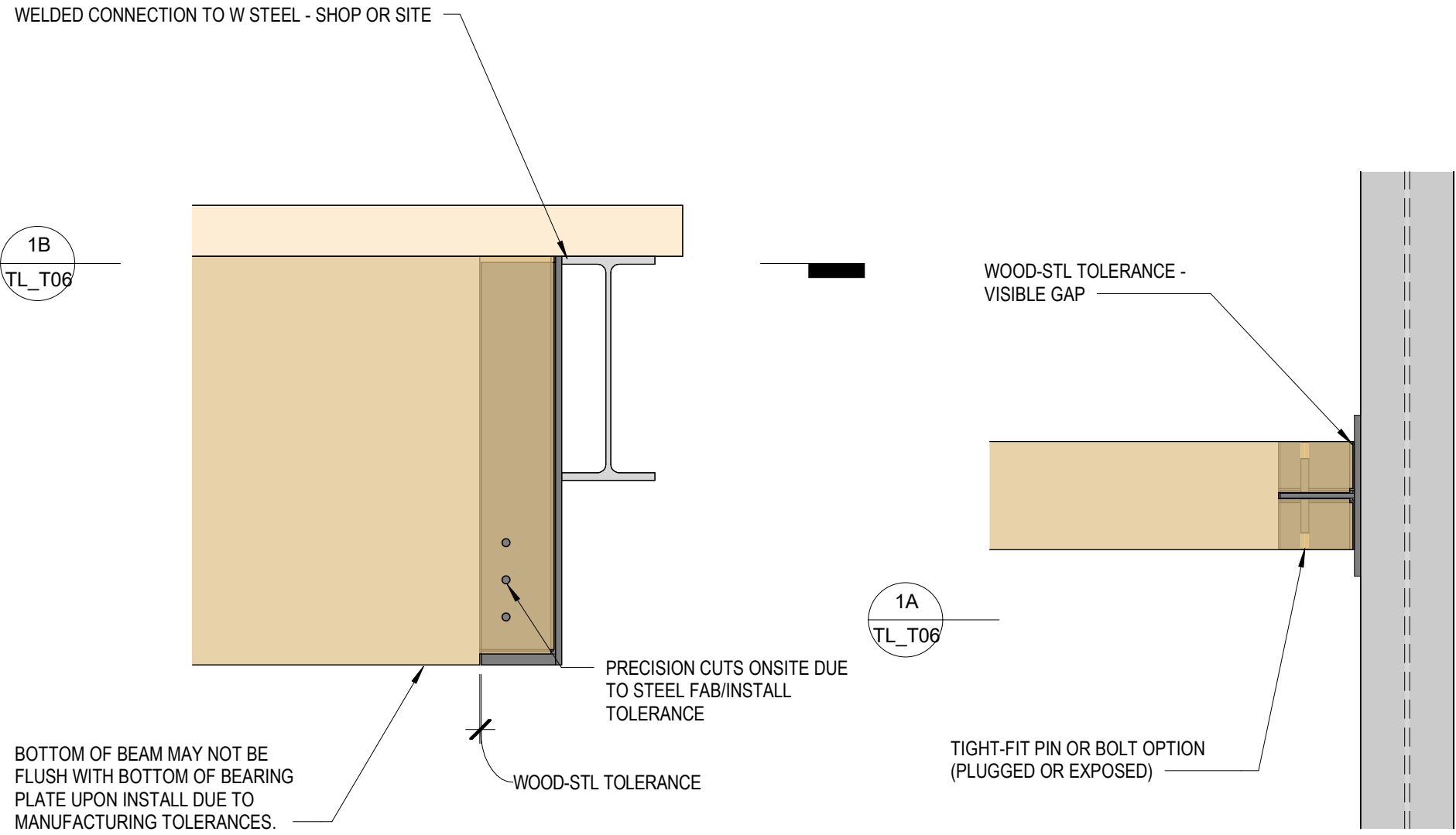
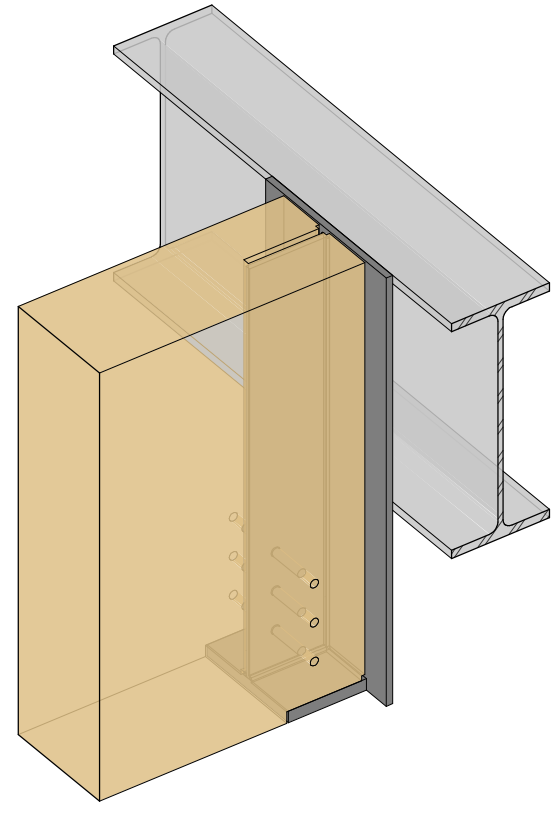


**1** TIMBERLAB DETAILS - BEAM-TO-STEEL - WF BEAM



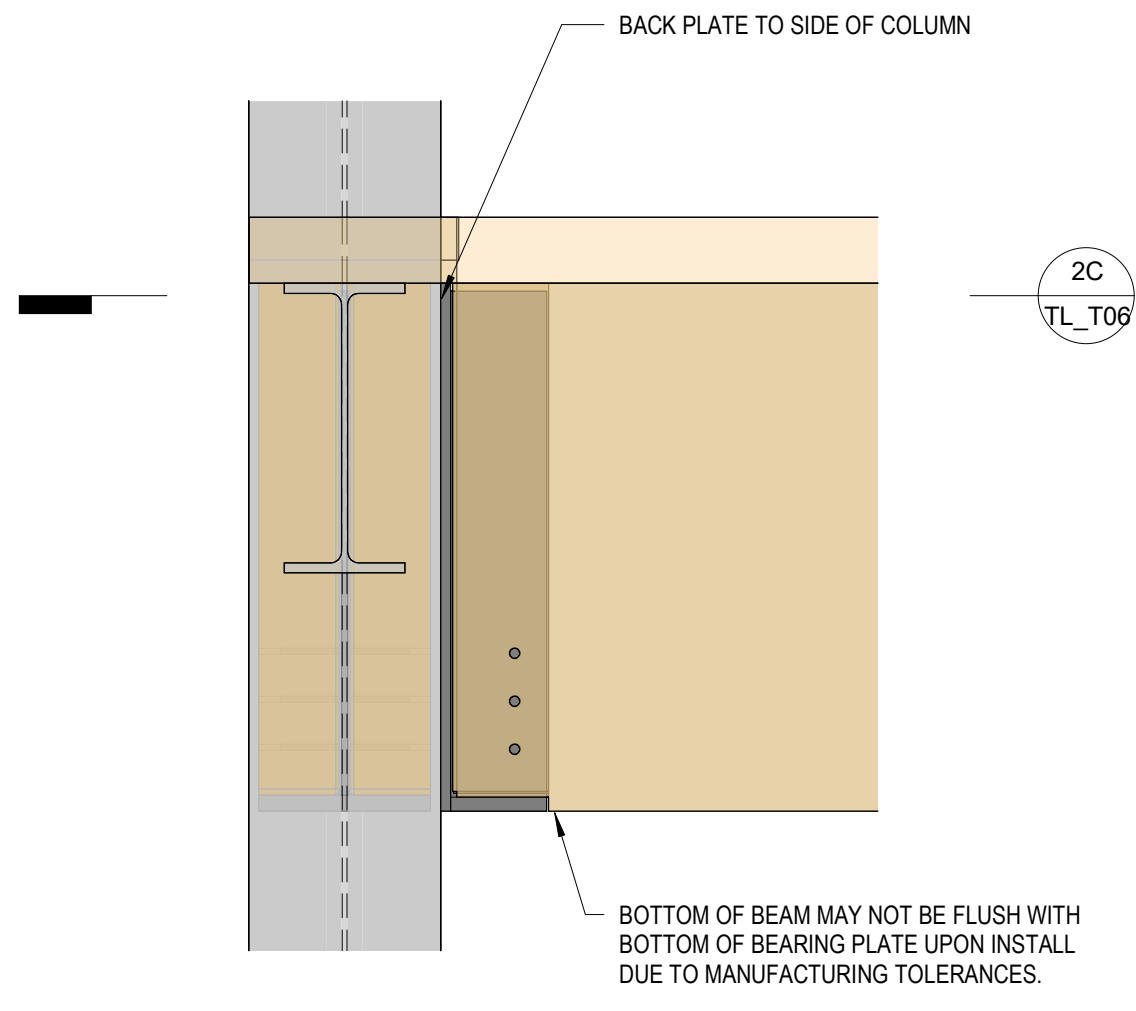
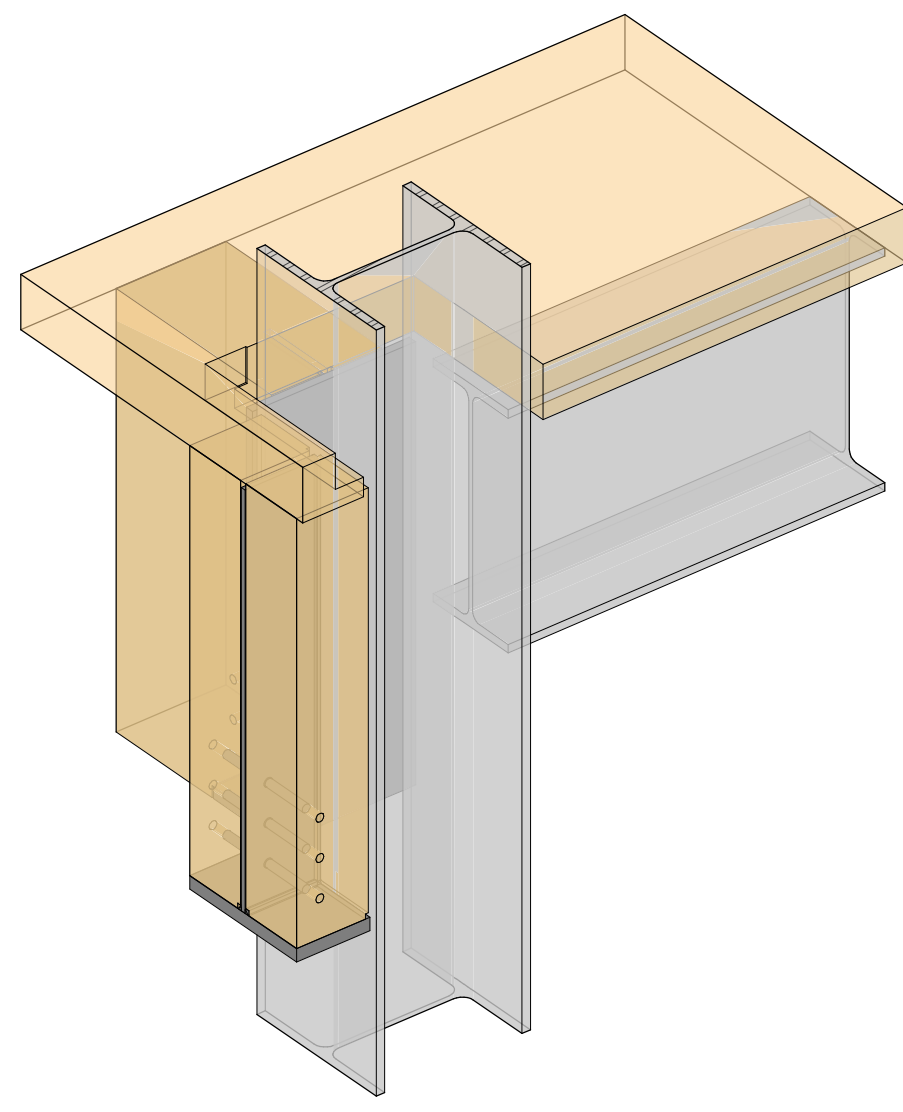
1A  
1" = 1'-0"

TIMBERLAB DETAILS - BEAM-TO-STEEL -  
WF BEAM - SECTION 1

1B  
1" = 1'-0"

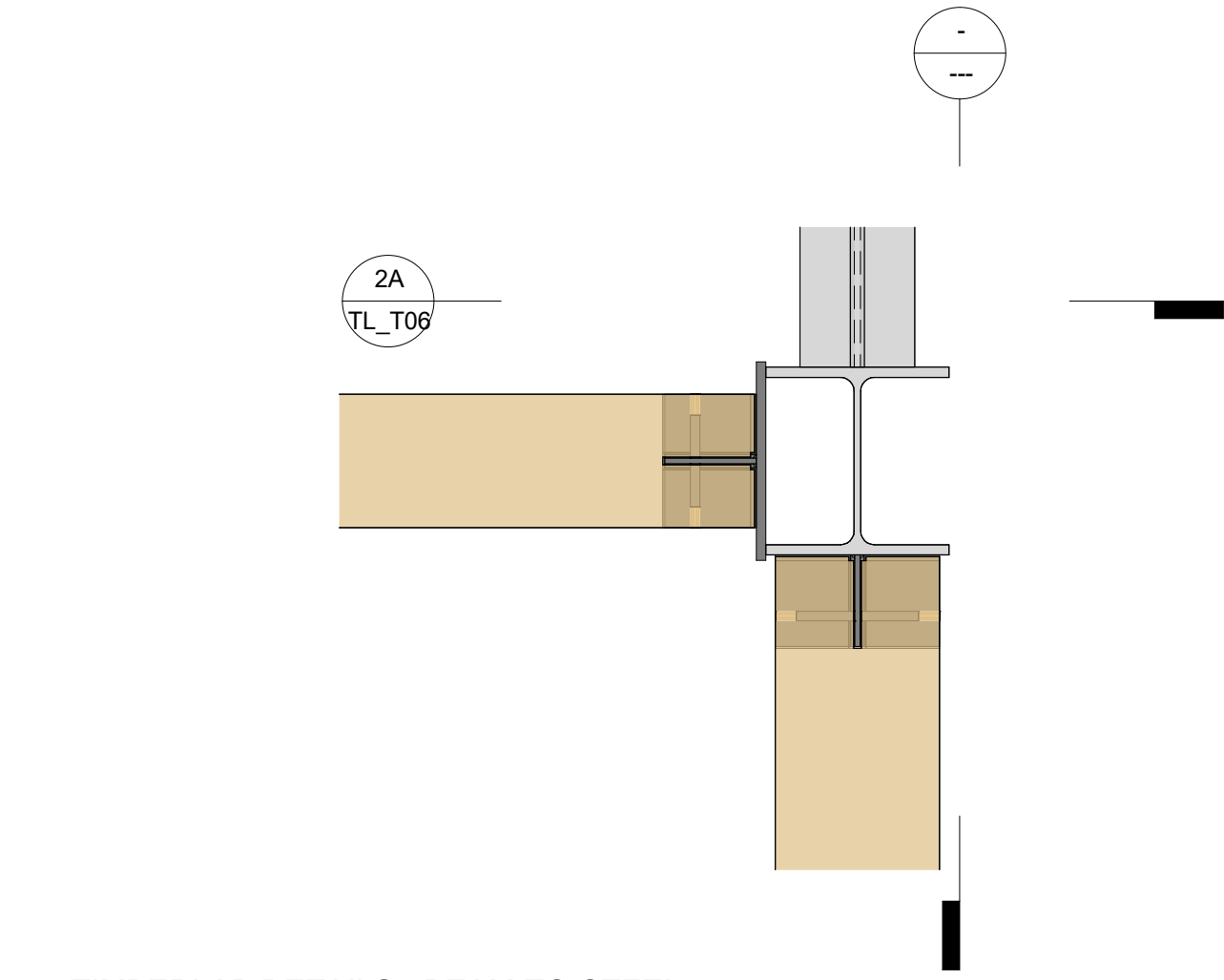
TIMBERLAB DETAILS - BEAM-TO-STEEL -  
WF BEAM - PLAN VIEW

**2** TIMBERLAB DETAILS - BEAM-TO-STEEL - WF COLUMN



2A  
1" = 1'-0"

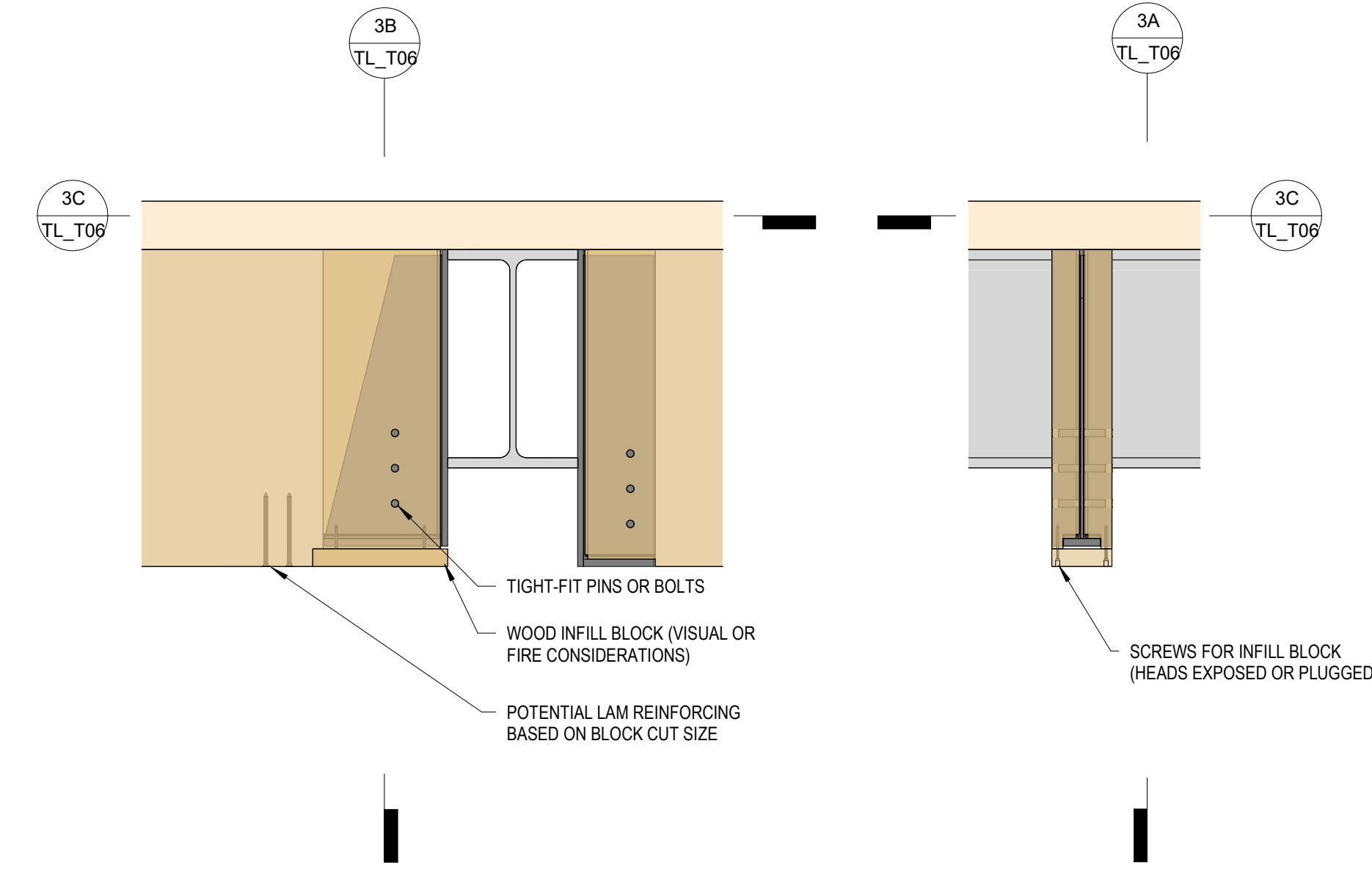
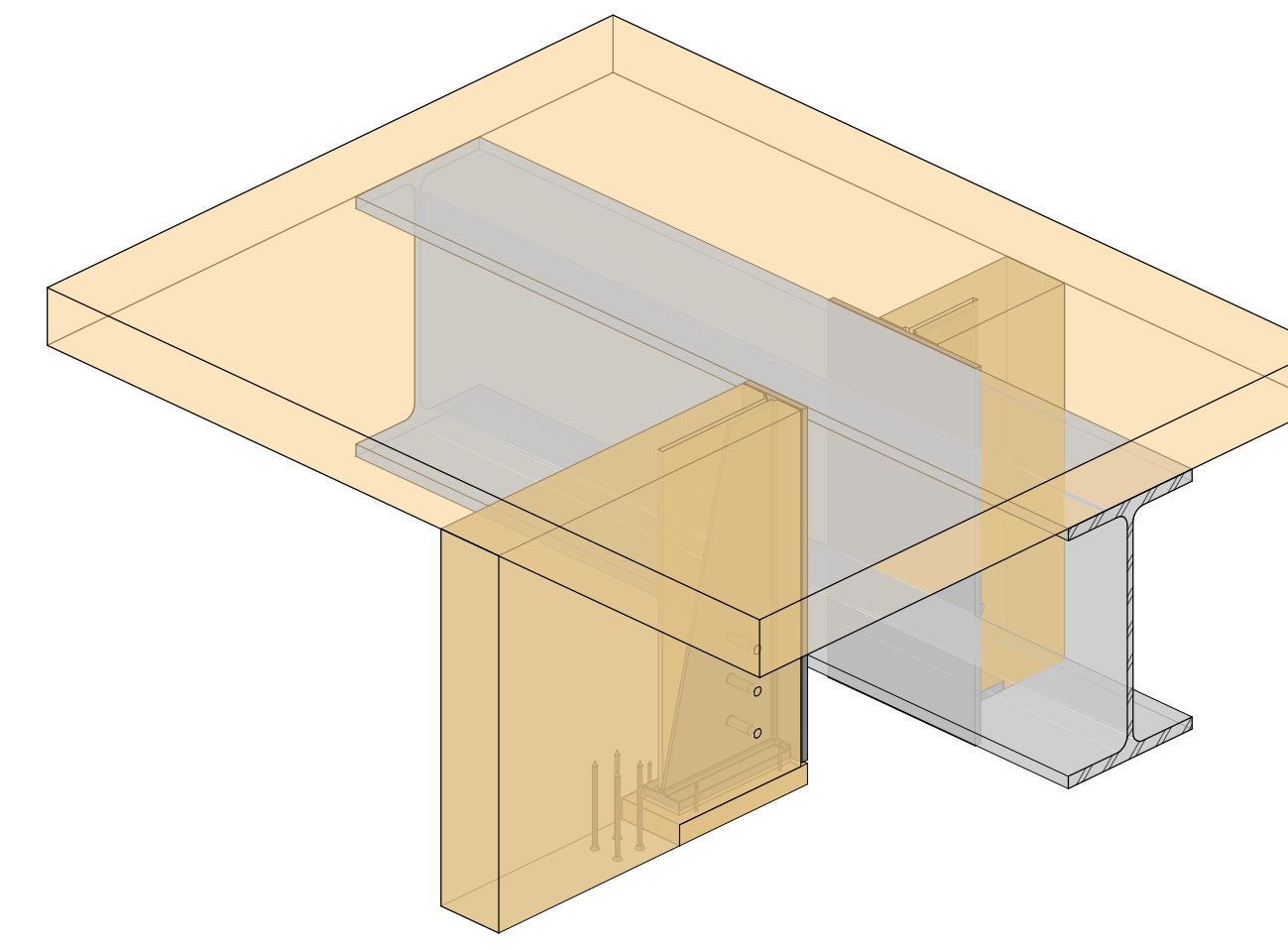
TIMBERLAB DETAILS - BEAM-TO-STEEL -  
WF COLUMN SECTION 1



2C  
1" = 1'-0"

TIMBERLAB DETAILS - BEAM-TO-STEEL -  
WF COLUMN PLAN VIEW

**3** TIMBERLAB DETAILS - BEAM-TO-STEEL - WF BEAM - CONCEALED BRG PL

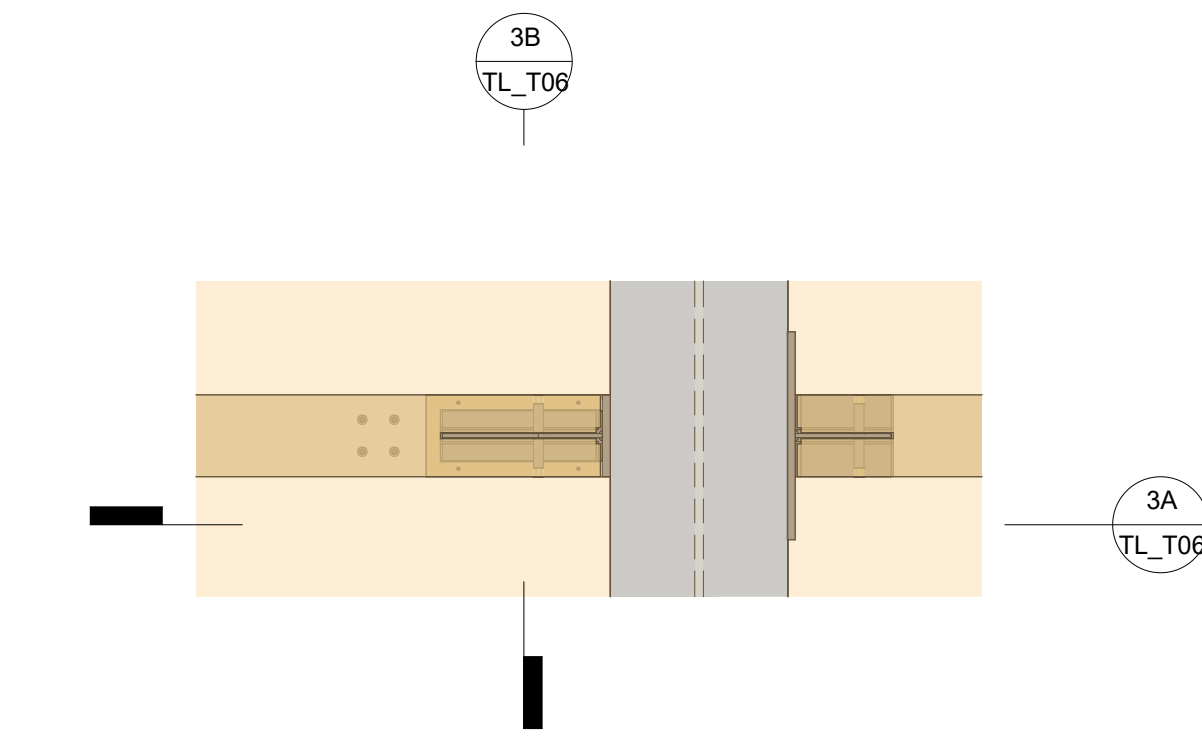


3A  
1" = 1'-0"

TIMBERLAB DETAILS - BEAM-TO-STEEL -  
WF BEAM - CONCEALED BRG PL -  
SECTION 1

3B  
1" = 1'-0"

TIMBERLAB DETAILS - BEAM-TO-STEEL -  
WF BEAM - CONCEALED BRG PL -  
SECTION 2



3C  
1" = 1'-0"

TIMBERLAB DETAILS - BEAM-TO-STEEL -  
WF BEAM - CONCEALED BRG PL - PLAN  
VIEW



**TIMBERLAB**

1601 N Columbia Blvd  
Portland, OR 97217

1610 Old Grove Road, Suite A  
Piedmont, SC 29360

503.224.6888

PROJECT:

SET ISSUANCE:

DATE ISSUED: 07/09/24

| No. | Description | Date     |
|-----|-------------|----------|
| 1   | REFERENCE   | 07/09/24 |
|     |             |          |
|     |             |          |
|     |             |          |
|     |             |          |
|     |             |          |
|     |             |          |
|     |             |          |
|     |             |          |
|     |             |          |
|     |             |          |
|     |             |          |
|     |             |          |
|     |             |          |
|     |             |          |

SHEET SIZE: 30x42

DRAWN BY:

CHECKED BY:

SHEET:

**TIMBERLAB DETAILS -  
BEAM-TO-STEEL**

**TL\_T06**

8/7/2024 7:42:51 AM