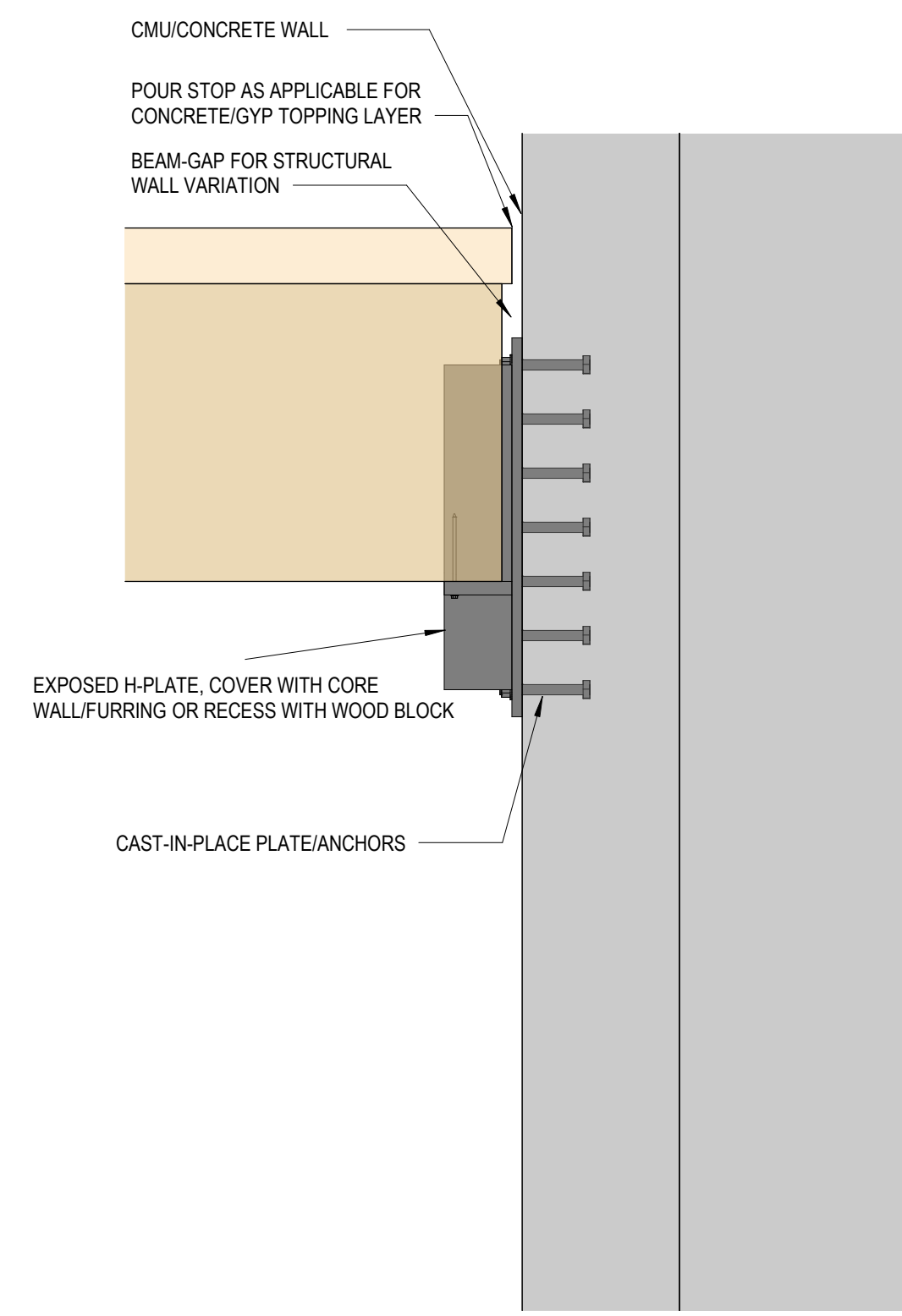
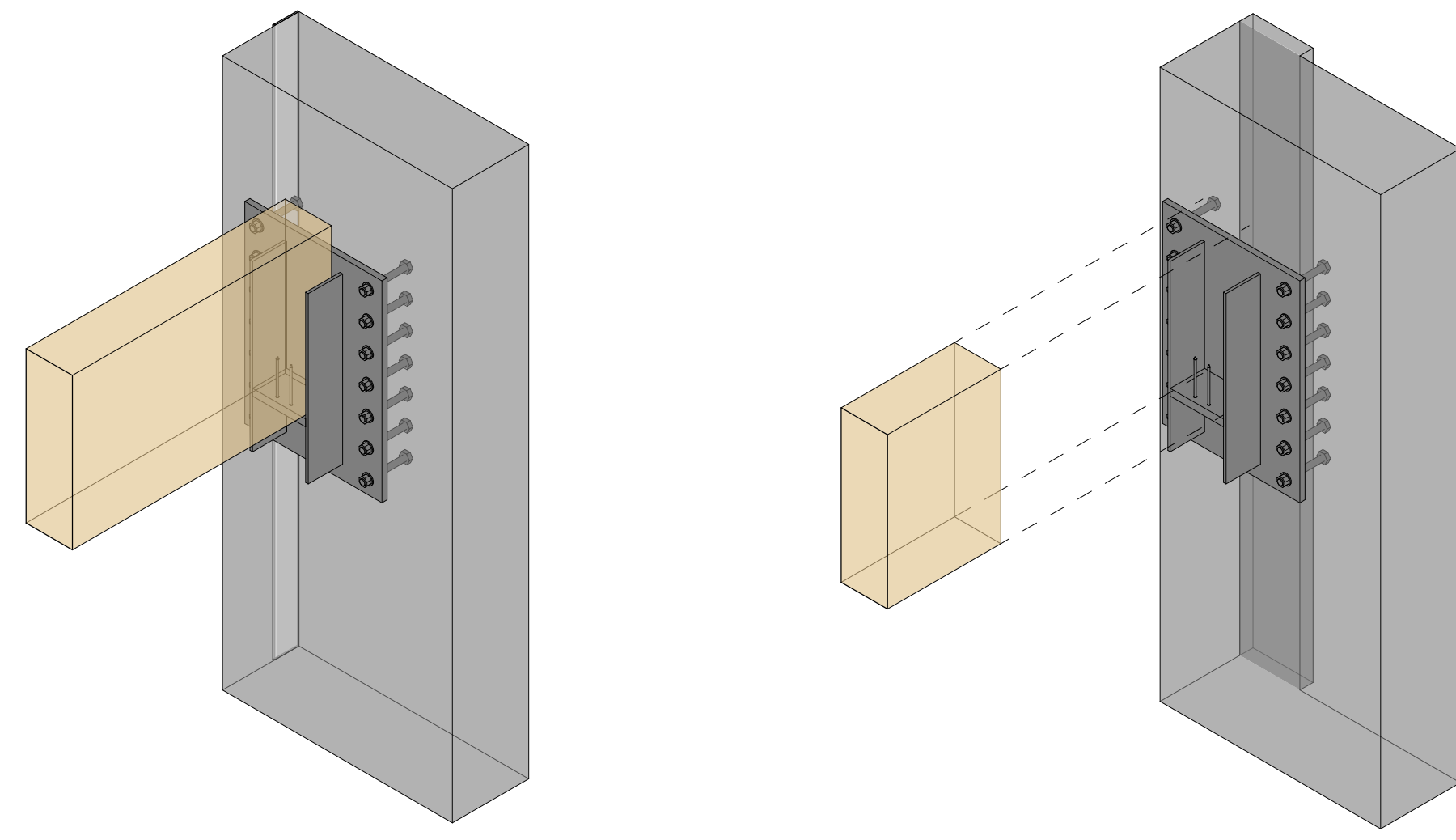
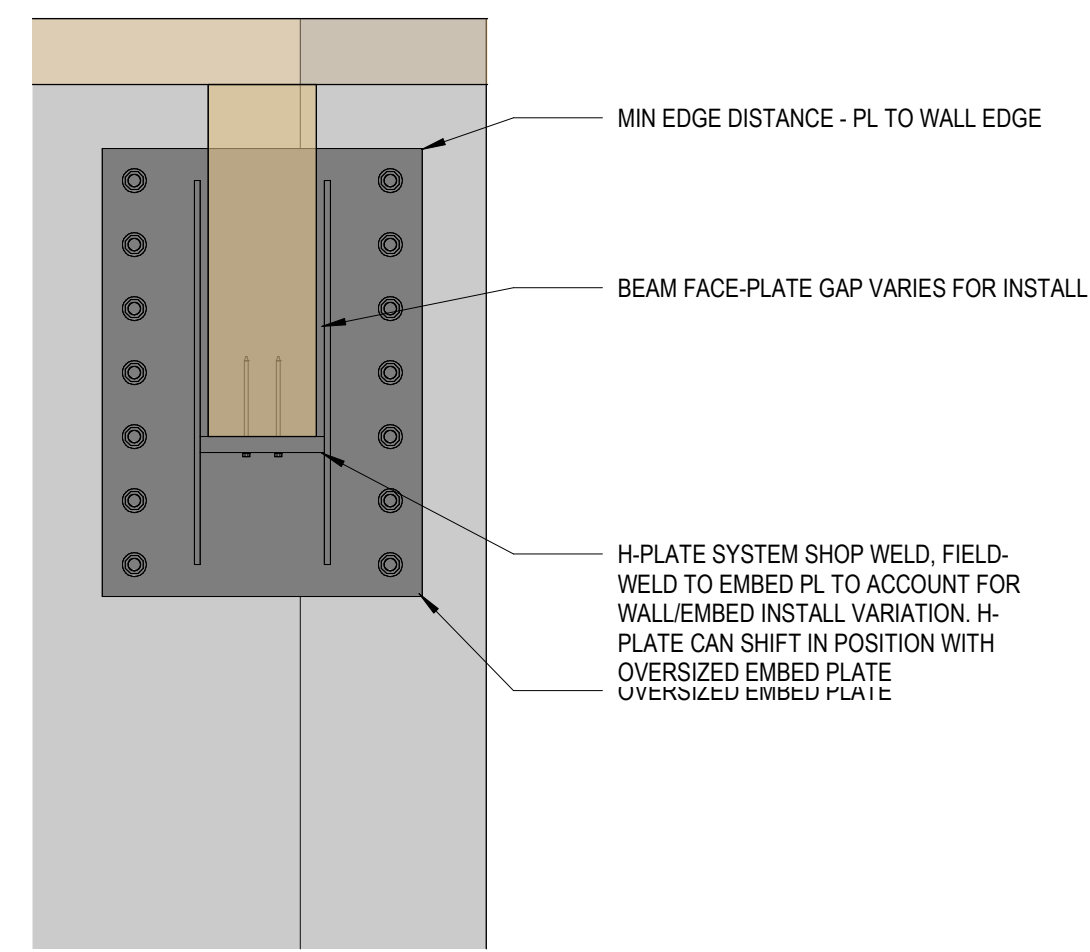


8/7/2024 7:47:03 AM

1 TIMBERLAB DETAILS - BEAM-TO-CMU/CONCRETE WALL



TIMBERLAB DETAILS -
BEAM-TO-CMU/CONCRETE WALL -
SECTION 1
1A
1" = 1'-0"



TIMBERLAB DETAILS -
BEAM-TO-CMU/CONCRETE WALL -
SECTION 2
1B
1" = 1'-0"



TIMBERLAB

1601 N Columbia Blvd
Portland, OR 97217

1610 Old Grove Road, Suite A
Piedmont, SC 29360

503.224.6888

PROJECT:

SET ISSUANCE:

DATE ISSUED: 07/17/24

No.	Description	Date
1	REFERENCE	07/17/24

SHEET SIZE: 30x42
DRAWN BY:
CHECKED BY:

SHEET:

TIMBERLAB DETAILS -
BEAM-TO-CMU/CONCRETE
WALL

TL_T07