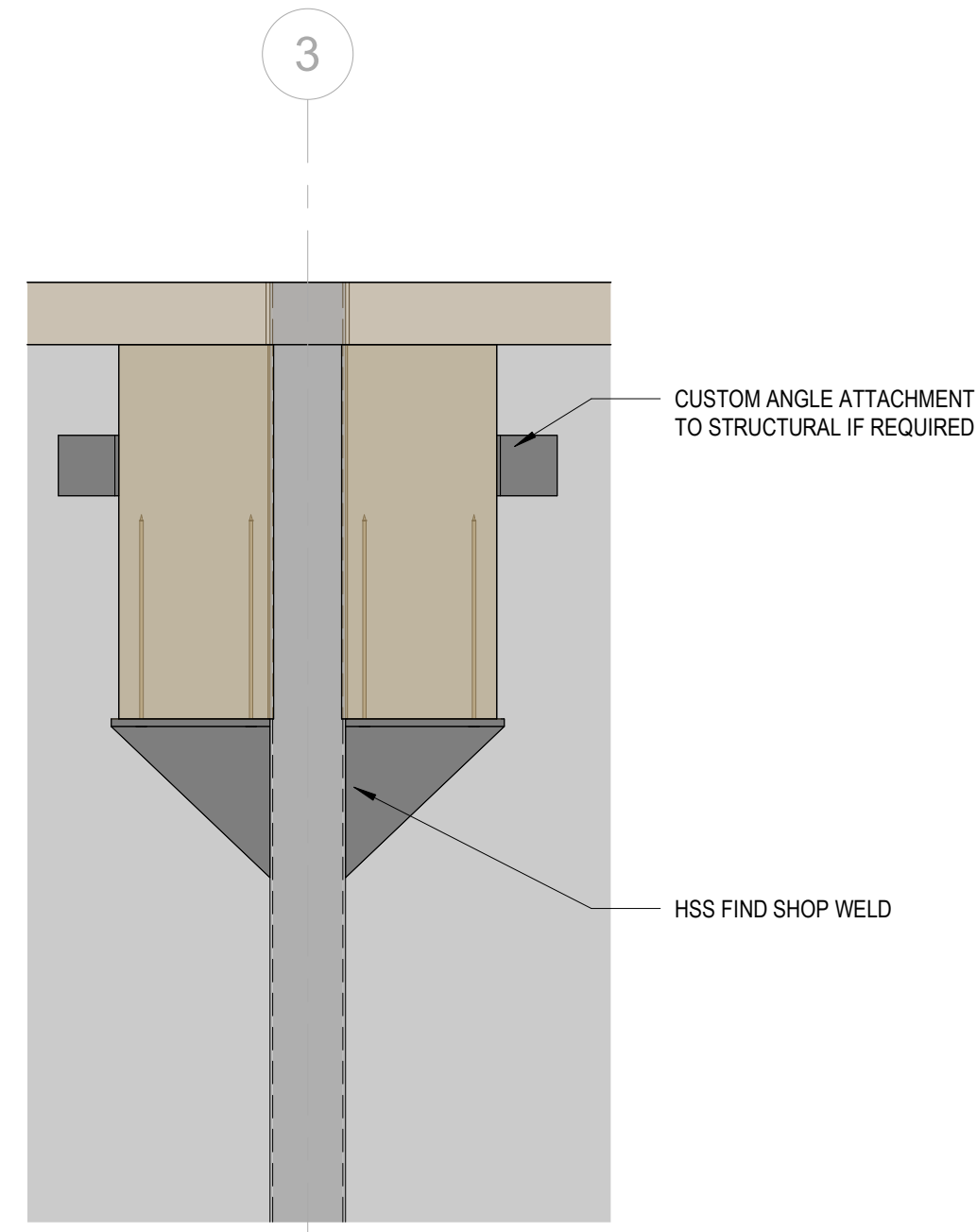
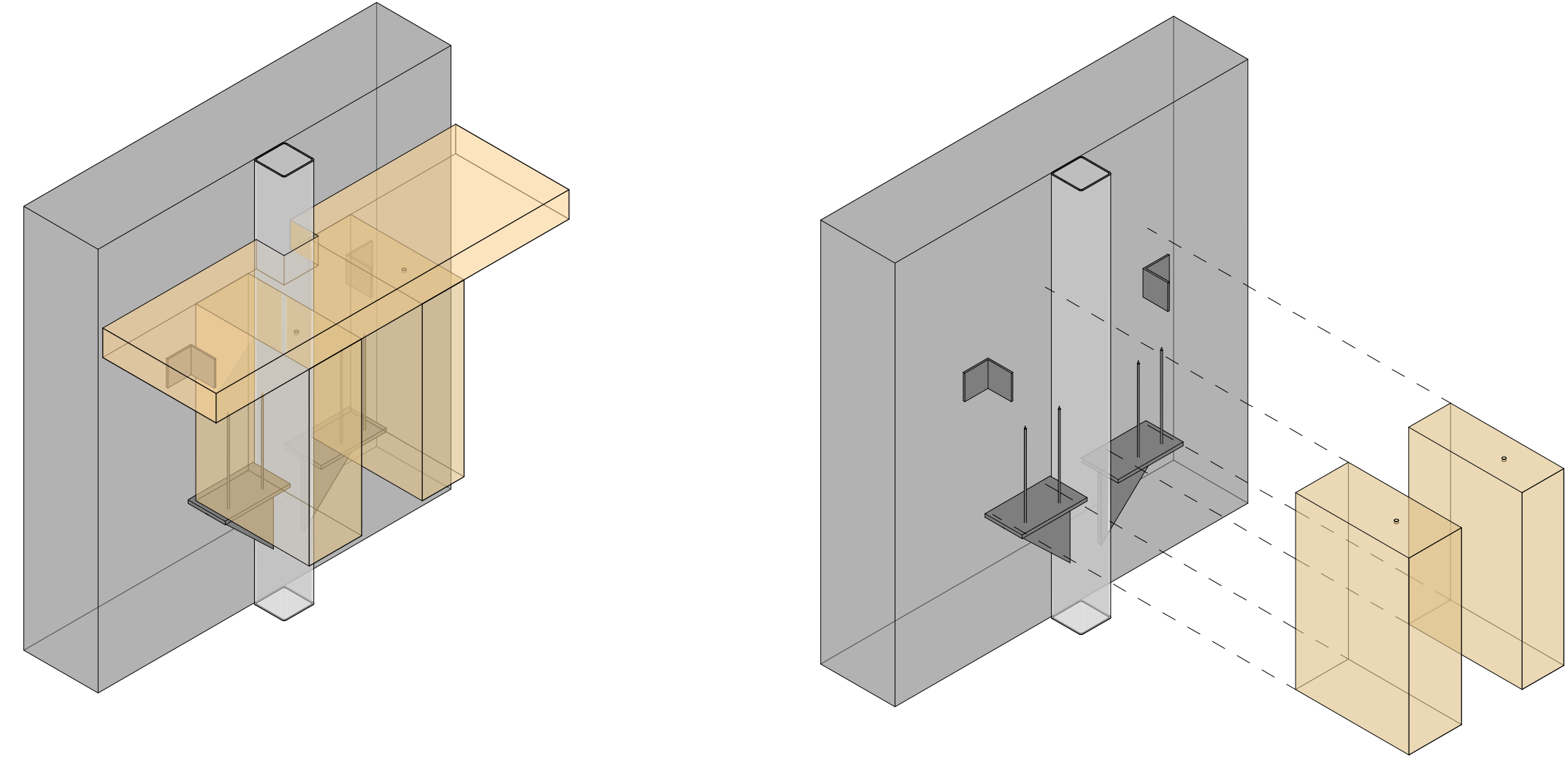
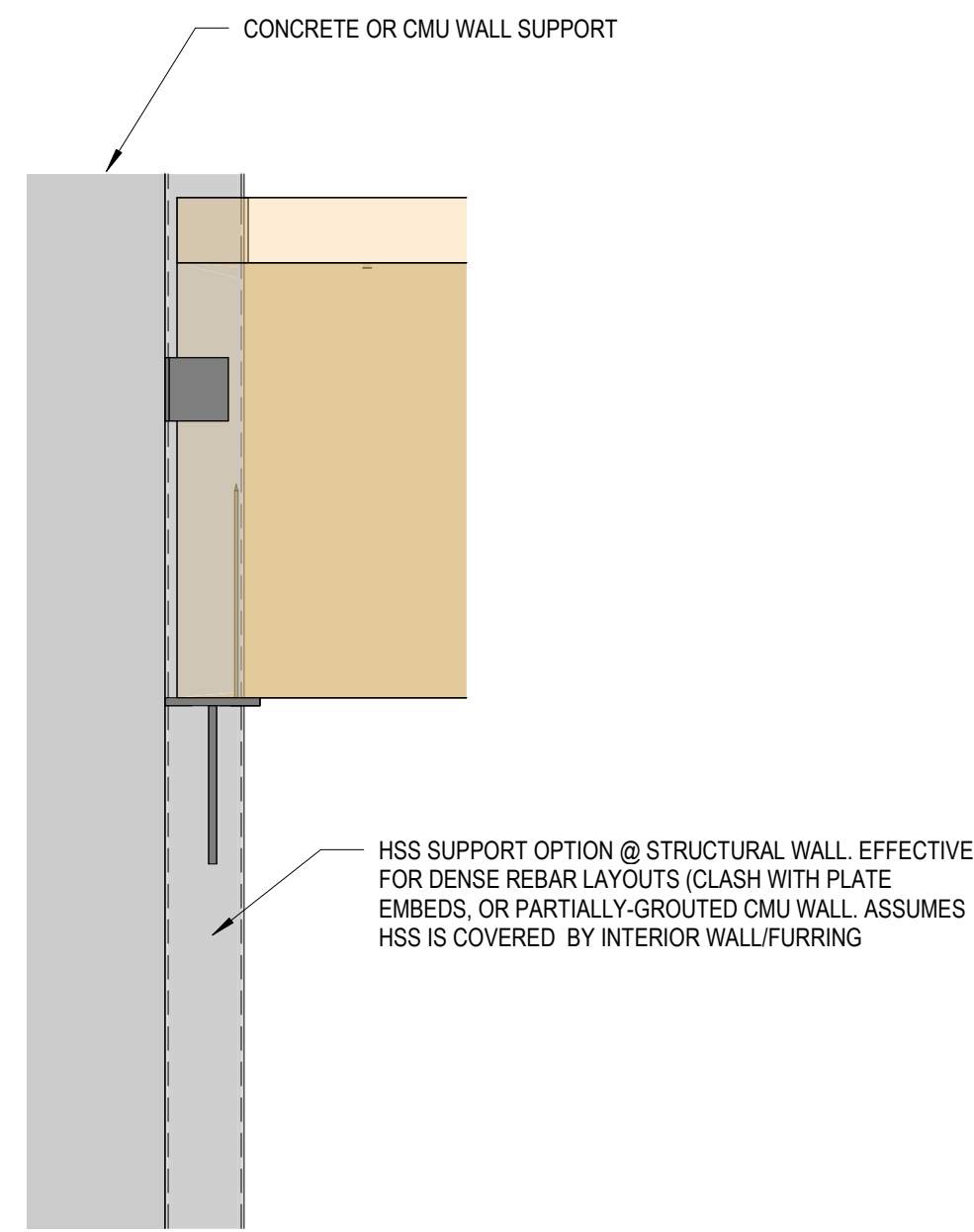


8/7/2024 7:47:04 AM

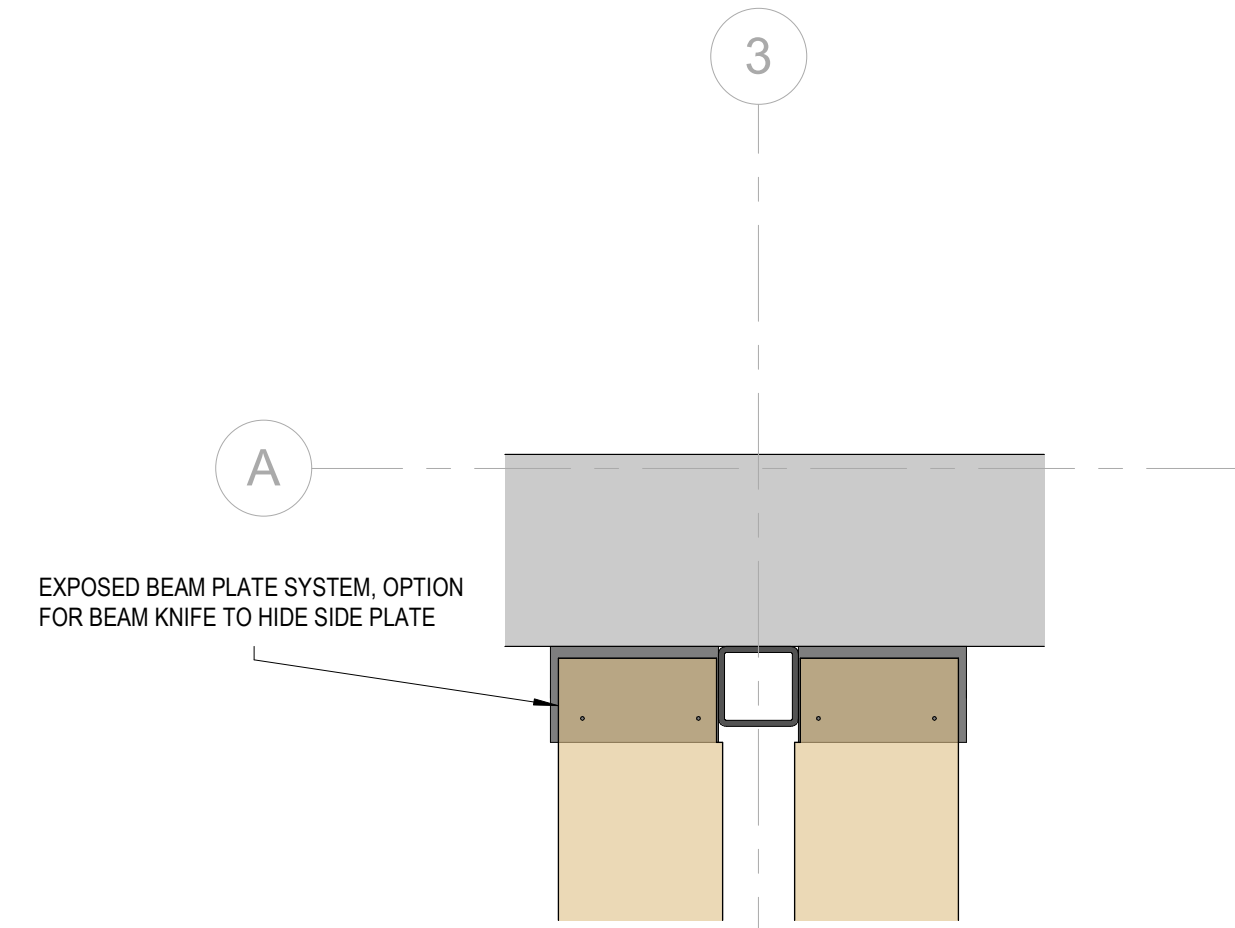
1 TIMBERLAB DETAILS - BEAM-TO-CMU/CONCRETE WALL - ALT SUPPORT



1B TIMBERLAB DETAILS - BEAM-TO-CMU/CONCRETE WALL - ALT SUPPORT - SECTION 2 1" = 1'-0"



1A TIMBERLAB DETAILS - BEAM-TO-CMU/CONCRETE WALL - ALT SUPPORT - SECTION 1 1" = 1'-0"



1C TIMBERLAB DETAILS - BEAM-TO-CMU/CONCRETE WALL - ALT SUPPORT - PLAN VIEW 1" = 1'-0"



TIMBERLAB

1601 N Columbia Blvd
Portland, OR 97217

1610 Old Grove Road, Suite A
Piedmont, SC 29360

503.224.6888

PROJECT:

SET ISSUANCE:

DATE ISSUED: 07/17/24

No.	Description	Date
1	REFERENCE	07/17/24

SHEET SIZE: 30x42
DRAWN BY:
CHECKED BY:

SHEET:

TIMBERLAB DETAILS - BEAM-TO-CMU/CONCRETE WALL - ALT SUPPORT

TL_T08