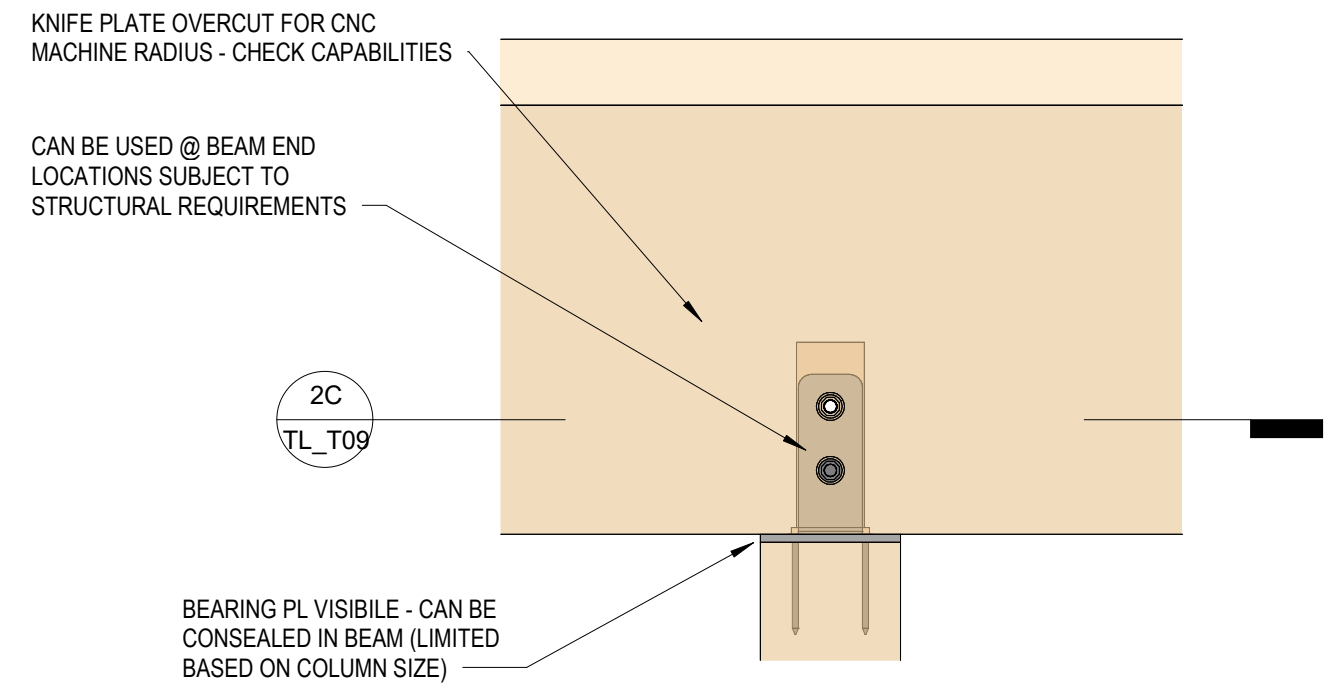
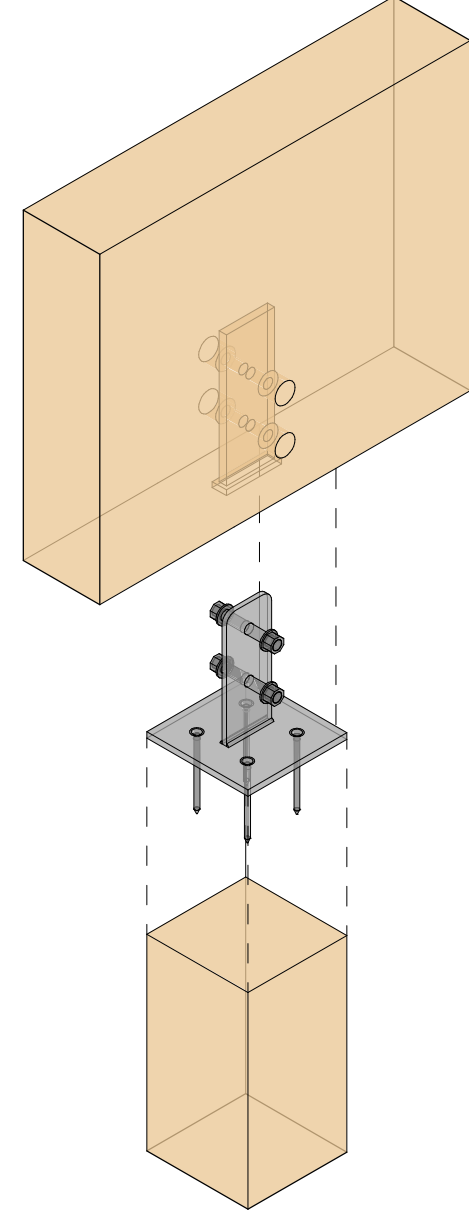
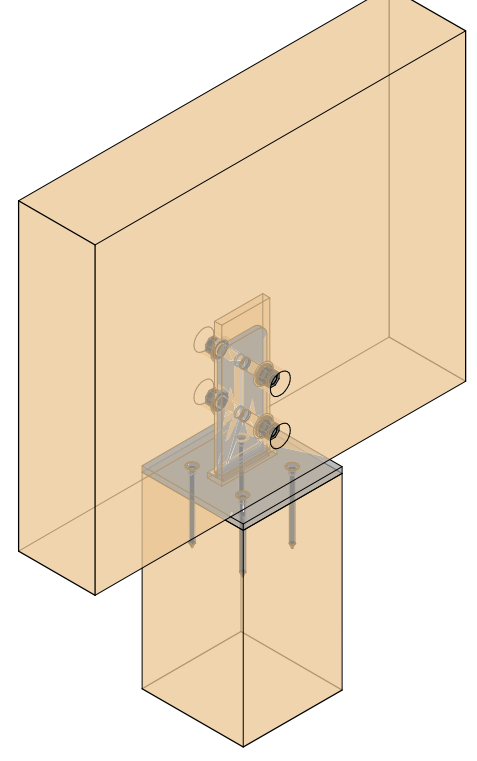
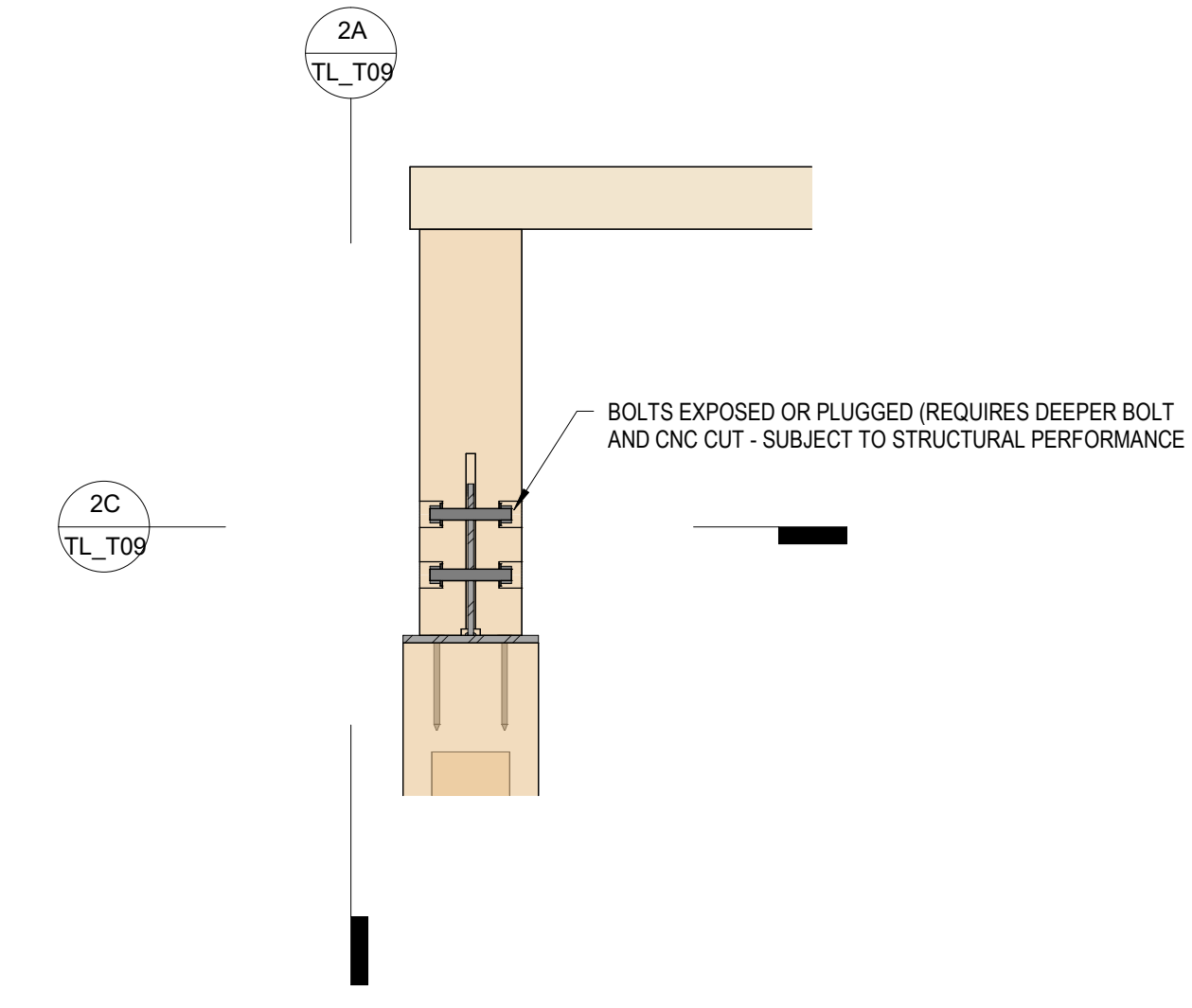


8/7/2024 7:52:32 AM

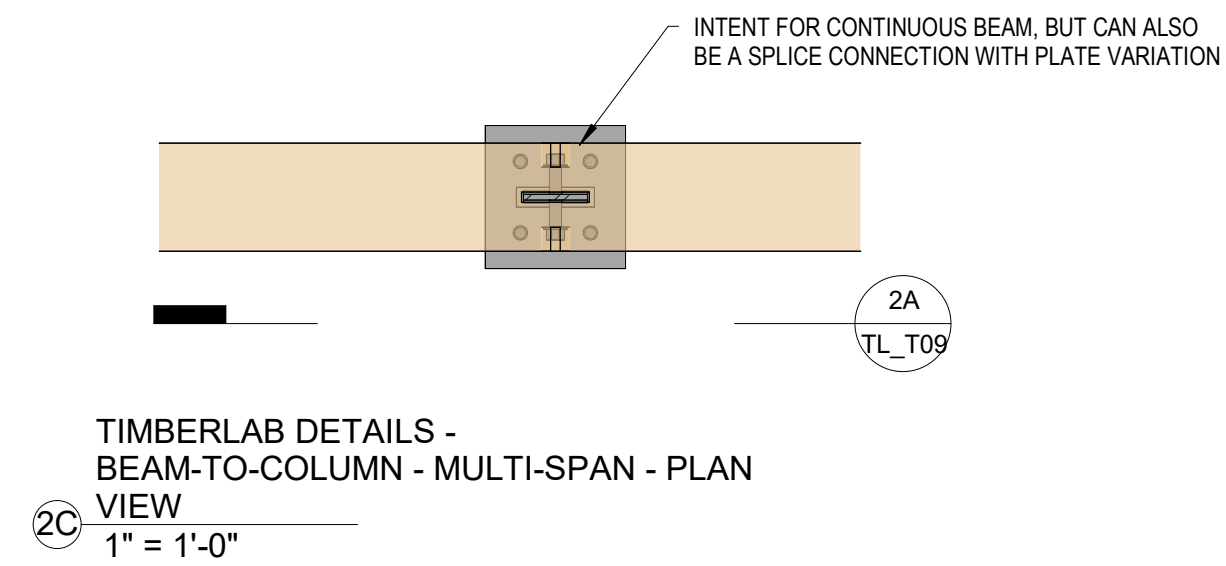
1 TIMBERLAB DETAILS - BEAM-TO-COLUMN - MULTI-SPAN



TIMBERLAB DETAILS - BEAM-TO-COLUMN - MULTI-SPAN - SECTION 1
 2A 1" = 1'-0"



TIMBERLAB DETAILS - BEAM-TO-COLUMN - MULTI-SPAN - SECTION 2
 2B 1" = 1'-0"



TIMBERLAB

1601 N Columbia Blvd
 Portland, OR 97217
 503.224.6888

PROJECT:

SET ISSUANCE:

DATE ISSUED: 07/17/24

No.	Description	Date
1	REFERENCE	07/17/24

SHEET SIZE: 30x42
 DRAWN BY:
 CHECKED BY:

SHEET:

TIMBERLAB DETAILS - BEAM-TO-COLUMN - MULTI-SPAN

TL_T09