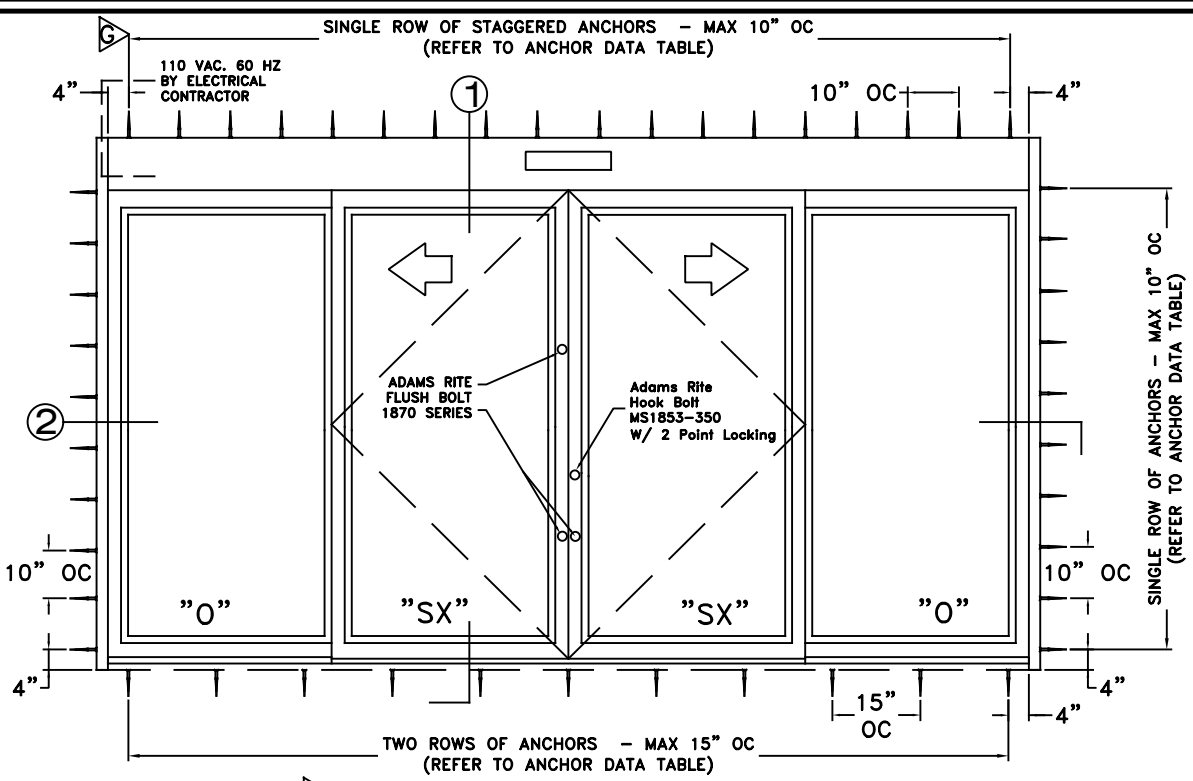
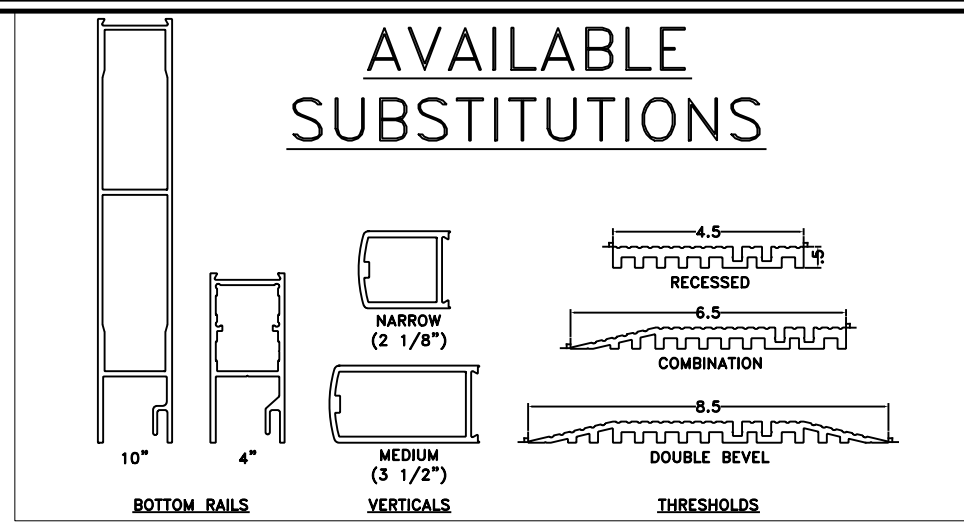


AVAILABLE SUBSTITUTIONS

REV	DESCRIPTION	BY	DATE
B	UPDATED PACKAGE WITH DATA	JESC	06/24/2004
C	ADDED SINGLE SLIDES	JESC	06/30/2005
D	RELEASED	JESC	10/17/2005
E	UPDATED ADDRESS, ADDED NEW T'HOLD, CHANGED DRAWING NUMBER FROM US800199	DSW	08/08/2011
F	NDA REF # CHANGED	DSW	02/20/2013
G	NEW NDA#, REVISED ANCHOR & GLASS SPECS.	DSW	05/02/2016
H	REPLACED NDA# WITH FL#	DSW	02/01/2019

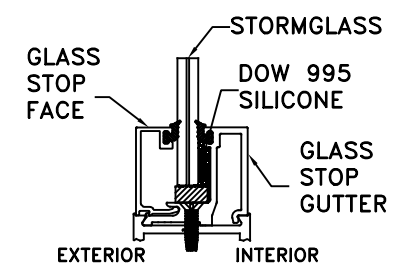


ELEVATION

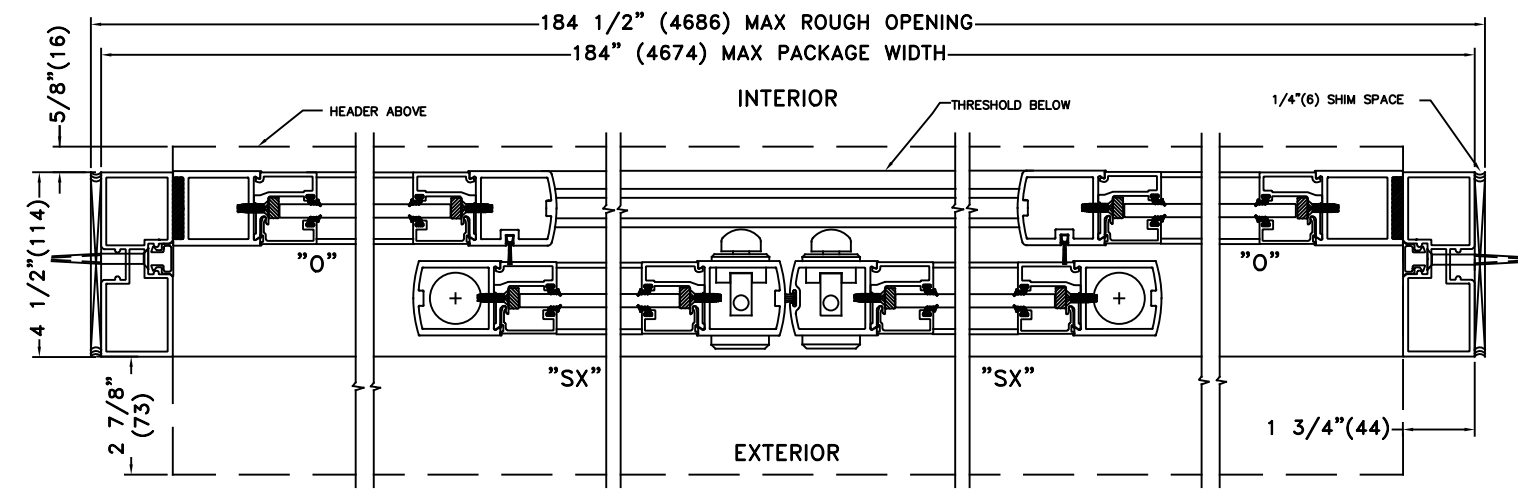
ANCHOR DATA				
SUBSTRATE	MINIMUM REQUIREMENTS	ALLOWABLE LOCATIONS	PENETRATION	EDGE DISTANCE
CONCRETE	3000 PSI	HEADER JAMBS SILL	1 1/2" MIN	2 1/2" MIN
WOOD	SG >= 0.55	HEADER JAMBS SILL	1 1/2" MIN	3/4" MIN
ALUMINUM	6063-T5 - 1/8" THICK	HEADER JAMBS	N/A	3/4" MIN
STEEL	A36 - 1/8" THICK Fu = 58 kst	HEADER JAMBS	N/A	3/4" MIN

NOTES
 1-SEE ELEVATION DETAILS FOR ANCHOR SPACING
 2-MINIMUM PENETRATION IS BEYOND WALL DRESSING
 3-TYPICAL 2 ROWS OF FASTENERS FOR THRESHOLD INSTALLATION
 4-BASE MATERIAL DESIGNED BY OTHERS TO WITHSTAND IMPOSED LOAD

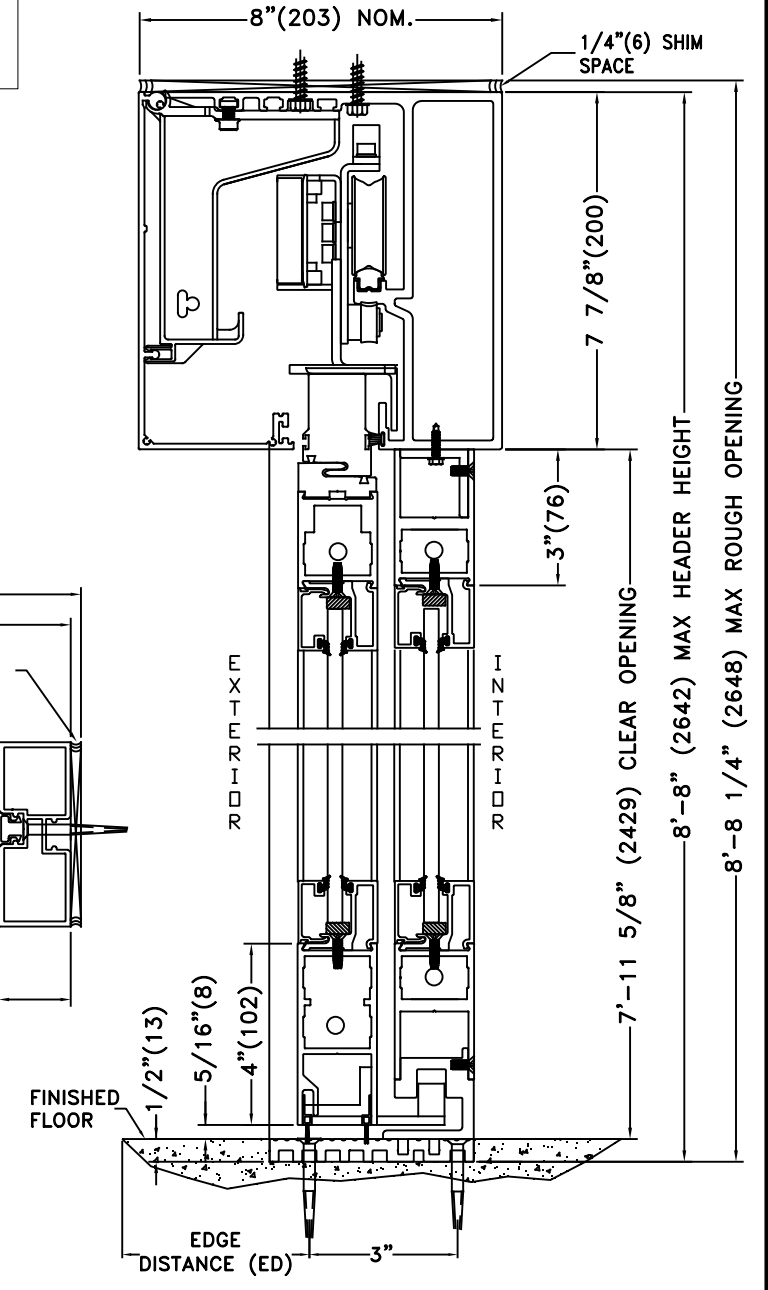
GLAZING DETAILS



GLASS SPECIFICATION
 0.325" OLDCASTLE IMPACT RATED GLASS
 -1/8" HEAT STRENGTHENED GLASS
 -0.075" SAFLEX CP COMPOSITE GLASS INTERLAYER W/PET CORE BY EASTMAN CHEMICAL CO. OR 0.075" STORMGLASS SAFLEX CP INTERLAYER W/PET CORE BY OLDCASTLE BUILDING ENVELOPE INC.
 -1/8" HEAT STRENGTHENED GLASS



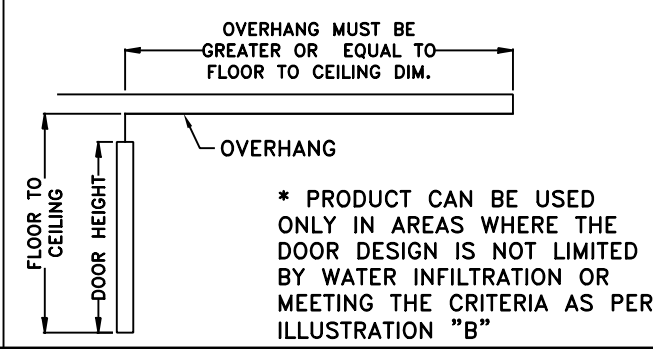
HORIZONTAL SECTION



VERTICAL SECTION

DOOR ALLOWABLE DESIGNED PRESSURES
 +57*, -57 PSF
LARGE MISSILE IMPACT

ILLUSTRATION "B"



* PRODUCT CAN BE USED ONLY IN AREAS WHERE THE DOOR DESIGN IS NOT LIMITED BY WATER INFILTRATION OR MEETING THE CRITERIA AS PER ILLUSTRATION "B"

PACKAGE HEIGHT INFORMATION		
MAX PACKAGE HEIGHT	MASONRY OPENING	NOM. CLEAR DOOR OPENING
8'-8" (104")	8'-8 1/4" (104 1/4")	95 5/8"

PACKAGE WIDTH INFORMATION				
MAX PACKAGE WIDTH	MASONRY OPENING	NOM. CLEAR DOOR OPENING	SLIDING DOOR PANEL NOM. WIDTH	EMERGENCY BREAKOUT NOM. WIDTH
15'-4" (184")	15'-4 1/2" (184 1/2")	77 3/4"	46 7/8"	86 3/4"

TORMAX USA Inc.
 12859 WETMORE RD, SAN ANTONIO, TX. 78247

DO NOT SCALE PRINT
 TOLERANCES UNLESS OTHERWISE SPECIFIED
 .XX ± .010
 .XXX ± .005
 ± .5"

TORMAX AUTOMATIC

MATERIAL: N/A
 FINISH: N/A

DATE: 06/24/2004

REF. FL# 17648.1

SIZE: 9200 IMPACT, BI-PART
 DRAWN BY: A Jesus C.
 Dwg. No. - Revision: US801168-H

SCALE: None

SHEET Page 1 of 1