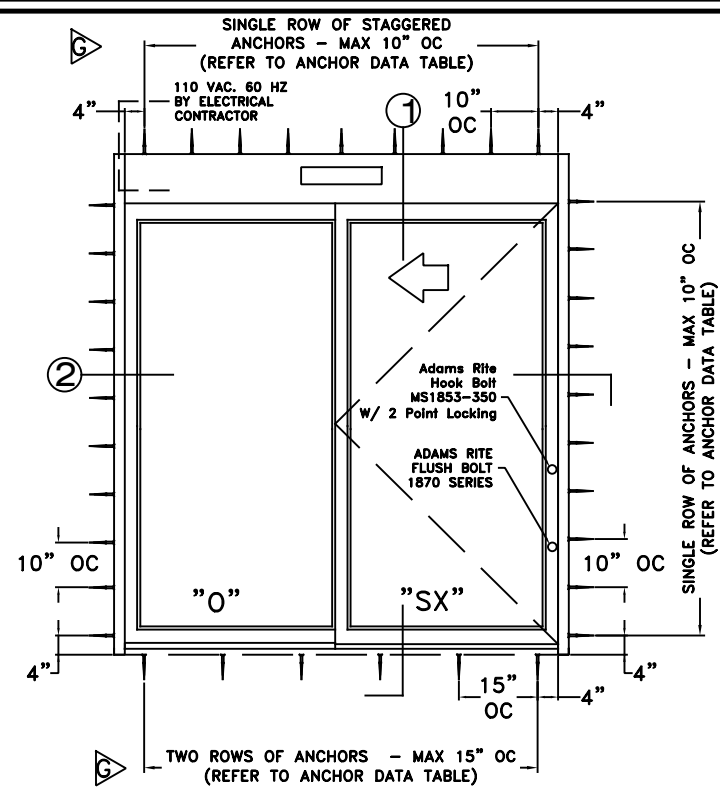
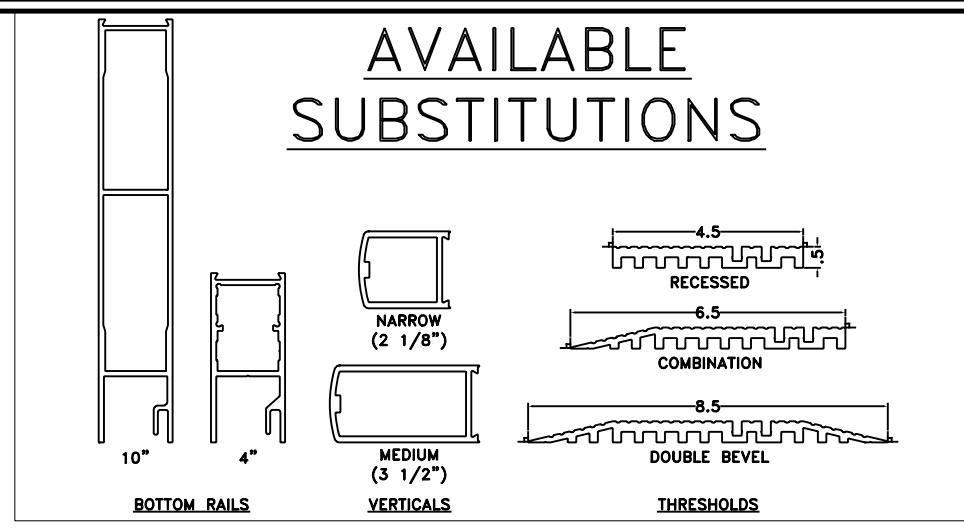
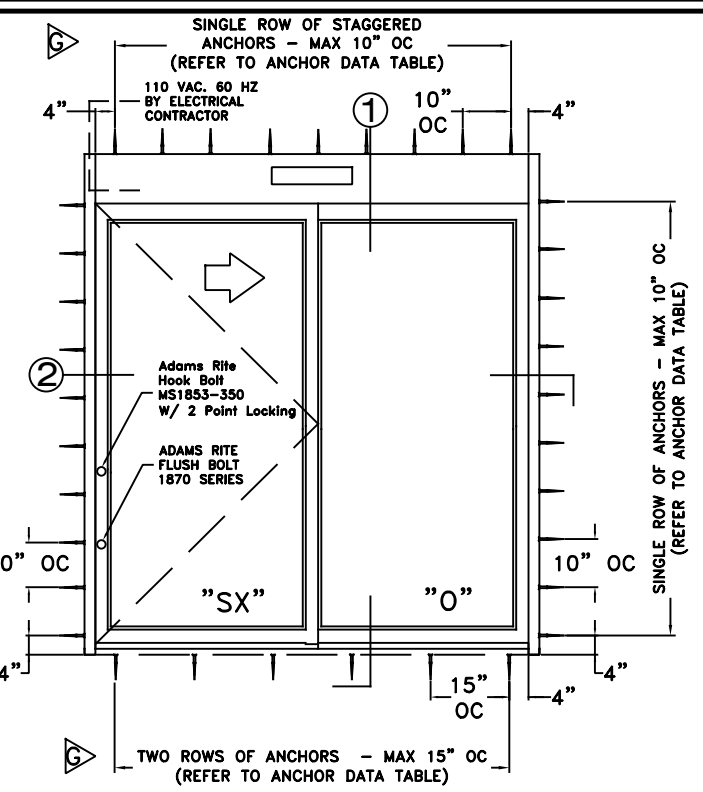


REV	DESCRIPTION	BY	DATE
B	UPDATED PACKAGE WITH DATA	JESC	06/24/2004
C	ADDED SINGLE SLIDES	JESC	06/30/2005
D	RELEASED	JESC	10/17/2005
E	UPDATED ADDRESS, ADDED NEW T'HOLD, CHANGED DRAWING NUMBER FROM US800200	DSW	08/08/2011
F	NDA REF # CHANGED	DSW	02/20/2013
G	NEW NDA#, REVISED ANCHOR & GLASS SPECS.	DSW	05/02/2016
H	REPLACED NDA# WITH FL#	DSW	02/01/2019

AVAILABLE SUBSTITUTIONS



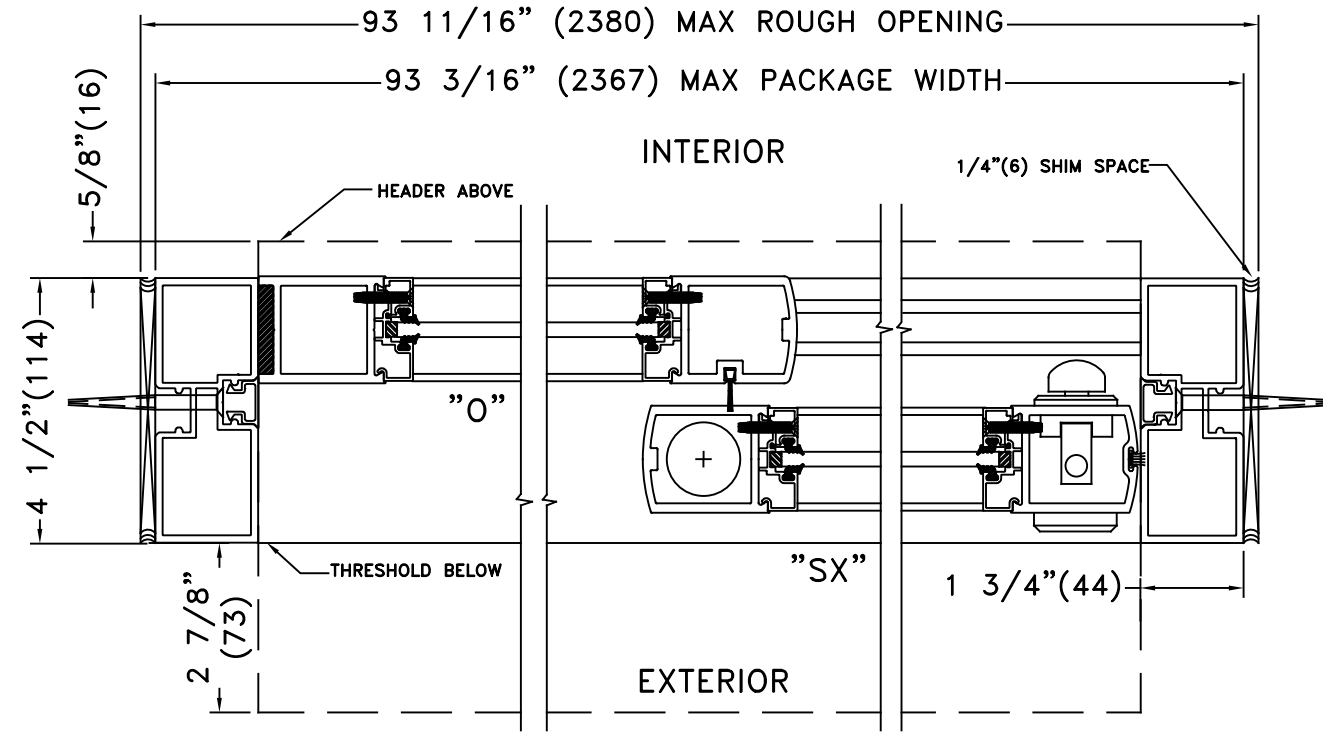
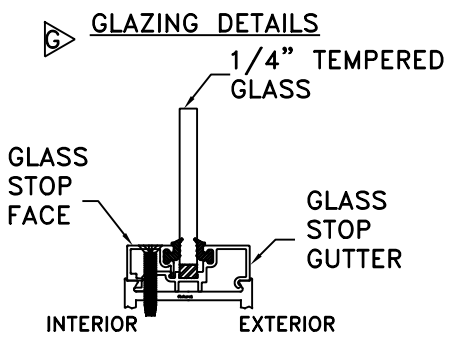
ELEVATION LH-SS



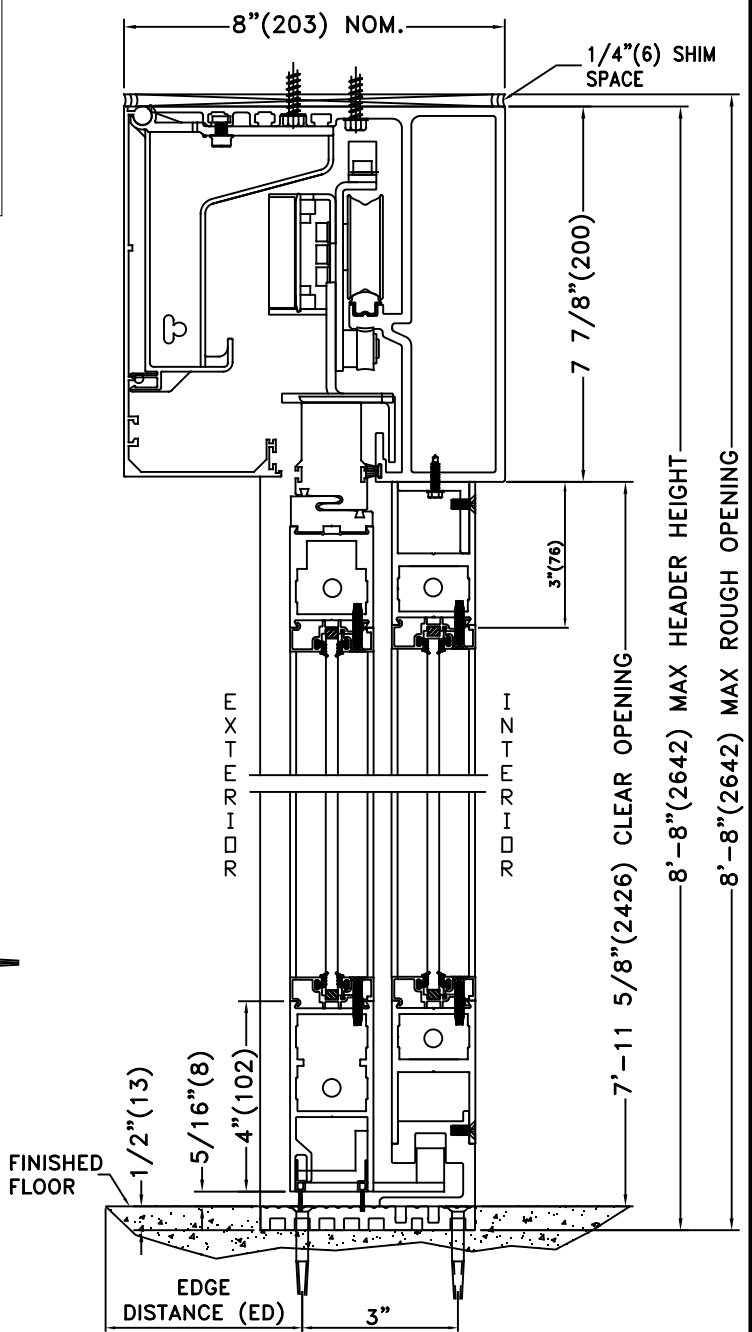
ELEVATION RH-SS

ANCHOR DATA				
SUBSTRATE	MINIMUM REQUIREMENTS	ALLOWABLE LOCATIONS	PENETRATION	EDGE DISTANCE
CONCRETE	3000 PSI	HEADER JAMBS SILL	1 1/2" MIN	2 1/2" MIN
WOOD	SG >= 0.55	HEADER JAMBS SILL	1 1/2" MIN	3/4" MIN
ALUMINUM	6063-T5 - 1/8" THICK	HEADER JAMBS	N/A	3/4" MIN
STEEL	A36 - 1/8" THICK Fu = 58 kst	HEADER JAMBS	N/A	3/4" MIN

NOTES
 1-SEE ELEVATION DETAILS FOR ANCHOR SPACING
 2-MINIMUM PENETRATION IS BEYOND WALL DRESSING
 3-TYPICAL 2 ROWS OF FASTENERS FOR THRESHOLD INSTALLATION
 4-BASE MATERIAL DESIGNED BY OTHERS TO WITHSTAND IMPOSED LOAD



HORIZONTAL SECTION

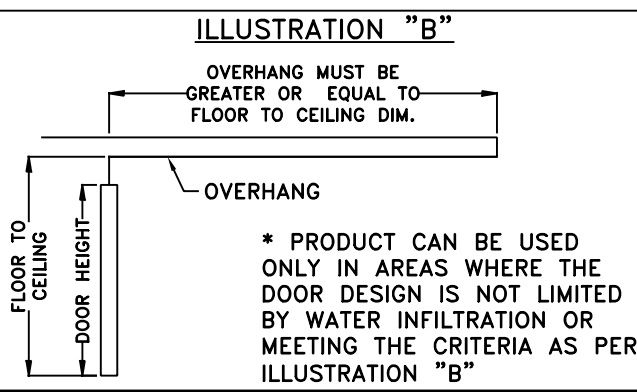


VERTICAL SECTION

DOOR ALLOWABLE DESIGNED PRESSURES

NOMINAL SIZE	ALLOWABLE PRESSURE
93 X 104	+57*, -57 PSF
93 X 92	+64*, -64 PSF

NON-IMPACT



PACKAGE HEIGHT INFORMATION		
MAX PACKAGE HEIGHT	MASONRY OPENING	NOM. CLEAR DOOR OPENING
8'-8" (104")	8'-8 1/4" (104 1/4")	95 5/8"

PACKAGE WIDTH INFORMATION				
MAX PACKAGE WIDTH	MASONRY OPENING	NOM. CLEAR DOOR OPENING	SLIDING DOOR PANEL NOM. WIDTH	EMERGENCY BREAKOUT NOM. WIDTH
7'-9 3/16" (93 3/16")	7'-9 11/16" (93 11/16")	40"	46 1/8"	43 5/8"

TORMAX USA Inc.
12859 WETMORE RD, SAN ANTONIO, TX. 78247

DO NOT SCALE PRINT.
TOLERANCES UNLESS OTHERWISE SPECIFIED:
.XX ± .010
.XXX ± .005
± .5"

TORMAX AUTOMATIC

TITLE: 9200 NON-IMPACT, SINGLES
REF. FL# 17648.2

MATERIAL: N/A
FINISH: N/A

SIZE: A
DRAWN BY: Jesus C.
Dwg. No. - Revision: US801171-H

SCALE: None
DATE: 06/24/2004
SHEET: Page 1 of 1