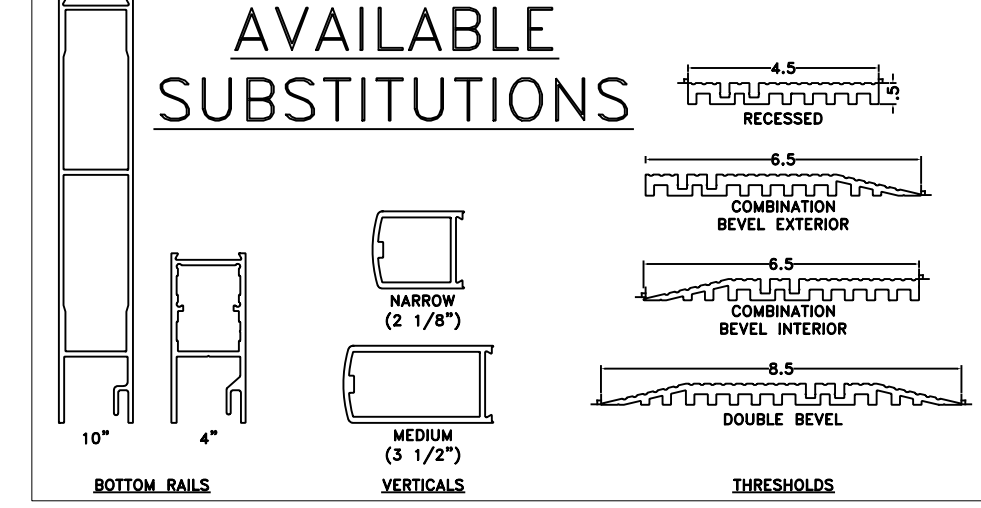
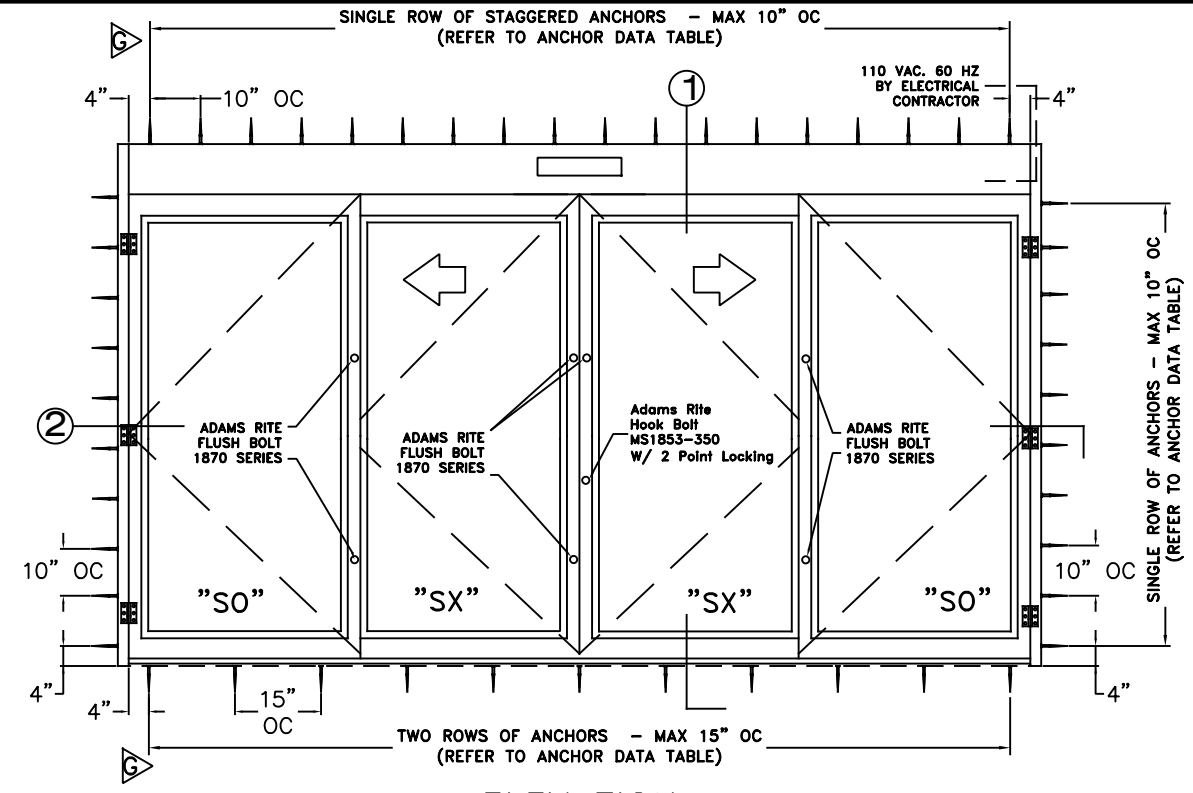


# AVAILABLE SUBSTITUTIONS



| REV | DESCRIPTION   | BY   | DATE       |
|-----|---|------|------------|
| B   | UPDATED PACKAGE WITH DATA   | JESC | 06/24/2004 |
| C   | ADDED STEEL TUBE TO STILES  | JESC | 04/22/2005 |
| D   | RELEASED  | JESC | 10/17/2005 |
| E   | UPDATED ADDRESS, ADDED NEW T'HOLD, CHANGED DRAWING NUMBER FROM US800201 | DSW  | 08/08/2011 |
| F   | NDA REF # CHANGED   | DSW  | 02/20/2013 |
| G   | NEW NDA#, REVISED ANCHOR & GLASS SPECS.                                 | DSW  | 05/02/2016 |
| H   | REPLACED NDA# WITH FL#  | DSW  | 02/01/2019 |

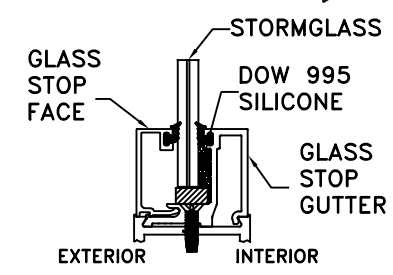


**ELEVATION**

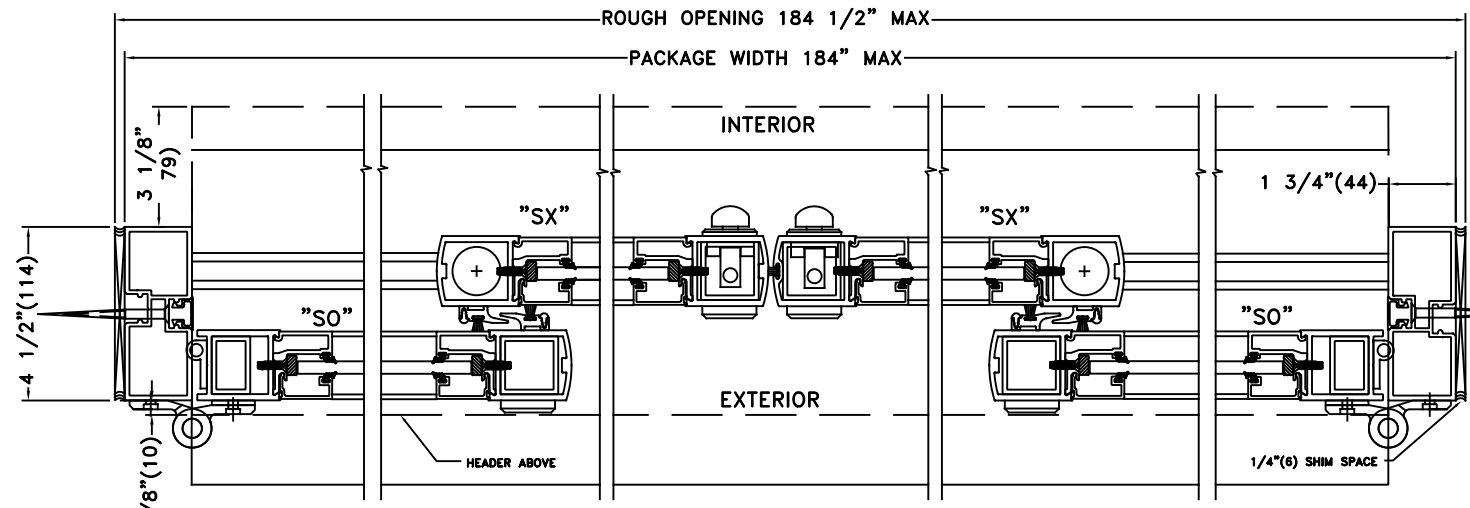
| ANCHOR DATA |                                 |                     |             |               |
|-------------|---------------------------------|---------------------|-------------|---------------|
| SUBSTRATE   | MINIMUM REQUIREMENTS            | ALLOWABLE LOCATIONS | PENETRATION | EDGE DISTANCE |
| CONCRETE    | 3000 PSI                        | HEADER JAMBS SILL   | 1 1/2" MIN  | 2 1/2" MIN    |
| WOOD        | SG >= 0.55                      | HEADER JAMBS SILL   | 1 1/2" MIN  | 3/4" MIN      |
| ALUMINUM    | 6063-T5 - 1/8" THICK            | HEADER JAMBS        | N/A         | 3/4" MIN      |
| STEEL       | A36 - 1/8" THICK<br>Fu = 58 kst | HEADER JAMBS        | N/A         | 3/4" MIN      |

**NOTES**  
 1-SEE ELEVATION DETAILS FOR ANCHOR SPACING  
 2-MINIMUM PENETRATION IS BEYOND WALL DRESSING  
 3-TYPICAL 2 ROWS OF FASTENERS FOR THRESHOLD INSTALLATION  
 4-BASE MATERIAL DESIGNED BY OTHERS TO WITHSTAND IMPOSED LOAD

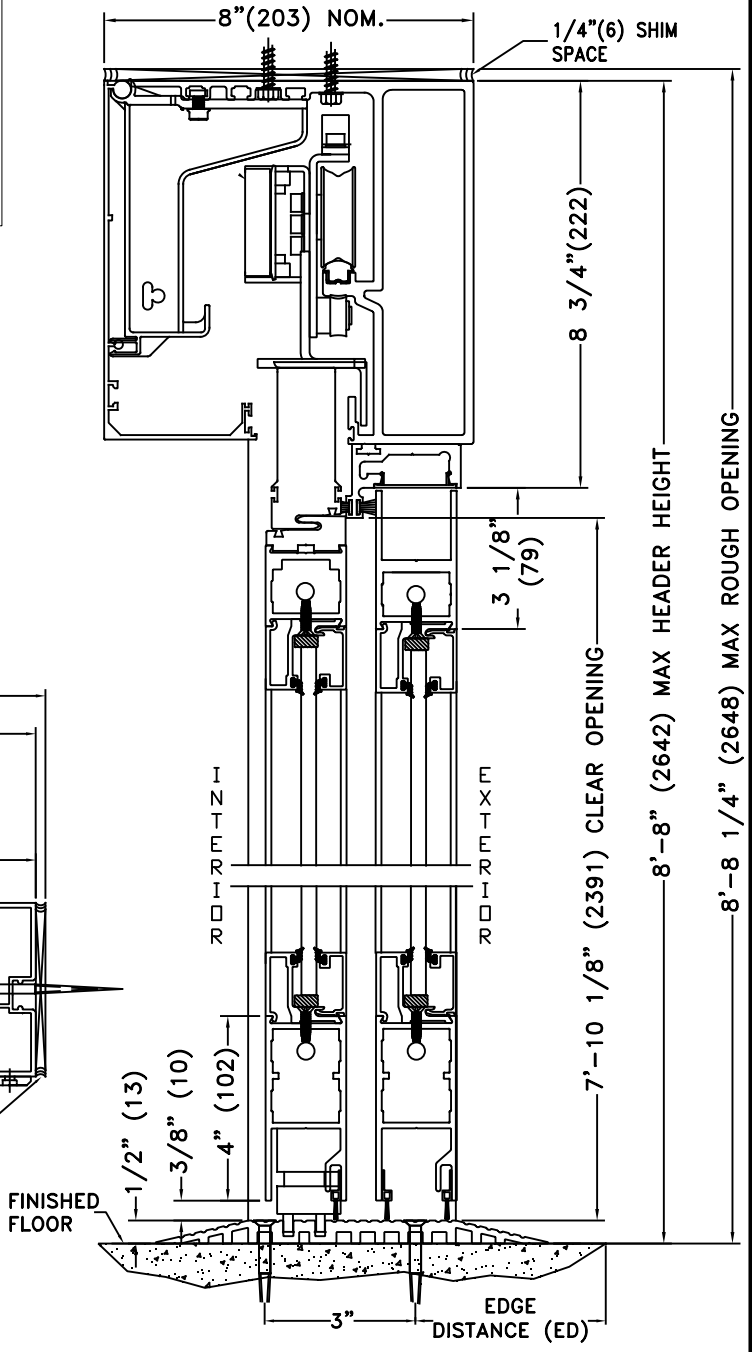
**GLAZING DETAILS**



**GLASS SPECIFICATION**  
 0.325" OLDCASTLE IMPACT RATED GLASS  
 -1/8" HEAT STRENGTHENED GLASS  
 -0.075" SAFLEX CP COMPOSITE GLASS  
 INTERLAYER W/PET CORE BY EASTMAN CHEMICAL CO. OR 0.075" STORMGLASS  
 SAFLEX CP INTERLAYER W/PET CORE BY OLDCASTLE BUILDING ENVELOPE INC.  
 -1/8" HEAT STRENGTHENED GLASS



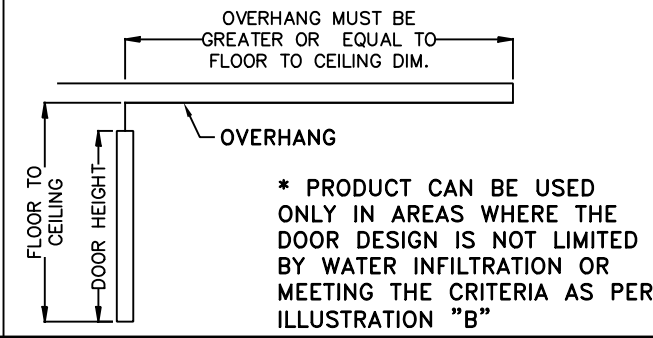
**HORIZONTAL SECTION**



**VERTICAL SECTION**

**DOOR ALLOWABLE DESIGNED PRESSURES**  
 +55\*, -55 PSF  
**LARGE MISSILE IMPACT**

**ILLUSTRATION "B"**



\* PRODUCT CAN BE USED ONLY IN AREAS WHERE THE DOOR DESIGN IS NOT LIMITED BY WATER INFILTRATION OR MEETING THE CRITERIA AS PER ILLUSTRATION "B"

| PACKAGE HEIGHT INFORMATION |                      |                         |
|----------------------------|----------------------|-------------------------|
| MAX PACKAGE HEIGHT         | MASONRY OPENING      | NOM. CLEAR DOOR OPENING |
| 8'-8" (104")               | 8'-8 1/4" (104 1/4") | 94 1/8"                 |

| PACKAGE WIDTH INFORMATION |                       |                         |                               |                               |
|---------------------------|-----------------------|-------------------------|-------------------------------|-------------------------------|
| MAX PACKAGE WIDTH         | MASONRY OPENING       | NOM. CLEAR DOOR OPENING | SLIDING DOOR PANEL NOM. WIDTH | EMERGENCY BREAKOUT NOM. WIDTH |
| 15'-4" (184")             | 15'-4 1/2" (184 1/2") | 77 3/4"                 | 46 7/8"                       | 171"                          |

**TORMAX USA Inc.**  
 12859 WETMORE RD, SAN ANTONIO, TX. 78247

DO NOT SCALE PRINT  
 TOLERANCES UNLESS OTHERWISE SPECIFIED  
 .XX ± .010  
 .XXX ± .005  
 ± .5"

**TORMAX AUTOMATIC**

**REF. FL# 17648.3**

MATERIAL: N/A  
 FINISH: N/A

SIZE: A  
 DRAWN BY: Jesus C.  
 DATE: 06/24/2004

Rev. No. - Revision  
**US801172-H**

SCALE: None  
 SHEET: Page 1 of 1