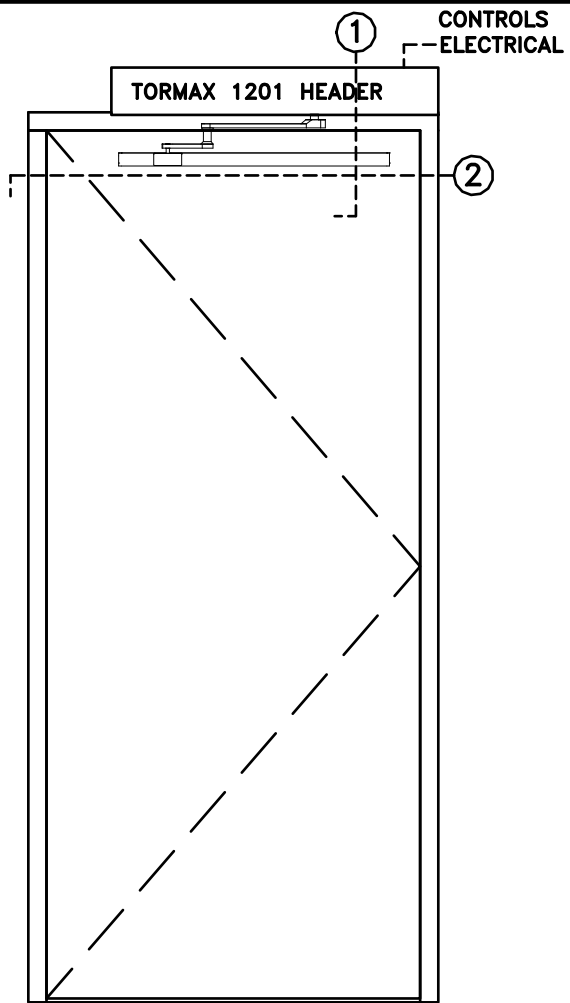
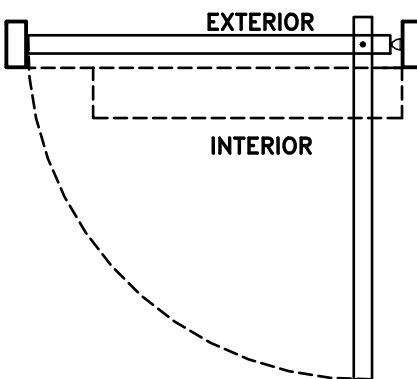


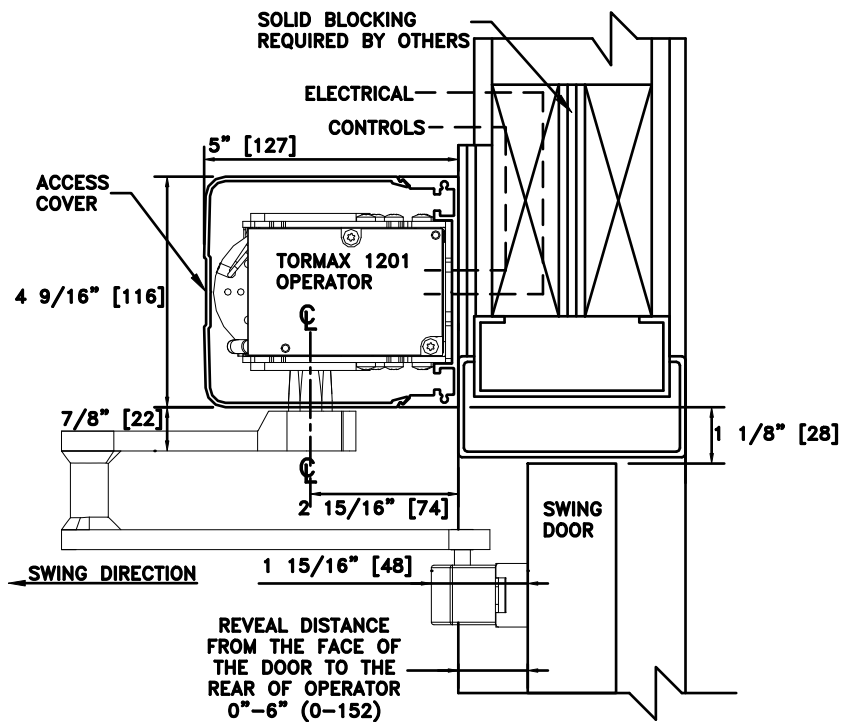
JOB NAME: \_\_\_\_\_ DATE: \_\_\_\_\_  
 DOOR LOCATION: \_\_\_\_\_ DOOR NO: \_\_\_\_\_ SHEET \_\_\_\_\_ OF \_\_\_\_\_



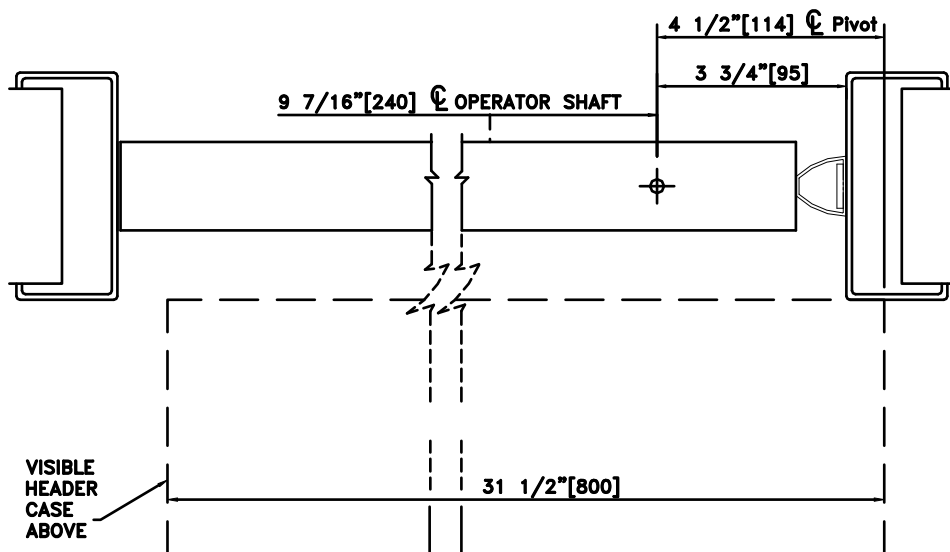
ELEVATION



PLAN



① VERTICAL SECTION



② HORIZONTAL SECTION

- NOTES:  
 1. DETAILS NOT TO SCALE.  
 2. ELECTRICAL REQUIREMENTS:  
 120VAC, 5AMPS MIN. TO OPERATOR BY ELECTRICAL CONTRACTOR.  
 3. DOORS, FRAMES AND HARDWARE BY OTHERS.  
 4. 32" CLEAR DOOR OPENING REQUIRED TO MEET A.D.A. REQUIREMENTS.  
 5. DOORS MUST BE NON-LATCHED FOR PROPER OPERATION.  
 6. OPERATOR HEADER IS AVAILABLE FOR FULL WIDTH DOOR APPLICATIONS.  
 7. OPERATOR CAN BE CONFIGURED TO MEET ANSI STANDARDS A156.10 & ANSI A156.  
 8. DOOR CLOSED STOP REQUIRED BY OTHERS FOR INSWING DOOR.