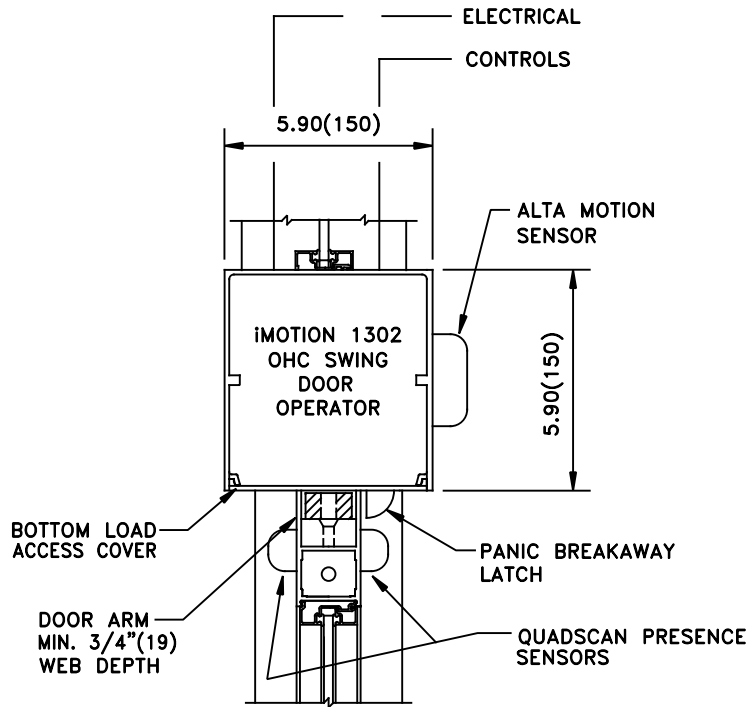


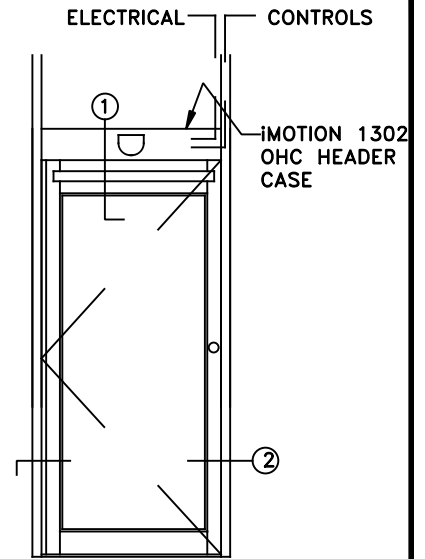
**iMOTION 1302 OHC SWING DOOR OPERATOR**  
**SINGLE UNIT LEFT HAND INSWING**

JOB NAME: \_\_\_\_\_ DATE: \_\_\_\_\_

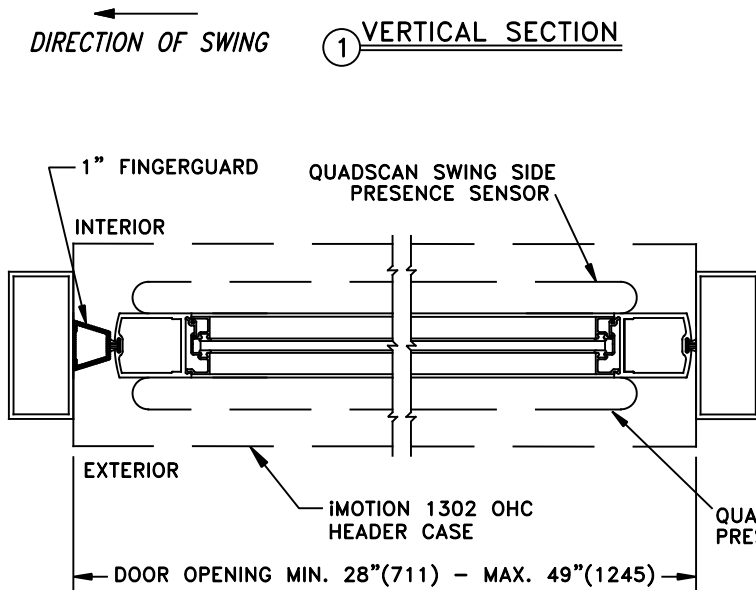
DOOR LOCATION: \_\_\_\_\_ DOOR NO: \_\_\_\_\_ SHEET \_\_\_ OF \_\_\_



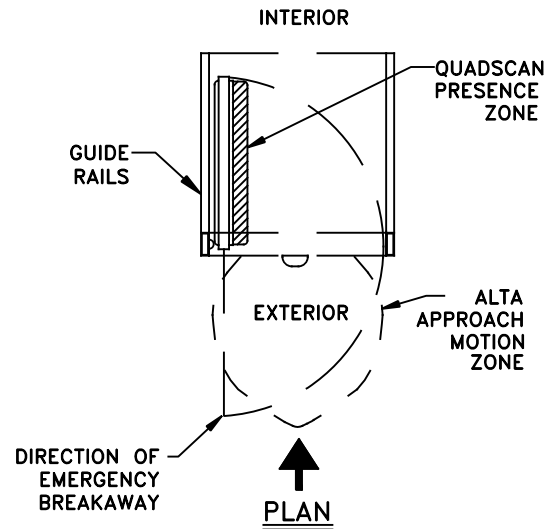
① VERTICAL SECTION



ELEVATION



② HORIZONTAL SECTION



PLAN

- NOTES:
1. DETAILS NOT TO SCALE.
  2. ELECTRICAL REQUIREMENTS:  
120VAC, 5AMPS MIN. TO OPERATOR BY ELECTRICAL CONTRACTOR.
  3. DOORS, FRAMES AND HARDWARE BY OTHERS.
  4. 32" CLEAR DOOR OPENING REQUIRED TO MEET A.D.A. REQUIREMENTS.
  5. DOORS MUST BE NON-LATCHED FOR PROPER OPERATION.