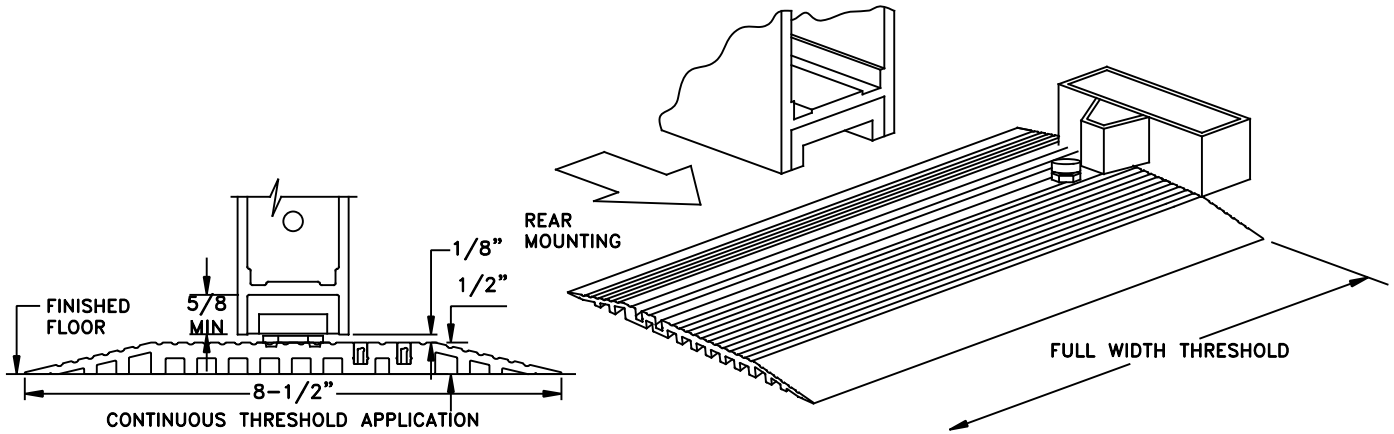


JOB NAME: _____ DATE: _____

DOOR LOCATION: _____ DOOR NO: _____ SHEET ____ OF ____



BOTTOM PIVOT - TAPERED THRESHOLD PLATE

