

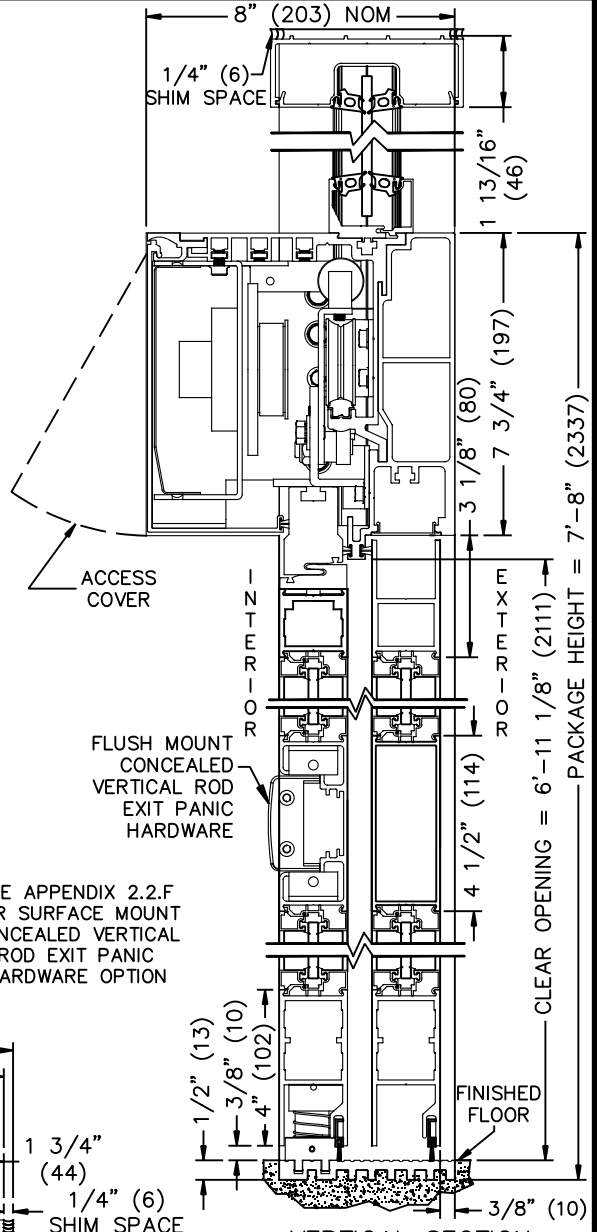
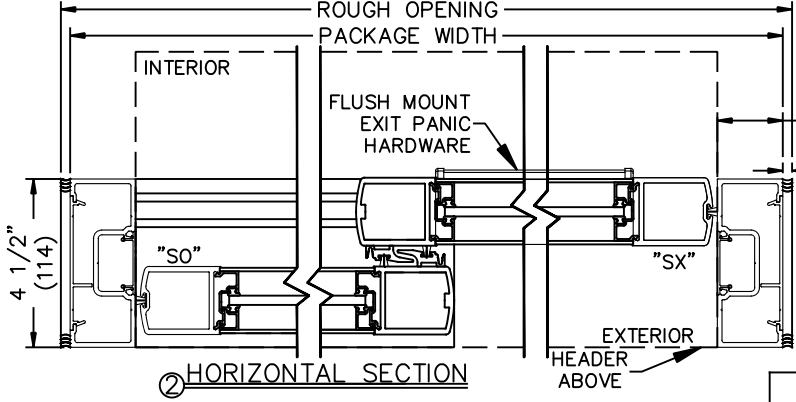
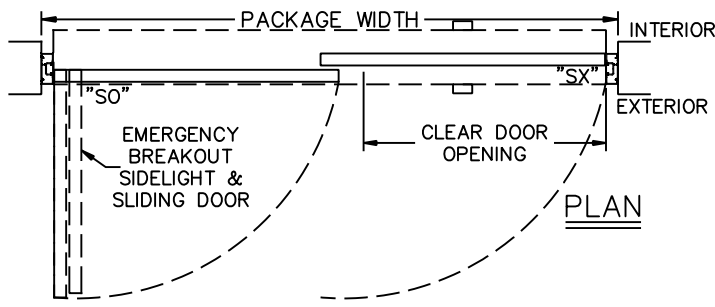
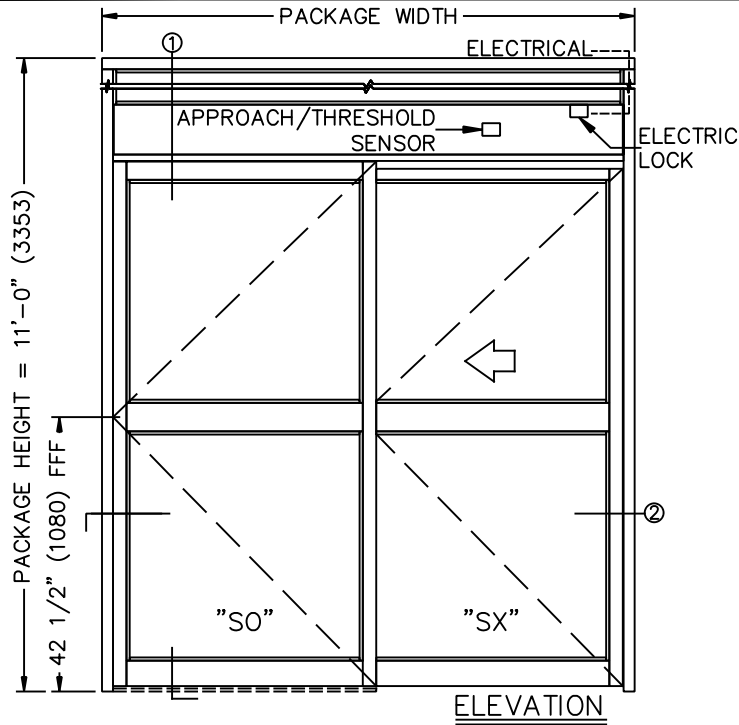


TX9300AC AUTOMATIC SLIDING DOOR SYSTEM

SINGLE L.H. INSIDE SLIDE W/ TRANSOM ELECTRIC LOCK AND FLUSH MOUNT EXIT PANIC HARDWARE

JOB NAME: _____ DATE: _____

DOOR LOCATION: _____ DOOR NO: _____ SHEET ____ OF ____



SEE APPENDIX 2.2.F FOR SURFACE MOUNT CONCEALED VERTICAL ROD EXIT PANIC HARDWARE OPTION

SEE APPENDIX FOR DETAILS OF TX9300 HEAVY DUTY DRIVE SYSTEM AND THRESHOLD OPTIONS.

SAMPLE PACKAGE WIDTH INFORMATION

PKG. WIDTH	NOMINAL CLEAR DOOR OPENING	SLIDING DOOR / PANEL NOM. WIDTH	EMERGENCY BREAKOUT NOM. WIDTH
7'-0" (2134)	36" (914)	41 7/16" (1052)	75" (1905)
8'-0" (2438)	42" (1067)	47 7/16" (1205)	87" (2210)
9'-0" (2743)	48" (1219)	53 7/16" (1357)	99" (2515)

- NOTES:**
- ELEVATION & PLAN DETAILS TO SCALE.
 - ELECTRICAL REQUIREMENTS:
120VAC, 5AMPS MIN. TO OPERATOR BY ELECTRICAL CONTRACTOR.
 - DOOR PACKAGES ARE INDIVIDUALLY ENGINEERED TO FIT YOUR JOB REQUIREMENTS.