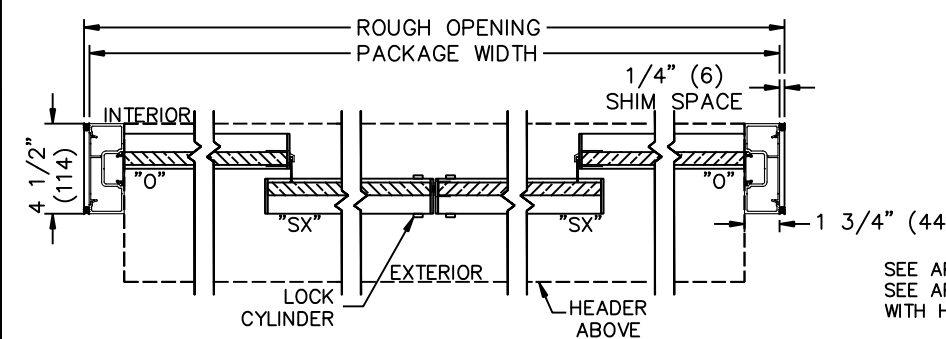
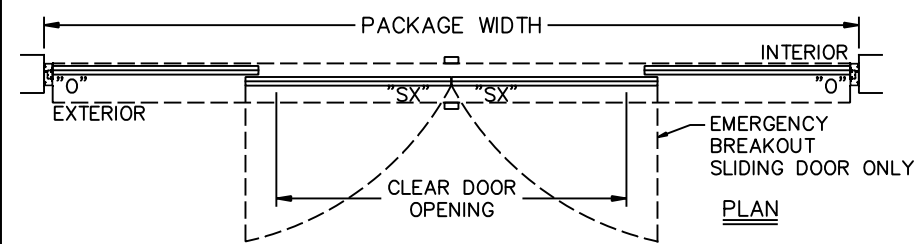
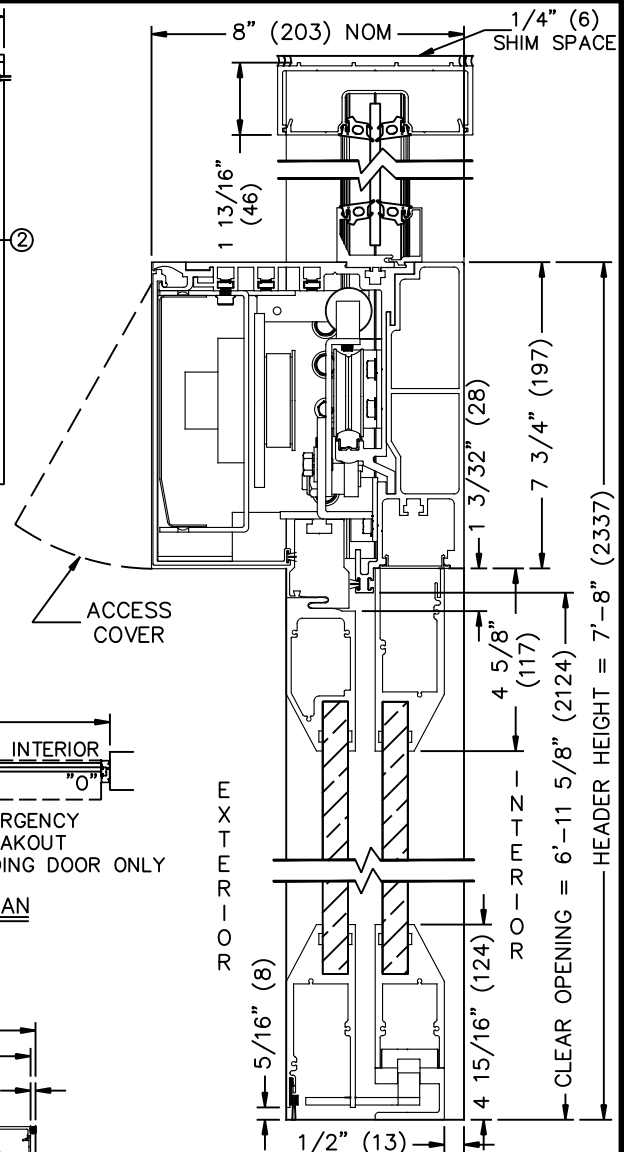
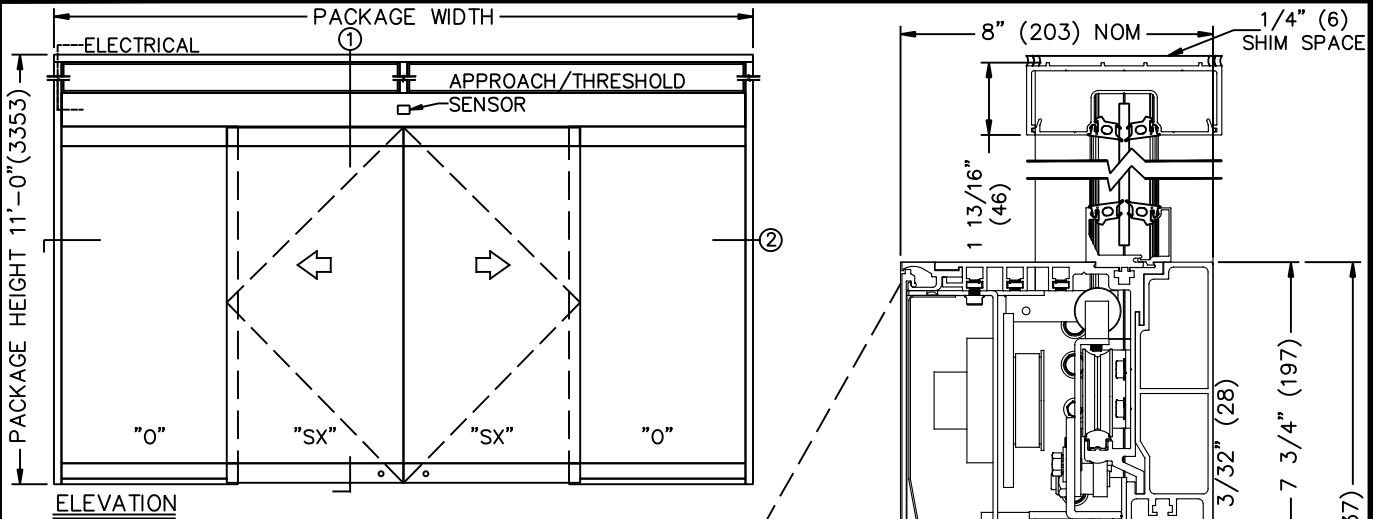


JOB NAME: _____ DATE: _____
 DOOR LOCATION: _____ DOOR NO: _____ SHEET ____ OF ____



SEE APPENDIX 2.1.A FOR THRESHOLD OPTIONS.
 SEE APPENDIX 2.4.A FOR DETAILS OF TX9500AG
 WITH HEAVY DUTY DRIVE SYSTEM.

- NOTES:**
- ELEVATION & PLAN DETAILS TO SCALE.
 - ELECTRICAL REQUIREMENTS:
 120VAC, 5AMPS MIN. TO OPERATOR BY ELECTRICAL CONTRACTOR.
 - DOOR PACKAGES ARE INDIVIDUALLY ENGINEERED TO FIT YOUR
 JOB REQUIREMENTS.

SAMPLE PACKAGE WIDTH INFORMATION

PKG. WIDTH	NOMINAL CLEAR DOOR OPENING	SLIDING DOOR / PANEL NOM. WIDTH	EMERGENCY BREAKOUT NOM. WIDTH
10'-0" (3048)	48" (1219)	30 3/8" (772)	58" (1422)
12'-0" (3658)	60" (1524)	36 3/8" (924)	70" (1778)
14'-0" (4267)	72" (1829)	42 3/8" (1076)	82" (2083)