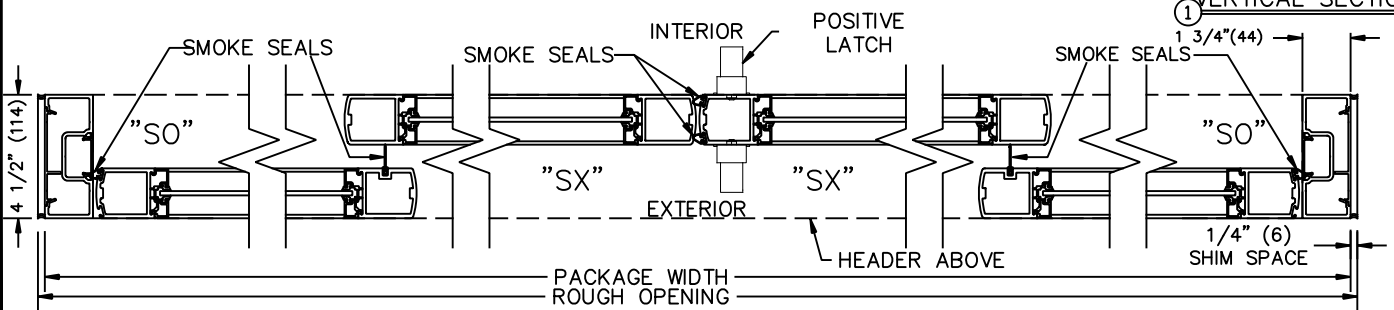
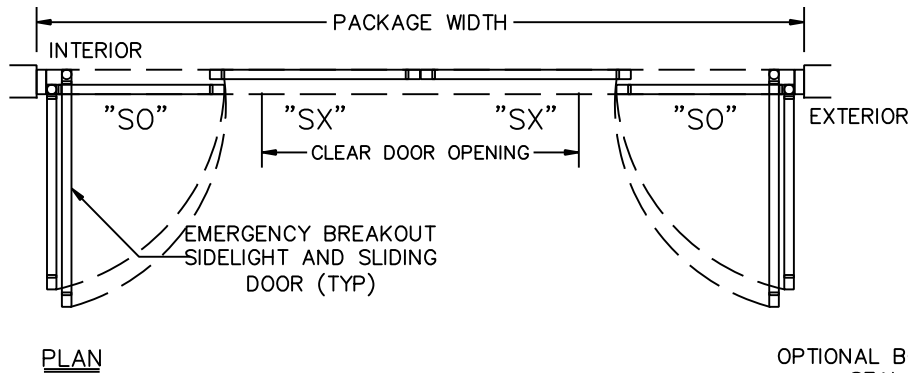
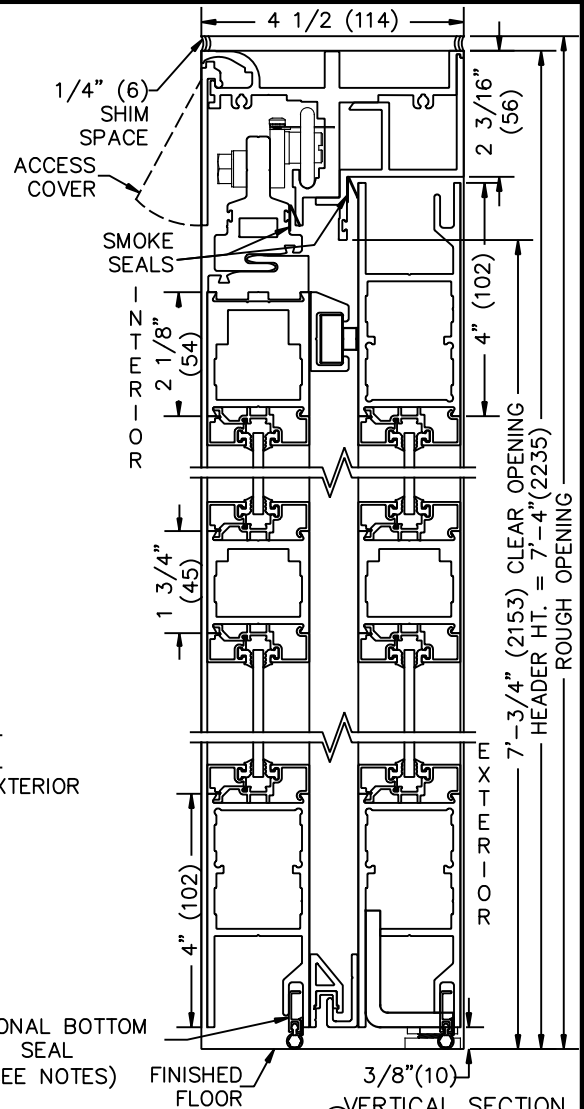
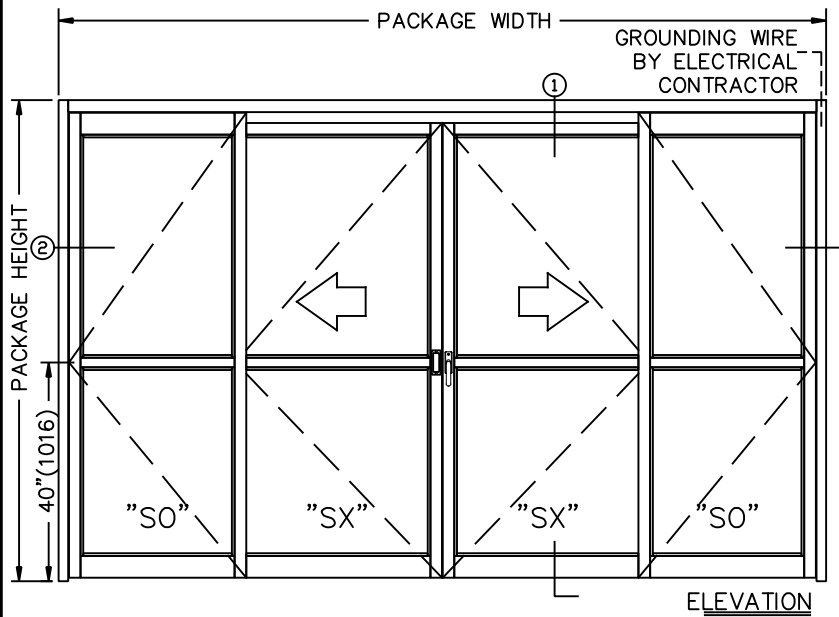


JOB NAME: _____ DATE: _____

DOOR LOCATION: _____ DOOR NO: _____ SHEET _____ OF _____



SAMPLE PACKAGE WIDTH INFORMATION

PKG. WIDTH	NOMINAL CLEAR DOOR OPENING	SX PANEL NOM. WIDTH	SO PANEL NOM. WIDTH	EMERGENCY BREAKOUT NOM. WIDTH
8'-0" (2438)	36" (914)	27 3/8" (695)	21 3/8" (543)	83" (2108)
10'-0" (3048)	48" (1219)	33 3/8" (848)	27 3/8" (695)	107" (2718)
12'-0" (3658)	60" (1524)	39 3/8" (1000)	33 3/8" (848)	131" (3327)

- NOTES:
1. DETAILS NOT TO SCALE.
 2. DOOR PACKAGES ARE INDIVIDUALLY ENGINEERED TO FIT YOUR JOB REQUIREMENTS.
 3. UNIT MAXIMUM HEIGHT 96" (2438) x MAXIMUM WIDTH 144" (3658)
 4. OPTIONAL BOTTOM SEAL - REQUIRED WHERE POSITIVE PRESSURE IS USED TO CONTROL THE MOVEMENT OF SMOKE