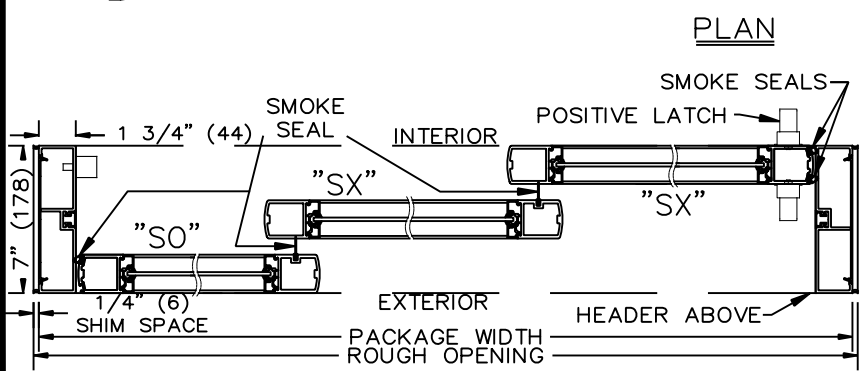
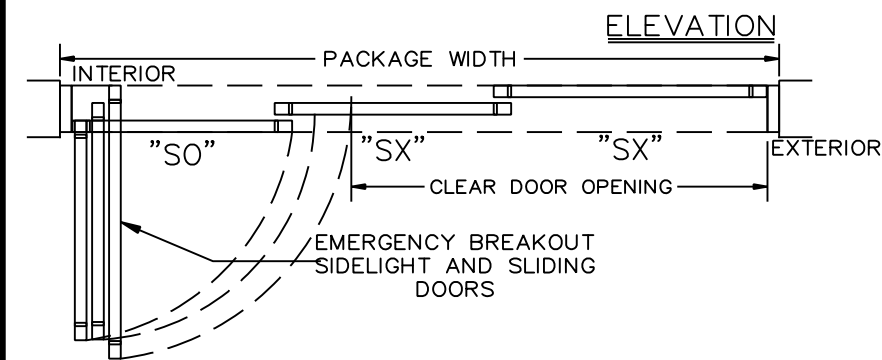
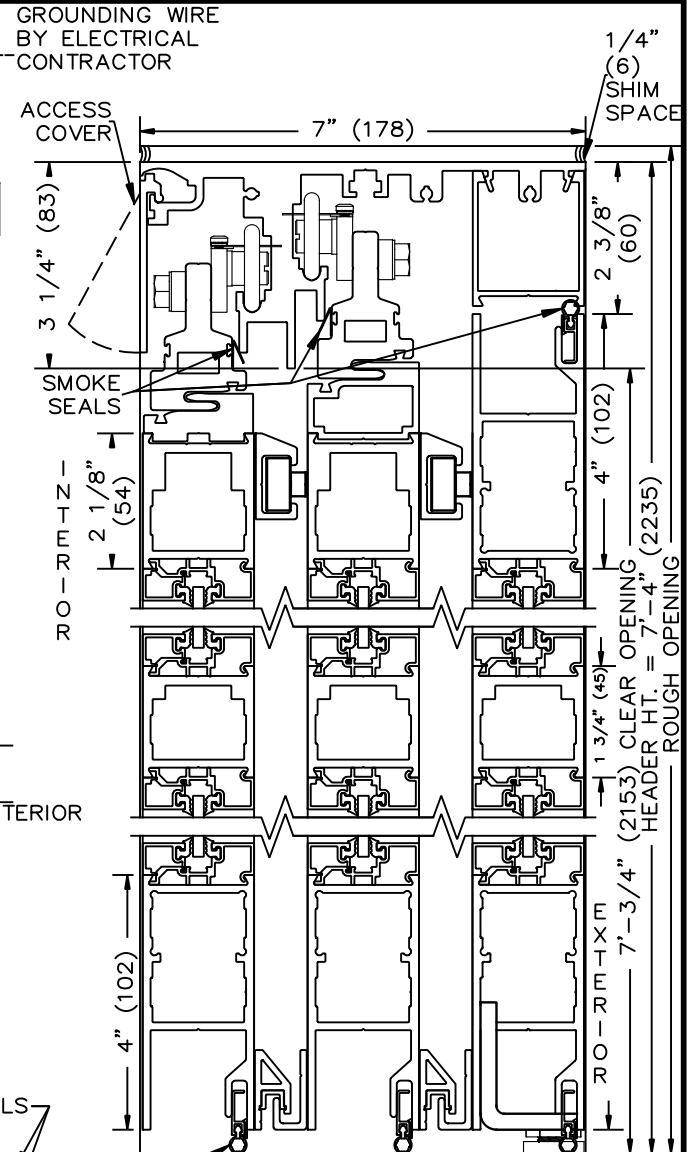
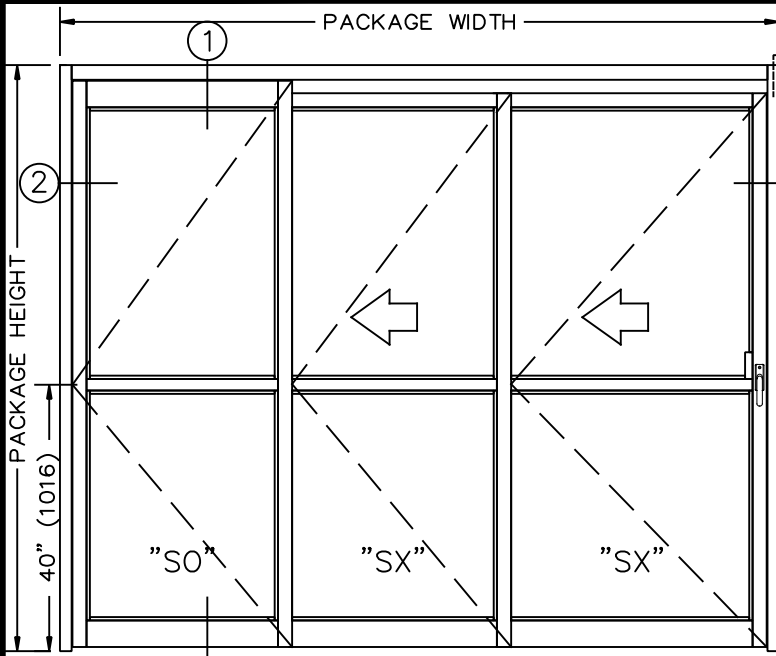


JOB NAME: _____ DATE: _____

DOOR LOCATION: _____ DOOR NO: _____ SHEET _____ OF _____



① VERTICAL SECTION

THREE PANEL FORMULAS (PANEL OVERLAP 2 5/8")
 LEAD SX-PANEL WIDTH = FRAME WIDTH/3 + 5"
 DOW = FRAME WIDTH - FRAME WIDTH/3 - 9.5"
 FRAME WIDTH = (DOW x 1.5) + 14.25"
 FULL BREAKOUT OPENING = FRAME WIDTH-11"

SAMPLE PACKAGE WIDTH INFORMATION

PKG. WIDTH	NOMINAL CLEAR DOOR OPENING	LEAD SX DOOR / PANEL NOM. WIDTH	FULL BREAKOUT NOM. WIDTH
7'-0" (2134)	46-1/2" (1181)	33" (838)	73" (1854)
8'-0" (2438)	54-1/2" (1384)	37" (940)	85" (2159)
9'-0" (2743)	62-1/2" (1588)	41" (1041)	97" (2464)

- NOTES:
1. DETAILS NOT TO SCALE.
 2. DOOR PACKAGES ARE INDIVIDUALLY ENGINEERED TO FIT YOUR JOB REQUIREMENTS.
 3. UNIT MAXIMUM HEIGHT 96" (2438) x MAXIMUM WIDTH 120" (3048).
 4. OPTIONAL BOTTOM SEAL - REQUIRED WHERE POSITIVE PRESSURE IS USED TO CONTROL THE MOVEMENT OF SMOKE.