

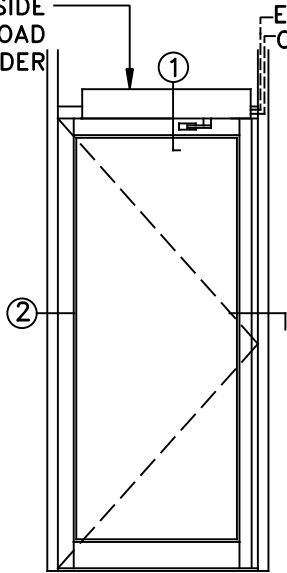


iMOTION® 1301 SWING DOOR OPERATOR

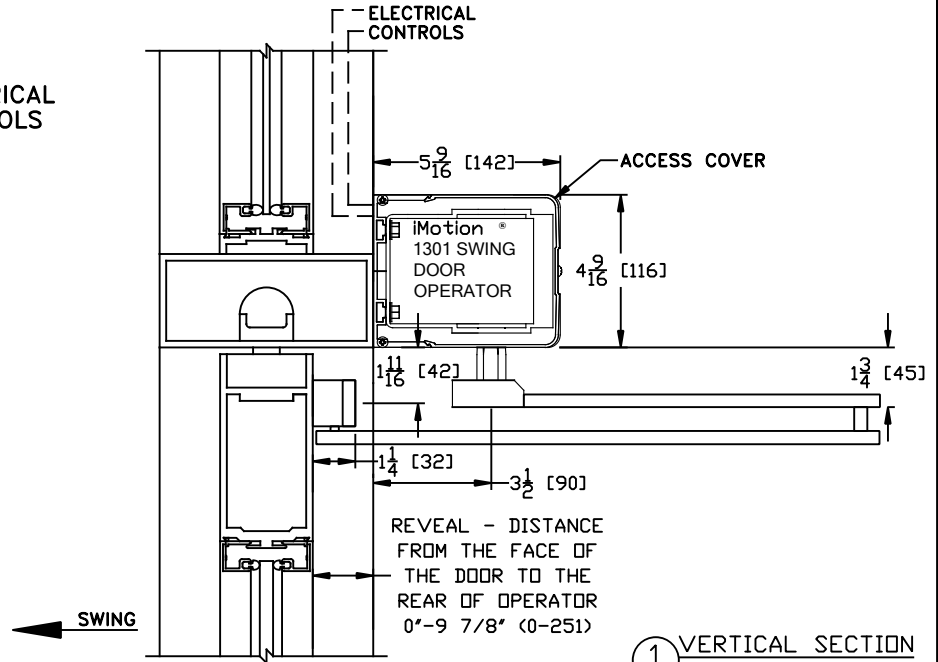
SINGLE DOOR, VISIBLE R.H. OUTSWING CENTER PIVOT APPLICATION

JOB NAME: _____ DATE: _____
 DOOR LOCATION: _____ DOOR NO: _____ SHEET ___ OF ___

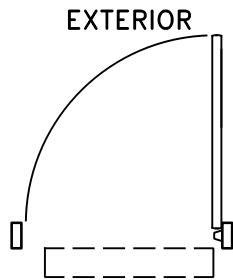
CU SERIES
200 SIDE
LOAD
HEADER



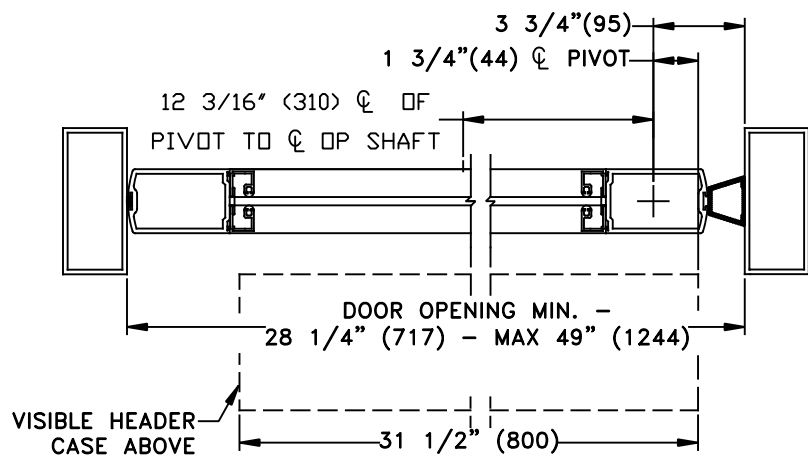
ELEVATION



① VERTICAL SECTION



INTERIOR PLAN



② HORIZONTAL SECTION

NOTES:

1. DETAILS NOT TO SCALE.
2. ELECTRICAL REQUIREMENTS:
120VAC, 5AMPS MIN. TO OPERATOR BY ELECTICAL CONTRACTOR.
3. DOORS, FRAMES AND HARDWARE BY OTHERS.
4. 32" CLEAR DOOR OPENING REQUIRED TO MEET A.D.A. REQUIREMENTS.
5. DOORS MUST BE NON-LATCHED FOR PROPER OPERATION.
6. OPERATOR HEADER IS AVAILABLE FOR FULL WIDTH DOOR APPLICATIONS.
7. OPERATOR CAN BE CONFIGURED TO MEET ANSI STANDARDS A156.10 & ANSI A156.19
8. DOOR CLOSED STOP REQUIRED BY OTHERS FOR OUTSWING DOOR.