

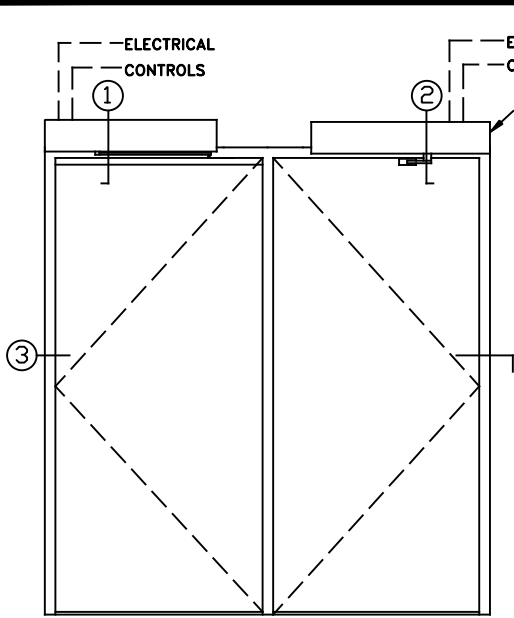


IMOTION® 1301 SWING DOOR OPERATOR

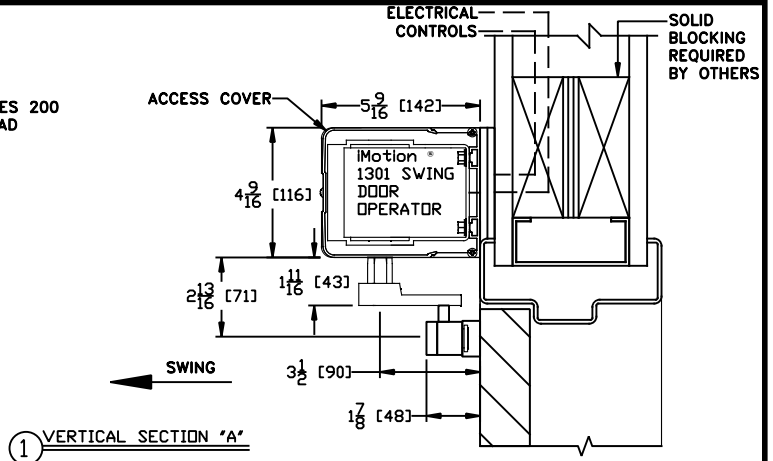
DUAL INDEPENDENT OPERATION, VISIBLE R.H INSWING, R.H. OUTSWING BUTT HUNG AND OFFSET PIVOT APPLICATION

JOB NAME: _____ DATE: _____

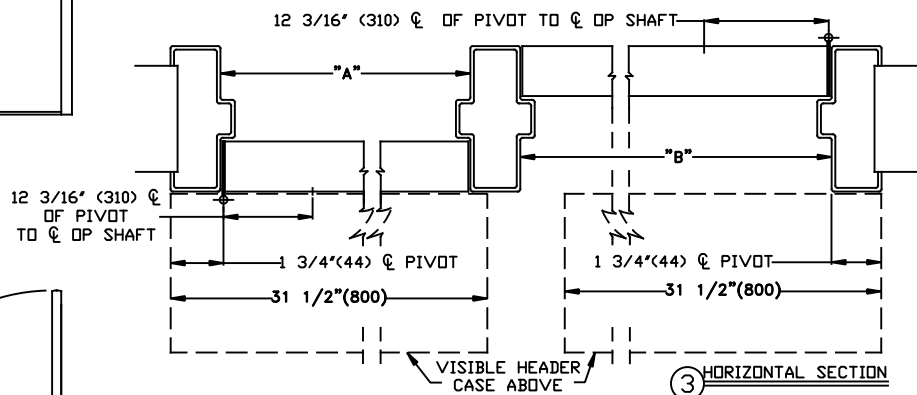
DOOR LOCATION: _____ DOOR NO: _____ SHEET _____ OF _____



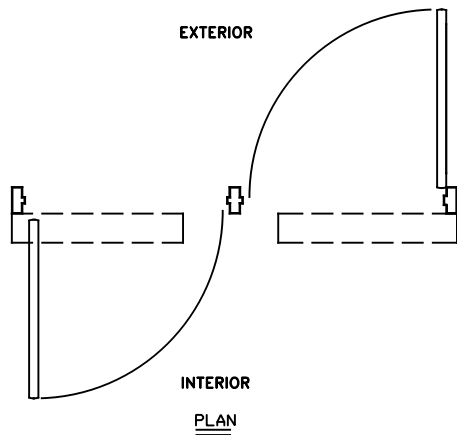
ELEVATION



① VERTICAL SECTION 'A'



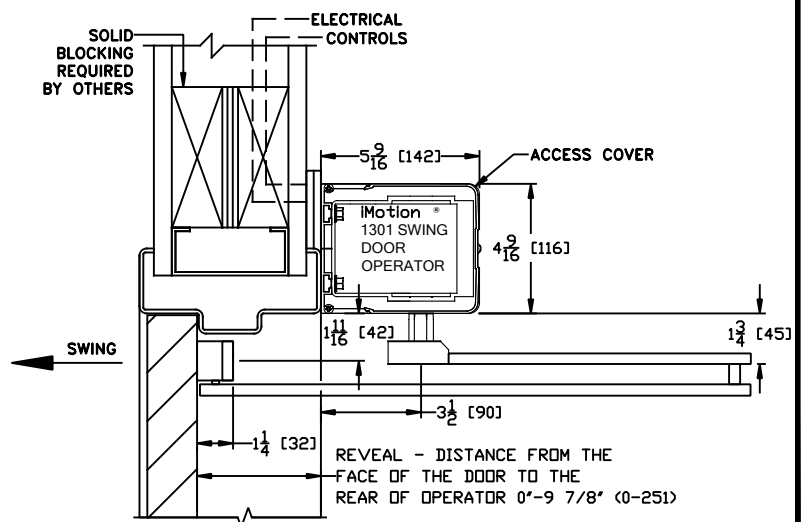
③ HORIZONTAL SECTION



EXTERIOR

INTERIOR

PLAN



② VERTICAL SECTION 'B'

DOOR OPENING BUTT HUNG
 A=MIN 30" (762) - MAX 48" (1219)
 B=MIN 24 1/2" (622) - MAX 48" (1219)

NOTES:

1. DETAILS NOT TO SCALE.
2. ELECTRICAL REQUIREMENTS:
 120VAC, 5AMPS MIN. TO OPERATOR BY ELECTRICAL CONTRACTOR.
3. DOORS, FRAMES AND HARDWARE BY OTHERS.
4. 32" CLEAR DOOR OPENING REQUIRED TO MEET A.D.A. REQUIREMENTS.
5. DOORS MUST BE NON-LATCHED FOR PROPER OPERATION.
6. OPERATOR HEADER IS AVAILABLE FOR FULL WIDTH DOOR APPLICATIONS.
7. OPERATOR CAN BE CONFIGURED TO MEET ANSI STANDARDS A156.10 & ANSI A156.19