

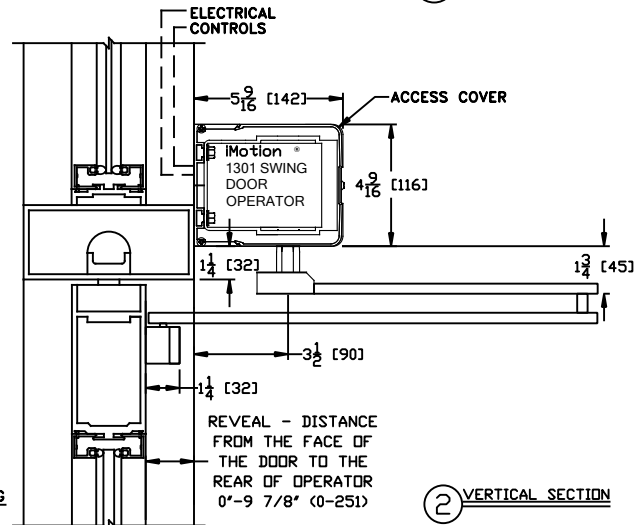
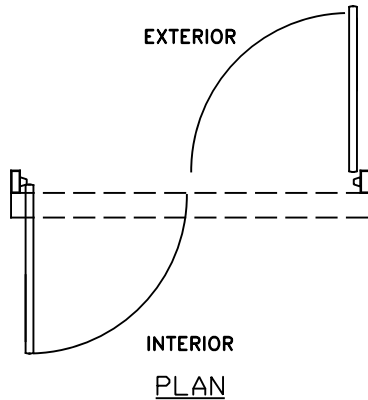
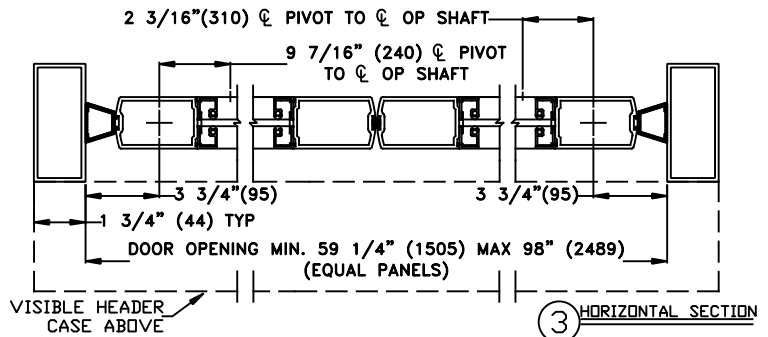
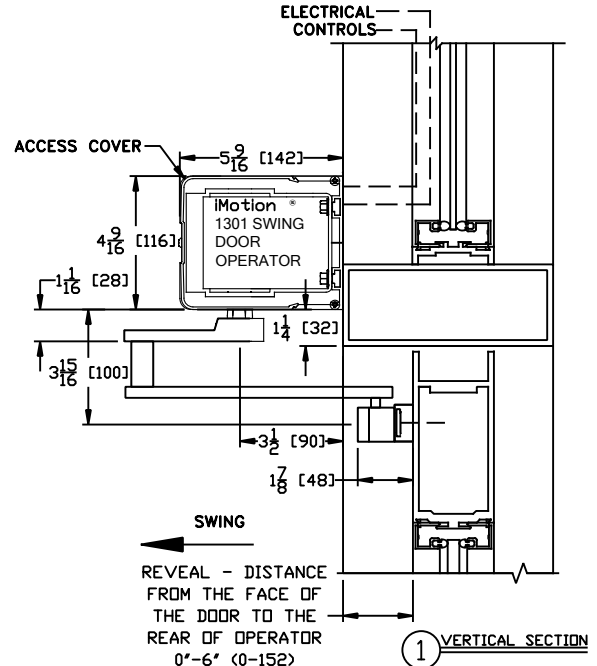
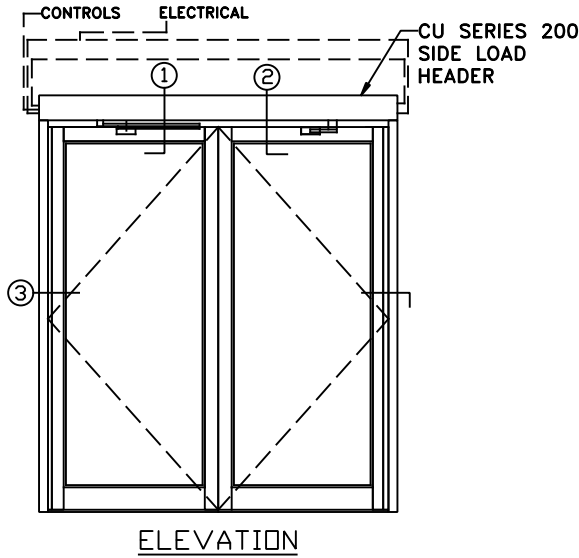


IMOTION® 1301 SWING DOOR OPERATOR

DOUBLE EGRESS W/CONT. HEADER, VISIBLE R.H. INSWING
R.H. OUTSWING, CENTER PIVOT NON PANIC APPLICATION

JOB NAME: _____ DATE: _____

DOOR LOCATION: _____ DOOR NO: _____ SHEET ____ OF ____



- NOTES:
1. DETAILS NOT TO SCALE.
 2. ELECTRICAL REQUIREMENTS: 120VAC, 5AMPS MIN. TO OPERATOR BY ELECTRICAL CONTRACTOR.
 3. DOORS, FRAMES AND HARDWARE BY OTHERS.
 4. 32" CLEAR DOOR OPENING REQUIRED TO MEET A.D.A. REQUIREMENTS.
 5. DOORS MUST BE NON-LATCHED FOR PROPER OPERATION.
 6. OPERATOR CAN BE CONFIGURED TO MEET ANSI STANDARDS A156.10 & ANSI A156.19
 7. DOOR CLOSED STOP REQUIRED BY OTHERS FOR INSWING & OUTSWING DOORS.