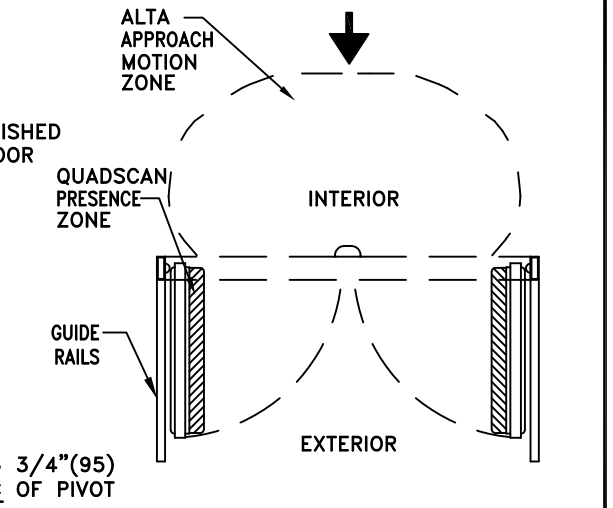
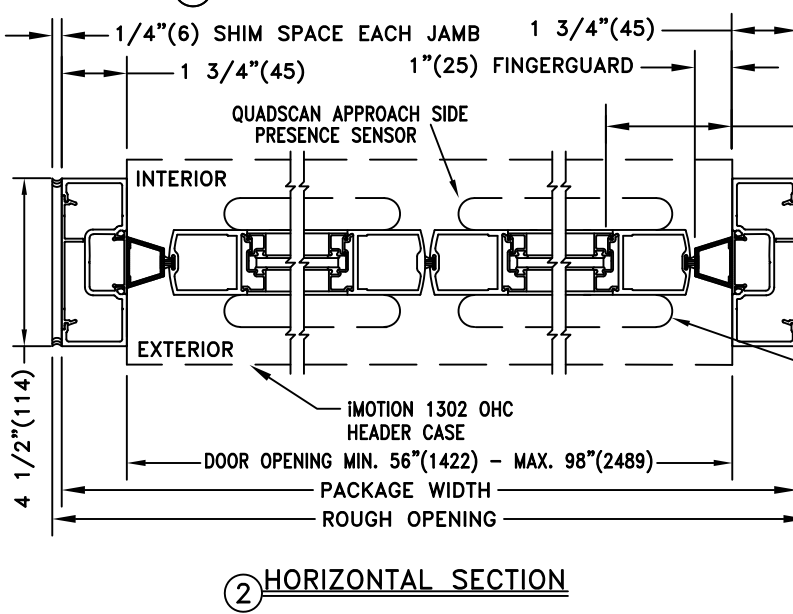
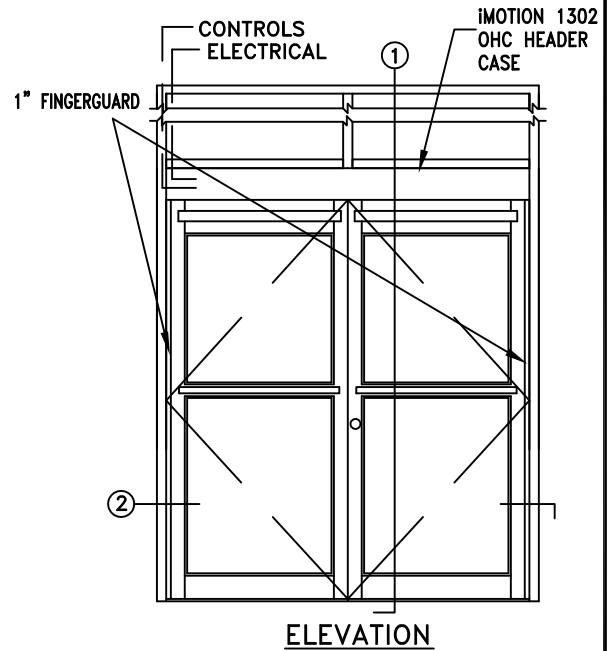
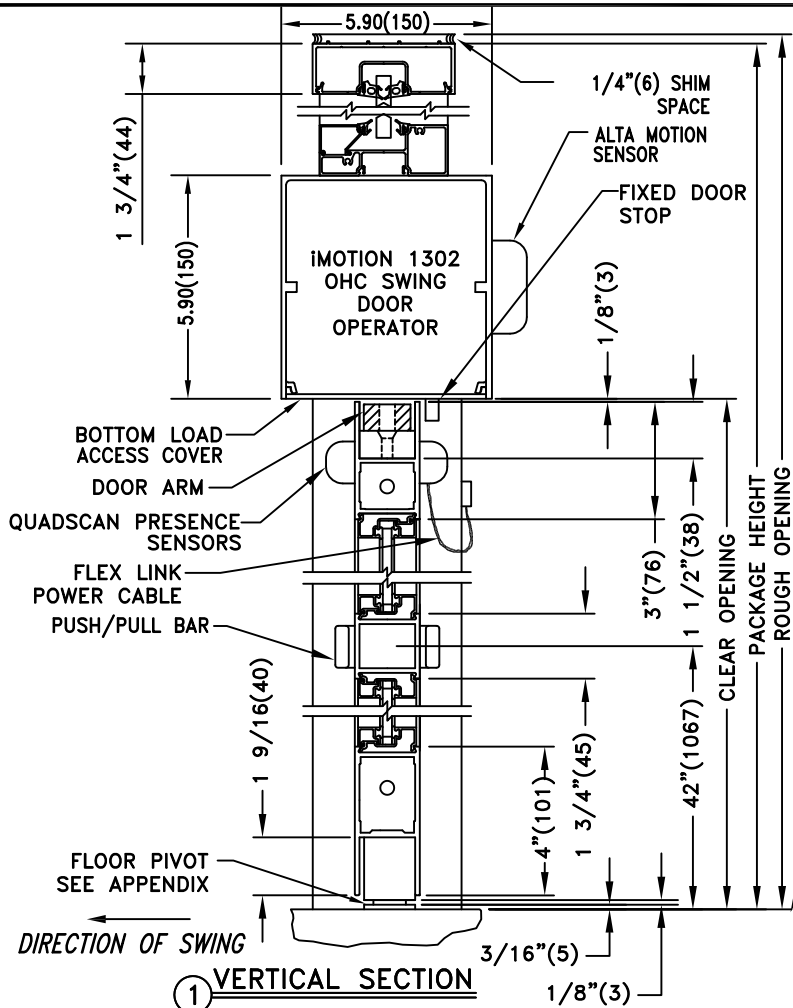


JOB NAME: _____ DATE: _____
 DOOR LOCATION: _____ DOOR NO: _____ SHEET _____ OF _____



- NOTES:**
1. DETAILS NOT TO SCALE.
 2. ELECTRICAL REQUIREMENTS: 120VAC, 5AMPS MIN. TO EACH OPERATOR BY ELECTRICAL CONTRACTOR.
 3. 32" CLEAR DOOR OPENING REQUIRED TO MEET A.D.A. REQUIREMENTS.
 4. DOORS MUST BE NON-LATCHED FOR PROPER OPERATION.
 5. DOORS FRAMES AND HARDWARE BY TORMAX TECHNOLOGIES.