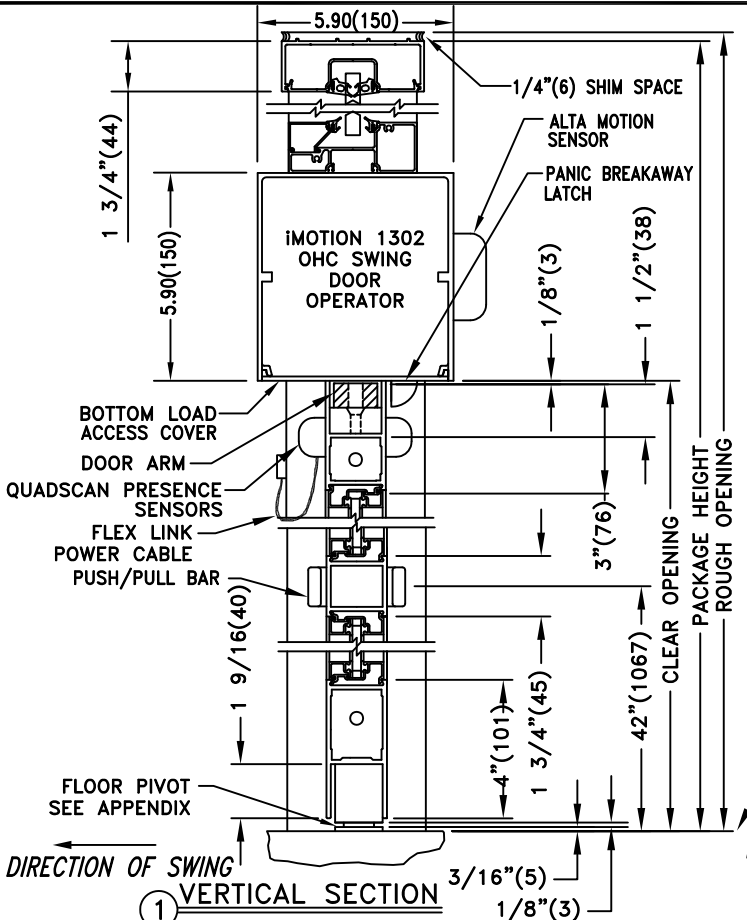


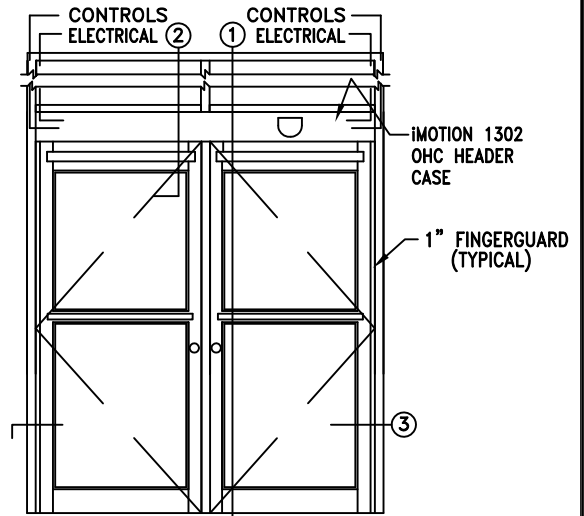
JOB NAME: \_\_\_\_\_ DATE: \_\_\_\_\_

DOOR LOCATION: \_\_\_\_\_ DOOR NO: \_\_\_\_\_ SHEET \_\_\_\_\_ OF \_\_\_\_\_

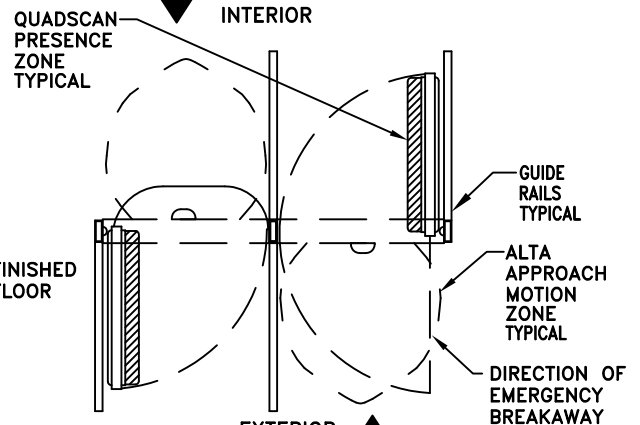


① VERTICAL SECTION

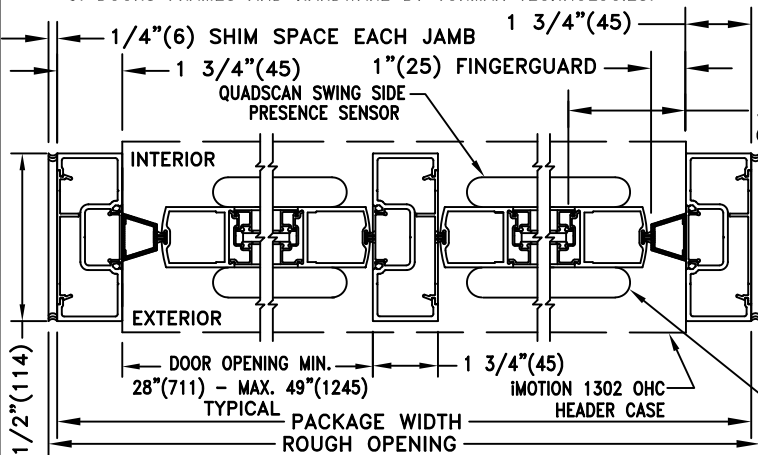
- NOTES:
1. DETAILS NOT TO SCALE.
  2. ELECTRICAL REQUIREMENTS:  
120VAC, 5AMPS MIN. TO EACH OPERATOR BY ELECTRICAL CONTRACTOR.
  3. 32" CLEAR DOOR OPENING REQUIRED TO MEET A.D.A. REQUIREMENTS.
  4. DOORS MUST BE NON-LATCHED FOR PROPER OPERATION.
  5. DOORS FRAMES AND HARDWARE BY TORMAX TECHNOLOGIES.



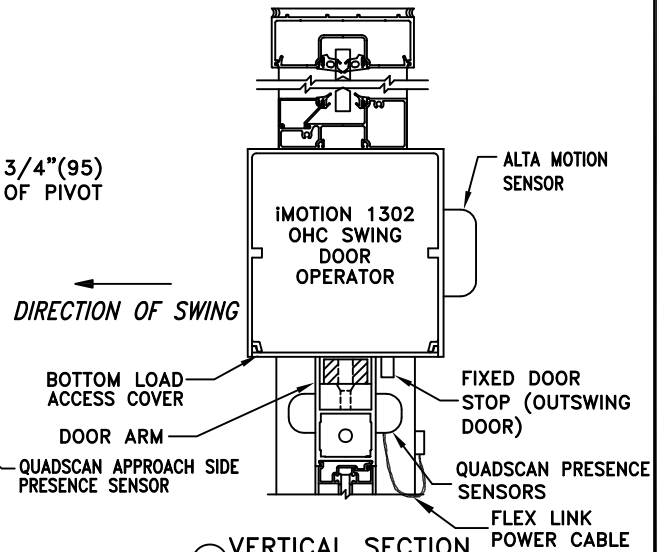
ELEVATION



PLAN



③ HORIZONTAL SECTION



② VERTICAL SECTION