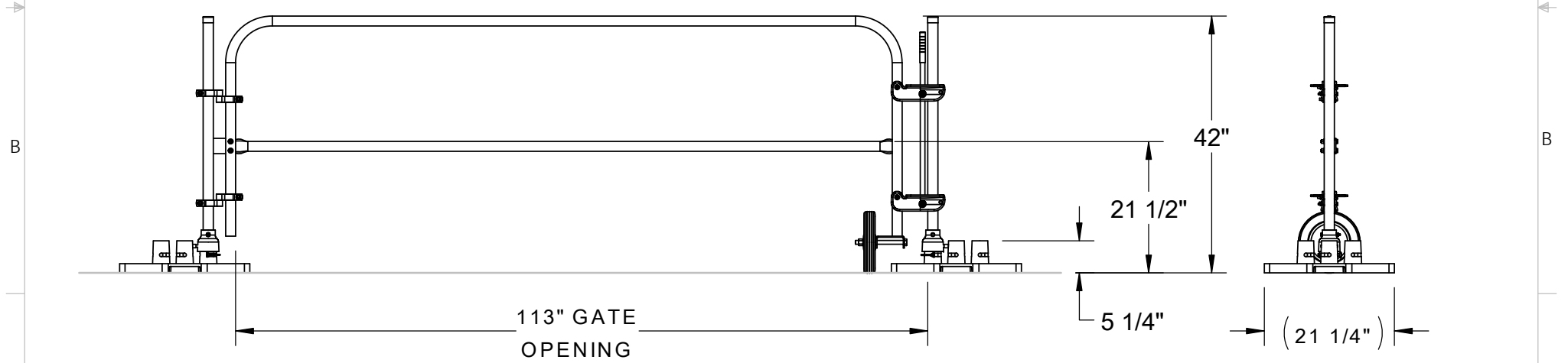
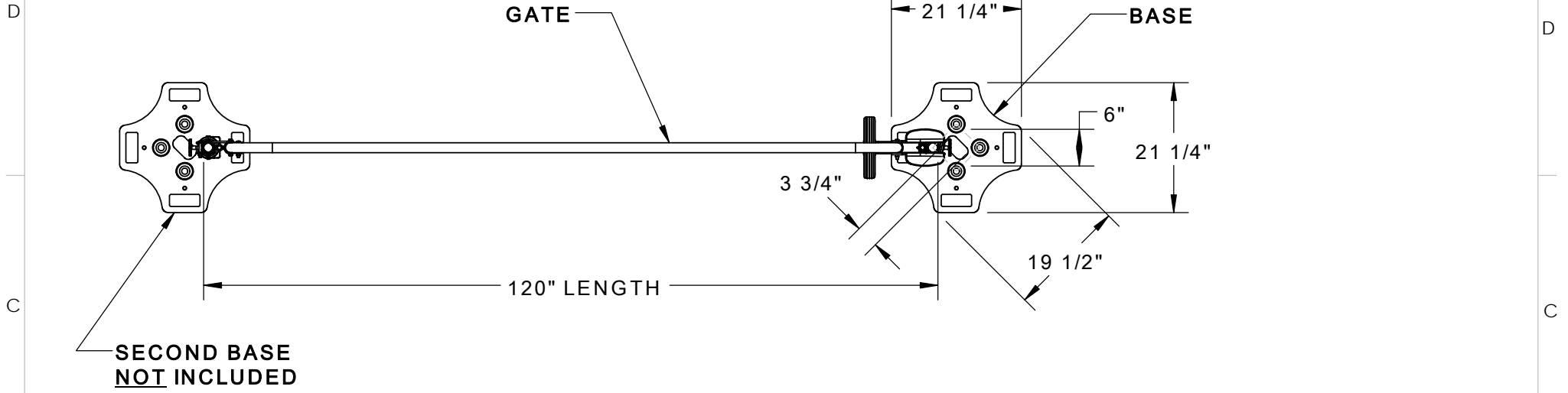


8 7 6 5 4 3 2 1



A A

Safety Products Group™
by Tractel®

BlueWater

4064 PEAVEY ROAD
CHASKA, MN 55318

Tel : 952-448-2935
Toll Free : 866-933-2935
Fax : 952-448-3685
info@bluewater-mfg.com
www.safetypg.com

DESCRIPTION		
10' GATE KIT - SAFETY RAIL 2000		
SIZE A	DWG. NO. 500013	REV. A
SCALE: DO NOT SCALE		SHEET 1 OF 1

8 7 6 5 4 3 2 1