

8 7 6 5 4 3 2 1

D

D

C

C

B

B

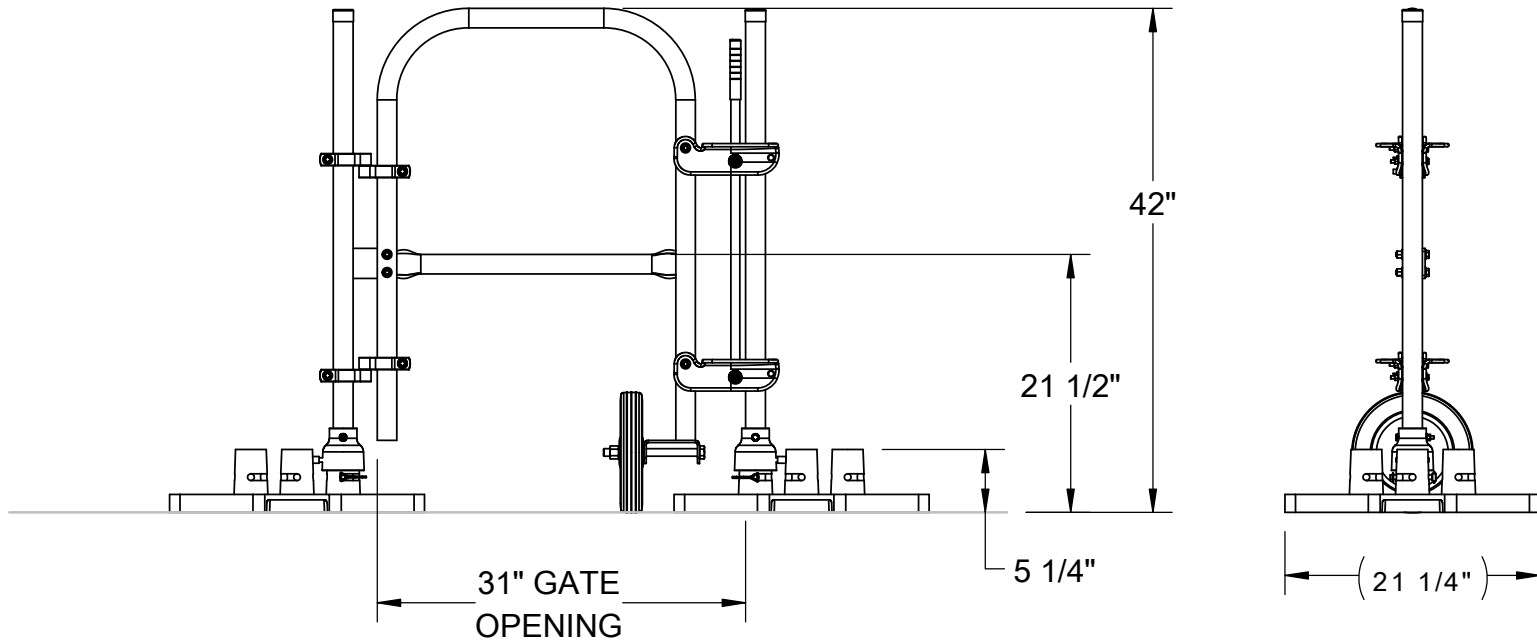
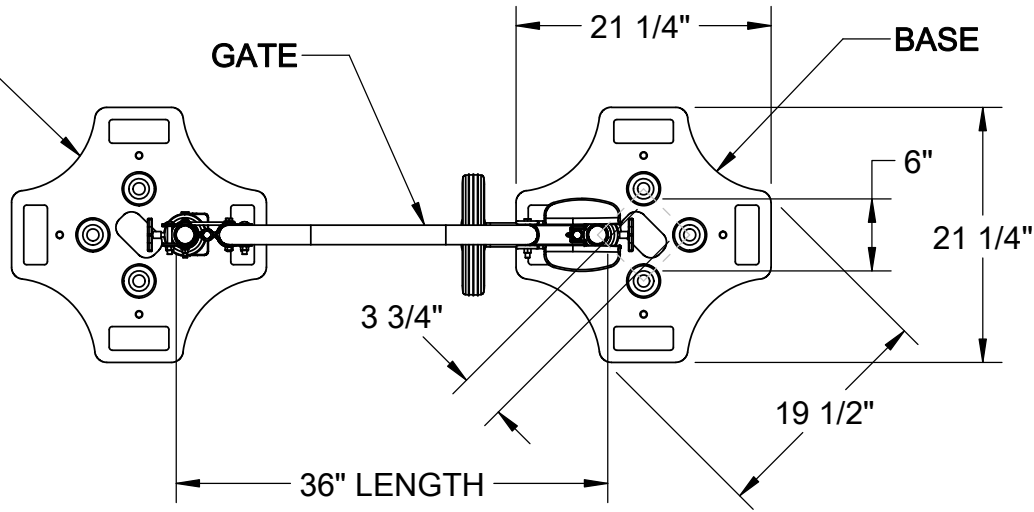
A

A

**SECOND BASE  
NOT INCLUDED**

**GATE**

**BASE**



**4064 PEAVEY ROAD  
CHASKA, MN 55318**

Tel : 952-448-2935  
Toll Free : 866-933-2935  
Fax : 952-448-3685  
info@bluewater-mfg.com  
www.safetypg.com

DESCRIPTION			
<b>3' GATE KIT - SAFETY RAIL 2000</b>			
SIZE A	DWG. NO. 500091	REV A	
SCALE: DO NOT SCALE		SHEET 1 OF 1	

8 7 6 5 4 3 2 1