

8 7 6 5 4 3 2 1

D

D

C

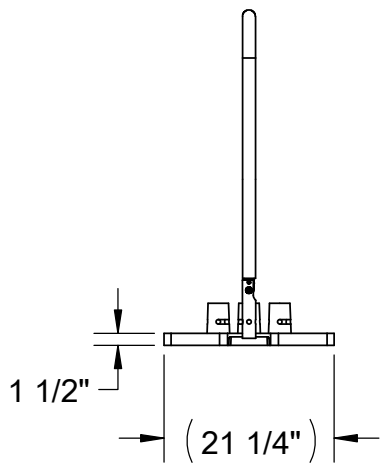
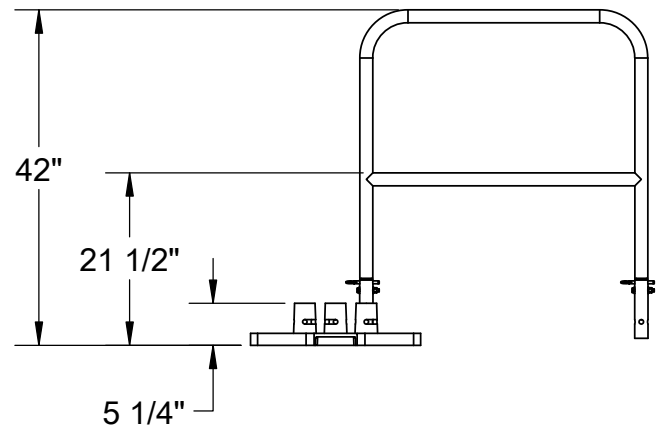
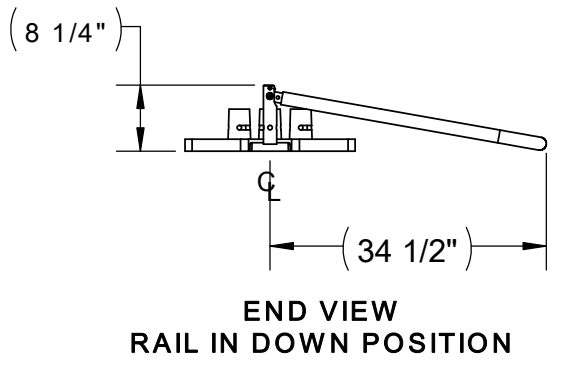
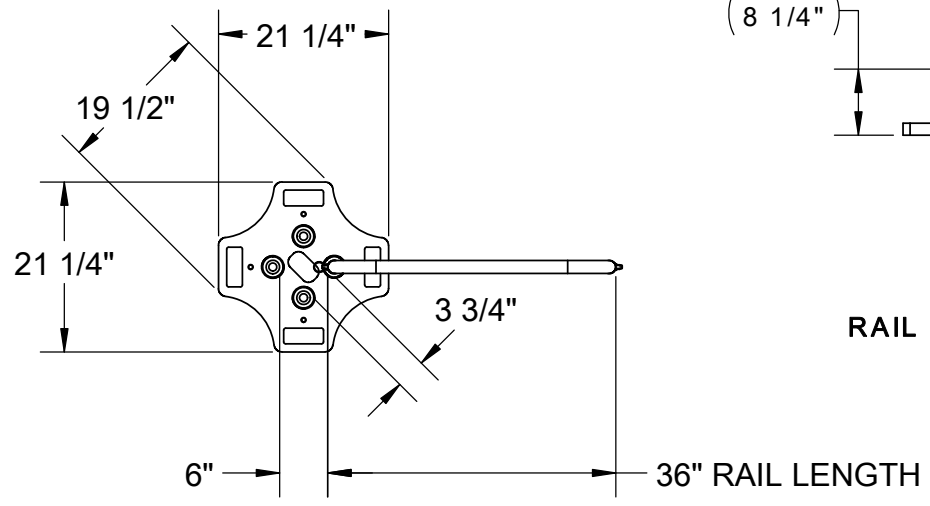
C

B

B

A

A



8 7 6 5 4 3 2 1

 **Safety Products Group™**
by Tractel®

 **BlueWater**

4064 PEAVEY ROAD
CHASKA, MN 55318

Tel : 952-448-2935
Toll Free : 866-933-2935
Fax : 952-448-3685
info@bluewater-mfg.com
www.safetypg.com

| | | | |
|---------------------|----------|---------|-----------|
| DESCRIPTION | | | |
| 3' STEALTH RAIL KIT | | | |
| SIZE A | DWG. NO. | 500259 | REV. A |
| SCALE: DO NOT SCALE | | SHEET 1 | OF 1 |