

8 7 6 5 4 3 2 1

D

D

C

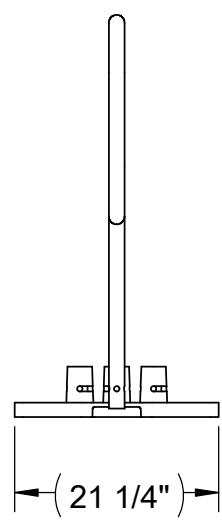
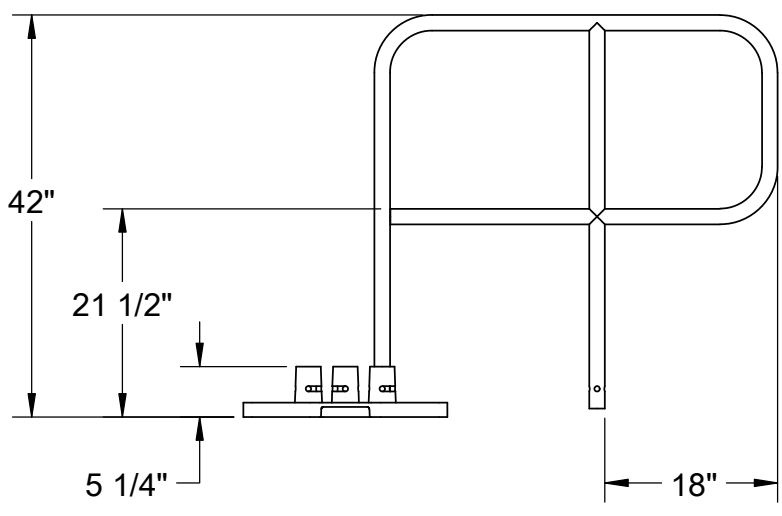
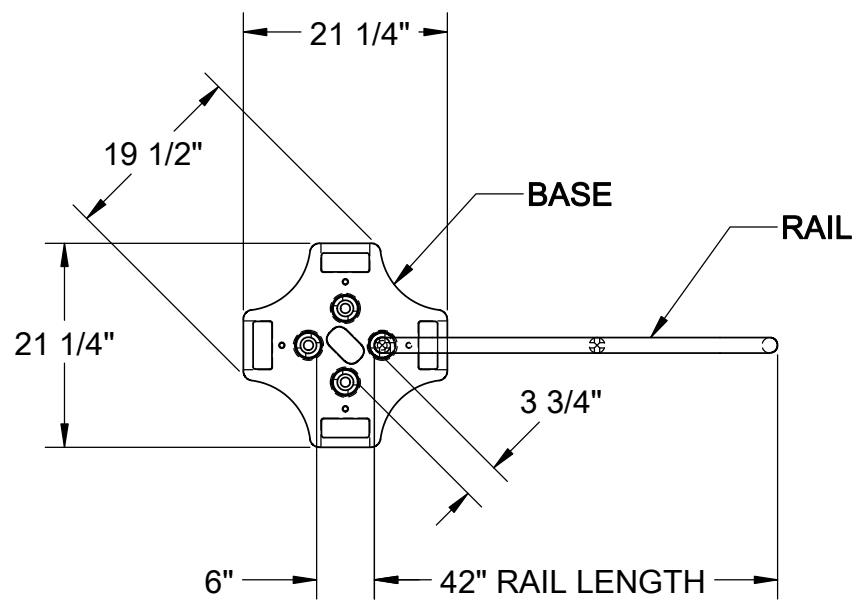
C

B

B

A

A




Safety Products Group™
 by Tractel®

4064 PEAVEY ROAD
CHASKA, MN 55318

Tel : 952-448-2935
 Toll Free : 866-933-2935
 Fax : 952-448-3685
 info@bluewater-mfg.com
 www.safetypg.com

DESCRIPTION		
3.5' FINISH RAIL KIT		
SIZE A	DWG. NO. 500627	REV. A
SCALE: DO NOT SCALE		SHEET 1 OF 1

8 7 6 5 4 3 2 1