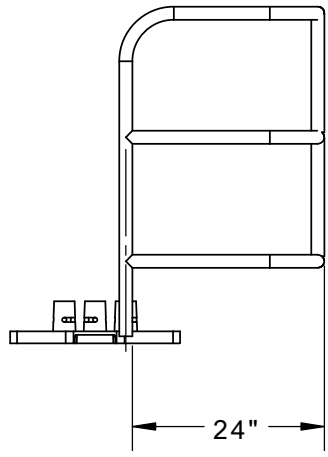
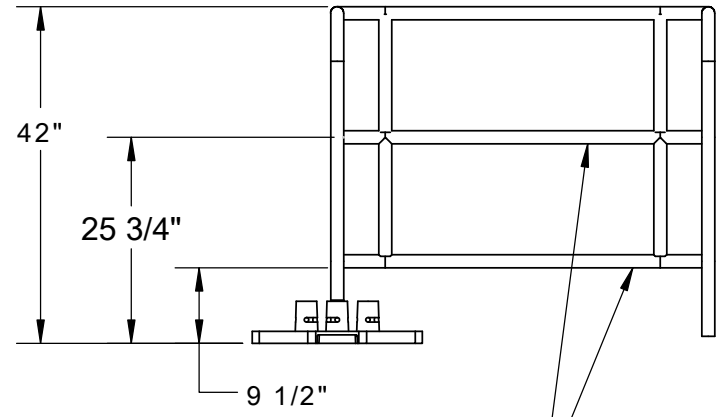
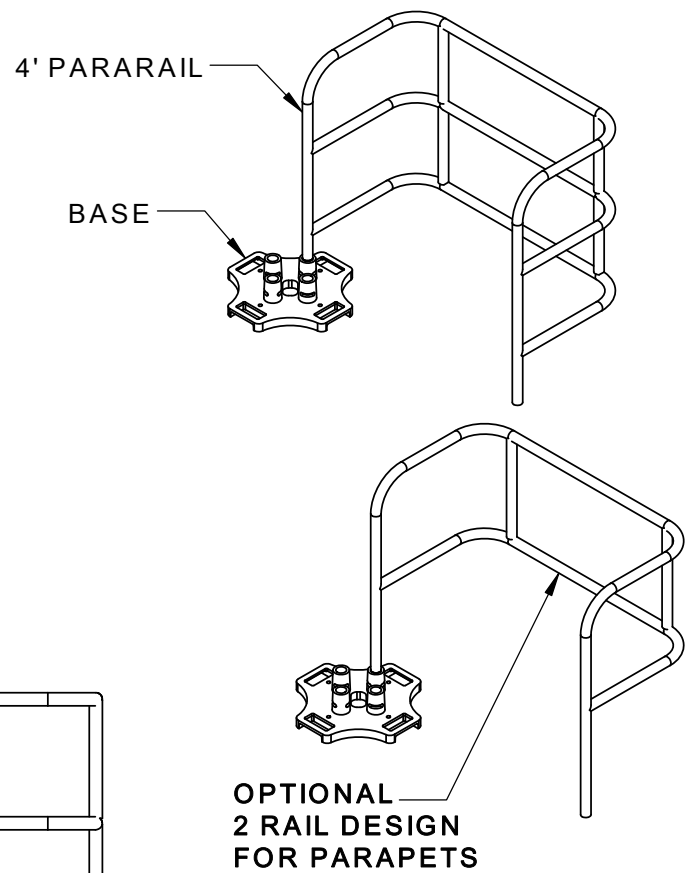
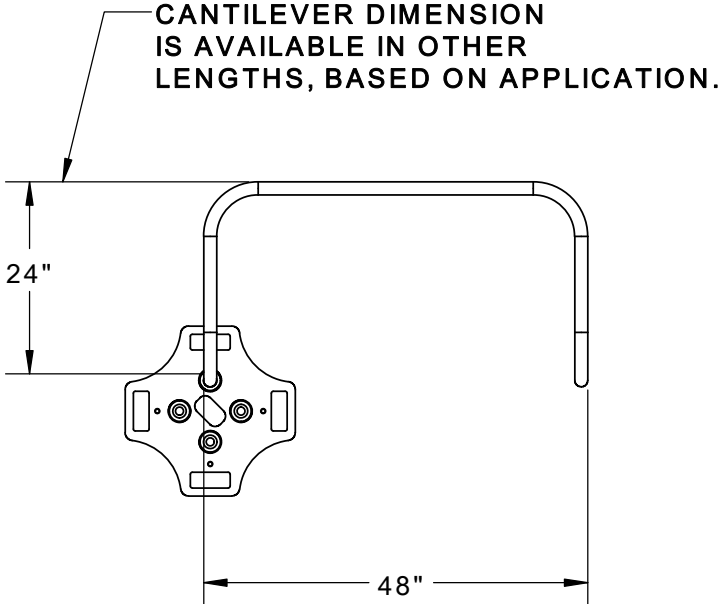


D

C

B

A



MID-RAIL & BOTTOM RAIL ARE WELDED IN PLACE BASED UPON THE HEIGHT OF THE PARAPET. DEPENDING ON THE HEIGHT OF THE PARAPET, THERE MAY BE ONLY 2 RAILS, TOP RAIL & MID-RAIL.

 <p>Safety Products Group™ by Tractel®</p>  <p>BlueWater</p> <p>4064 PEAVEY ROAD CHASKA, MN 55318</p>		DESCRIPTION <p>4' PARARAIL KIT - SAFETY RAIL 2000</p>	
		Tel : 952-448-2935 Toll Free : 866-933-2935 Fax : 952-448-3685 info@bluewater-mfg.com www.safetypg.com	SIZE A DWG. NO. 500150 SCALE: DO NOT SCALE